



EverFocus Electronics Corporation

2011

UK Product Catalogue Version 1



High Definition Surveillance



www.everfocus.com

EverFocus®

EverFocus Electronics Corp. is a leading manufacturer and integrated system solution provider of CCTV cameras, DVRs, IP surveillance solutions, access control systems and further CCTV and access control peripherals. EverFocus has global offices located around the world including the U.S.A (California & New York), Germany (Emmerich am Rhein), China (Beijing), Japan (Tokyo), India (Mumbai), Taiwan (Taipei) and the latest subsidiary EverFocus UK, located in London. EverFocus offers quality products, superior technical support, project design consultation, a certified dealer program, educational trainings and many more to meet the demands of our customers worldwide. We believe the key component to success lies in the development and quality of our products and excellent customer service.

Focused on You!

"Focused on You!" is a true description of EverFocus and our employees. We are constantly trying to redefine our role in the marketplace and the World. Our goal is for every product that we manufacture to be easily installed with minimal maintenance. Our extensive warranty is a testimony to the quality that we achieve on all of our products. Here at EverFocus we take one word to heart when describing our company as a whole: Focused. We are focused on your needs, on providing the industry with great products, and on innovation. When it comes to security equipment, go with the name you trust; go with the name that is Focused on your company.

Thank you for your continued support. We look forward to serving all of your security needs for many years to come.

EverFocus Product Series:



Notice:

© 2011 EverFocus Electronics Corp. The EverFocus trademark is registered by EverFocus Corp. All rights reserved. Product features and specifications are subject to change without notice. No parts or contents of this datasheet may be reproduced or transmitted in any form or by any means without permission from EverFocus.

- Not all models featured are available in all countries. For accessories and other products information, Please visit www.everfocus.com.tw
- Safety precaution: carefully read the operating instructions and installation manual before using this product
- EverFocus can not be responsible for network performance and/or other manufacturer products that resident on the network
- These products may be subject to export control regulations
- The above all photographs were taken for the purpose of explanation; actual images may differ
- Models vary in different countries, Please visit EverFocus regional websites for detailed ordering information.



Quality Management System
ISO9001 certifications



Quality Management System
ISO14001 certifications

* All product specifications are subject to change without notice

Table of Contents

HD CCTV

HD Digital Video Recorders

PARAGON HD	4
ENDEAVOR HD	6

HD Cameras

2 Megapixel Cameras	9
---------------------------	---

HD CCTV Accessories

HD-SDI Converter/Repeater/ Splitter	12
---	----

Analog CCTV

Digital Video Recorders 13

PARAGON264 Series	14
ENDEAVOR264 L4	16
ECOR264X1 Series	18
ECOR264D2 Series	20
H.264 ELR Series	22
DVR Accessories	24

Mobile Video Surveillance 26

Mobile Cameras	27
Mobile DVRs	34

PTZ Cameras 41

EPTZ Series	42
PTZ Accessories	51

Colour Cameras 52

Indoor IR Dome Cameras	53
Indoor Colour Dome Cameras	59
Outdoor Dome Cameras	65
Bullet Cameras (with IR)	70
Bullet Cameras (non-IR)	79
Box Cameras	81
Covert Cameras.....	86

IP Surveillance

2 Megapixel HD IP Cameras 90

Nevio Series IP Products

1.3 Megapixel IP Cameras	96
Super HAD CCD IP Cameras	97
EPN Series IP PTZ Cameras	102
NVR Software	103
IP Accessories	106

Accessories

Control Keyboards 110

DVR Storage Expansion 112

Hard Drive Reader 112

CCTV Lenses 113

LED Monitors 114

LCD Monitors 115

Mounting Brackets 121

Camera Housings 121

IR Illuminators 122

Accessories 126



HD CCTV

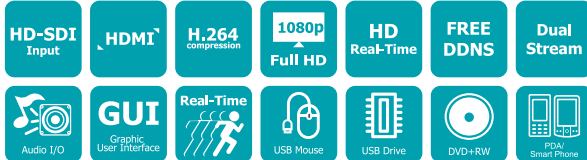
PARAGON HD

8 Channels HD Real-Time
Recording & Playback Megapixel Video Over Coax

NEW



HDcctv



Features

- Choice of 1080i or 720p HD CCTV camera support for superlative image clarity
- H.264 Compression format for efficient recording
- HD real time recording and playback rate for all cameras (at 720p)
- HDMI 1080p and VGA multiplex view main monitor outputs
- Simultaneous high resolution recording (1080p/720p) with reduced bandwidth remote view streaming
- MobileView support: check your home or business on-the-go from your PDA or SmartPhone
- Pentaplex operation (simultaneous live, recording, playback, archiving and remote viewing)
- Free EverFocus DDNS service—static IP address is not required for reliable remote access
- User friendly GUI with graphical icons and visual indicators
- Support for 4 fixed internal HDD plus and eSATA external HDD
- Multiple control inputs: mouse/front panel/IR remote controller/EKB500 keyboard
- Express setup: a unique menu option for quick & easy installation
- Express archive: archive video instantly (to USB) while playing back
- Express playback: simple point, click and drag the playback bar to view desired recordings
- Express search: use the intuitive playback bar with simple drag & drop operations
- Smart Search: Quickly identify motion in areas of interest from recorded video
- Snapshot search: Extract images from recorded video at specific intervals to quickly locate events
- Remote configuration support from the built-in web interface
- Gigabit Ethernet interface for remote network viewing and control
- On-screen PTZ control via mouse or front panel
- Per channel audio recording capabilities
- Built-in DVD burner
- 3 USB 2.0 ports for video archive and mouse usage
- Multi-language support
- 19" rack mountable (rack ears included)

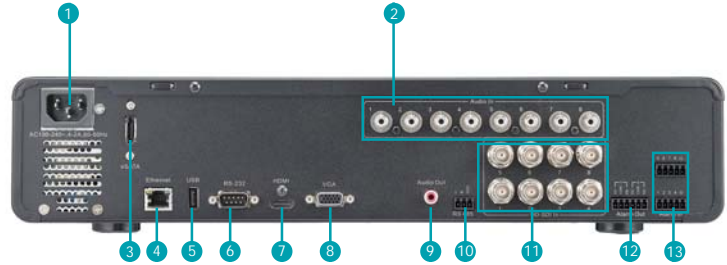
Specifications

HD-SDI Camera Video Inputs	8 BNC connectors
Recording Rate/Resolution	120/100fps@1080p; 15/12.5 per channel 240/200fps@720p; 30/25 per channel
Playback Rate/Resolution	15/12.5fps@1080p; 120/100fps@480x256 30/25fps@720p; 240/200fps@320x176
Compression Format	H.264
Dual Streaming	Yes
Mobile Viewing on PDA/Smartphone	Yes ; various platforms and browsers supported
Pentaplex Operation	Simultaneous Live, Recording, Playback, Archive and Remote Viewing
Video Output	Main Monitor 1080p HDMI +VGA
Audio Input/Output (RCA)	8 Inputs/1 Output
Recording Mode	Manual, Schedule and Event
Playback Search	Date/Time Search, Event Search, Smart Search, Snapshot Search
Alarm In	8 Alarm Inputs
Alarm Out	2 Alarm Outputs—Form "C" rated at 30VDC, 1A
Video Pause	Yes
Video Loss Detection	Yes
Motion Detection	Yes
Event Log	Yes
Watch Dog Timer	Yes
Internal HDD	4 Internal HDD
External HDD	1 eSATA
Built-in DVD Burner	Slim Type DVD Burner
User Interface	GUI (Graphical User Interface – easy mouse or front panel navigation)
OS	Embedded Linux
Network/Protocol	Gigabit Ethernet ; TCP-IP/DHCP/PPPoE/DDNS/UDP/SMTP/SSL/ RTP/RTSP/NTP
USB	3 USB 2.0 port (2 on Front Panel, 1 on Back Panel)
Schedule Setting	Supports Express and Advanced Schedule Setting
User Access	3 Levels of User Access Support
RS-232	9-pin D-Sub socket (male)
RS-485	1 RS485 (3 Terminal connector)
Power Source	100VAC~240VAC
Power Consumption	180W
Dimensions (L x W x H)	410 x 430 x 88 mm/16.2" x 16.9" x 3.5"
Operating Temperature	0°C~40°C/32°F~104°F (20~80% humidity)
Certificates	CE, FCC, UL
Supported PTZ Protocols	EverFocus, Pelco D, Pelco P, Samsung, Transparent

Major Operating Controls

- | | |
|-----------------------|---------------------------|
| 1 Main Power Plug | 8 VGA Monitor Out |
| 2 Audio In (8) | 9 Audio Out |
| 3 eSATA | 10 RS-485 Connector |
| 4 Network Connector | 11 HD-SDI Video Input (8) |
| 5 USB Slot | 12 Alarm Out (2) |
| 6 RS232 Connector | 13 Alarm In (8) |
| 7 HDMI Monitor Output | |

Rear View



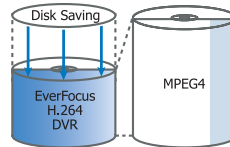
• Front & back panel controls vary depending on models

Advantages

Real-time High Definition Resolution Recording over COAX

Deliver and record High Definition image quality using traditional coaxial cable*! Retain plug-and-play ease of installation: select leading edge EverFocus HD CCTV cameras that use the advanced HD-SDI transfer format to send full HD, megapixel resolution digital video over the same coax* that once carried only standard definition video. The Paragon HD DVR makes a tremendous leap forward in image quality by providing more than 6 times higher resolution than SD DVRs to record and playback HD image quality at 240/200 FPS that were carried over COAX. The Paragon HD DVR also provides HD quality still image recording in response to event notifications.

► Comparison



H.264 Compression Technology

H.264 compression technology is considered to be approximately 1.5 times more efficient in compression ratio than MPEG4. Another benefit from H.264 compression is the remote viewing of high quality images with lower LAN/WAN bandwidth utilization.

Pentaplex operation plus Dual streaming

For optimized system performance, the Paragon HD DVR can simultaneously record HD resolution on all 8 cameras at 30/25 FPS. It also automatically employs dual streaming for remote multiplex displays, reducing the image size in the DVR to efficiently deliver 30/25 FPS on all cameras for full motion simultaneous remote viewing of up to 8 cameras. Thus it can achieve HD real time recording and playback locally, and still deliver smooth remote motion reproduction during network playback in low bandwidth environments.

Convenient Monitoring with web-viewer

The Paragon HD DVR has a built-in web server that enables users to monitor live and playback DVR images without special software, through a web browser from any supported PC.

Video Streaming to Mobile Devices

The Paragon HD DVR supports http streaming for MAC and PDA/SmartPhone monitoring on a variety of PC's and mobile devices, allowing you the capability to check your home or business on-the-go directly from a variety of mobile devices – FREE! No additional servers or purchased programs required.



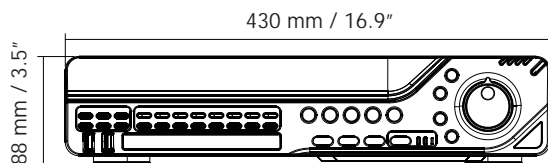
Mobile Device

HDMI and VGA multiplex monitor outputs

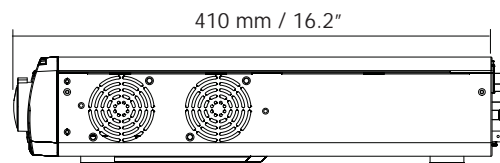
Full HD 1920x1080 provides superior picture performance on a massive scale, with two entire megapixels of resolution allocated to monitor display. HDMI and VGA digital outputs render stunning images from any resolution, and enhances motion reproduction to deliver smoother and crisper looking video.

Dimensions

Front View



Side View



* Models vary in different countries. Please visit EverFocus regional websites for detailed ordering information

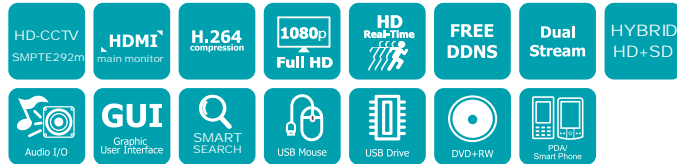
* All product specifications are subject to change without notice

ENDEAVOR HD+SD DVR

HD+SD CCTV Hybrid Real Time
Megapixel and Standard Video over Coax



HDcctv



HD CCTV DVR

Features

- Both HD-CCTV Megapixel Video Inputs and Analog Video Inputs
- Choose 720p or 1080p HD resolution recording for HD-CCTV Video Inputs up to 30
- FPS/camera
- H.264 Compression format to minimize optimize disk space consumption
- Dual streaming to optimize remote viewing bandwidth utilization
- Real time recording rate and playback rate - up to 30fps@D1 on analog and 30fps@HD on
- HD-CCTV
- Recording resolution and rate can be set independently for each camera, and changed via
- user defined schedule
- Multiple Main Monitors : HDMI 1080p / VGA (1920x1080) output for stunning image clarity
- Pentaplex Operation (Simultaneous live, recording, playback, archiving and remote viewing)
- User friendly GUI with graphical icons and visual indicators
- Free EverFocus DDNS Service static IP address is not required for reliable remote access
- Supports eSATA external HDD array (EDA450)
- Supports remote/mobile monitoring via PC browsers, Smartphones and iPhone/Android apps
- Multiple Control Inputs: mouse/front panel/ IR remote control/EKB500 keyboard
- Express Setup: A unique menu option for quick & easy installation and setup
- Express Playback: Simply point, click and drag the playback bar to view desired recordings
- Express Archive: Archive video instantly (to USB) while playing back
- Express Search: Use the intuitive playback bar with simple drag & drop operations
- Smart Search: Review recorded video to identify motion in area(s) of interest
- Snapshot search: choose an interval and direction, view a series of snapshots to quickly
- isolate incidents
- Remote configuration support from built-in web interface
- Gigabit Ethernet interface for remote network viewing and control
- Audio recording capabilities
- Up to 4 internal HDDs
- Built-in DVD burner
- 2 USB 2.0 ports for video archive and mouse usage
- Multi-language support
- Watermark capabilities to identify intentional modifications of recorded data
- Compatible with FREE EverFocus Central Management Software
- USB Mouse and IR remote control included
- 19" Rack mountable – rack ears included

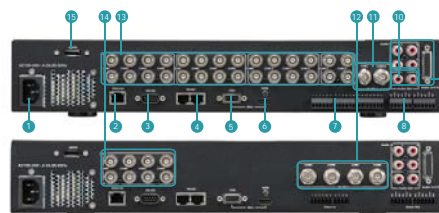
Specifications

	EDR HD-2H14	EDR HD-4H4
HD-CCTV Camera Inputs	2 BNC SMPTE292m compliant	4 BNC SMPTE292m compliant
Analog Camera Inputs	14 BNC	4 BNC
Looping Analog Camera Outputs	14 BNC	4 BNC
Compression Format	H.264	
Dual Streaming	Yes (Configurable)	
HD Recording Rate/Resolution	30fps NTSC / 25ps PAL(1080p)	60fps NTSC / 50ps PAL(1080p)
<small>Choose one resolution for both channels</small>	60fps NTSC / 50ps PAL(720p)	120fps NTSC / 100ps PAL (720p)
Analog Recording Rate/Resolution	420fps NTSC / 350ps PAL(D1)	120fps NTSC / 100ps PAL(D1)
<small>Resolution and rate can be set independently per camera up to the total D1 recording capacity</small>		
HD Playback Rate/Resolution	Up to 30fps NTSC / 25fps PAL	Up to 45fps NTSC / 37.5fps PAL
	Up to 60fps NTSC / 50fps PAL	Up to 90fps NTSC / 75fps PAL
Analog Playback Rate/Resolution	Up to 420fps NTSC / 350fps PAL(D1)	Up to 120fps NTSC / 100fps PA(D1)
Mobile View	Live view on PDA or Smart Phones (MobileFocus FREE app for iPhone® and Android™) plus various web browsers	
Pentaplex Operation	Simultaneous Live, Recording, Playback, Archive and Remote Viewing	
Main Monitor Outputs(simultaneous display)	1080p HDMI (socket Type A 19 pin female) and VGA 1920 x 1080 @ 60 Hz (D-Sub socket 15 pin female)	
Audio Inputs	16 Inputs (RCA, line level)	8 Inputs (RCA, line level)
Audio Outputs	2 Outputs (RCA, line level)	
Recording Modes	Manual, Schedule and Event	
Playback Search	Date/Time, Event, Tex, Smart, Snapshot	
Alarm Inputs	16	8
Alarm Outputs	4 Alarm Outputs – Form "C" rated at 30VDC, 1A	
Video Pause	Yes	
Video Loss Detection	Yes	
Motion Detection	Yes	
Event Log	Yes	
Watch Dog Timer	Yes	
Internal HDD Support	4 Internal HDD (up to 8Tb max at time of printing)	
External HDD Support	1 eSATA	
DVD Drive	DVD RW Built In	
User Interface	Colour GUI (Graphical User Interface)	
OS	Embedded Linux	
Network/Protocol	Gigabit Ethernet; TCP-IP / DHCP/ PPPoE / DDNS / UDP / SMTP / SSL / HTTP / NTP / ICMP / ARP	
Control PTZ via OSD	Local and via web interface	
USB	2 Front Panel USB 2.0 port	
Schedule Setting	Support Express and Advanced Schedule Setting	
User Access	3 Levels of User Access Support	
RS-232	9-pin D-Sub socket (male)	
RS-485	1 RS485 (2 RJ45 connector)	
Power Source	100VAC~240VAC	
Power Consumption	110W max. with 4 x HDD	
Dimensions (L x W x H)	423 x 430 x 79.5 mm / 16.6" x 16.9" x 3.2"	
Temperature	0°C~40°C / 32°F~104°F (20~80% humidity)	
Certificates	CE, FCC, UL (pending)	
Supported PTZ Protocols	EverFocus, Pelco D, Pelco P, Samsung, Transparent	

Major Operating Controls



- | | | |
|--|-------------------------|-------------------------|
| 1 Remote Control Receiver | 9 Zoom | 17 FF / Next Step |
| 2 Channel Key (1~16 CH) (2H14 CH only) | 10 Menu Navigation Keys | 18 Play / Pause |
| 3 Channel Key (1~8 CH) (4H4 CH only) | 11 Copy | 19 Stop |
| 4 DVD Eject | 12 Jog/Shuttle Dials | 20 Pause / Reverse Play |
| 5 View | 13 System LEDs | 21 Prev Step / FR |
| 6 Sequence | 14 Search | 22 USB Ports |
| 7 Display | 15 Menu/ESC | |
| 8 Monitor Control | 16 DVD Burner | |



- | | |
|-----------------------------|--|
| 1 Main Power Plug | 9 Audio In 4x RCA; others on DIN connector |
| 2 Network Connector | 10 Audio Out |
| 3 RS232 Connector | 11 HD-CCTV Video In (CH 15~16)(2H14 only) |
| 4 RS485 Connectors | 12 HD-CCTV Video In (CH 5~8)(4H4 only) |
| 5 VGA Main Monitor Out | 13 Analog Video Input and Looping (CH 1~14)(2H14 only) |
| 6 HDMI Main Monitor Out | 14 Analog Video Input and Looping (CH 1~4) (4H4 only) |
| 7 Alarm In (one per camera) | 15 eSATA |
| 8 Alarm Out | |

Advantages

Hybrid Real-Time High & Standard Definition Resolution Recording over COAX

Deliver and record both High & Standard Definition image quality using traditional coaxial cable*! Retain plug-and-play ease of installation: select leading edge EverFocus HD-CCTV cameras that use the advanced HD-CCTV transfer format to send full HD, megapixel resolution digital video over the same coax* that once carried only standard definition video. The ENDEAVOR HD+SD DVR delivers "hybrid" recording that allows SMPTE292m compliant HD-CCTV cameras and conventional analog cameras to be recorded on the same DVR. This unique platform provides a gradual migration path to High Definition video recording while still supporting the use of existing analog equipment.

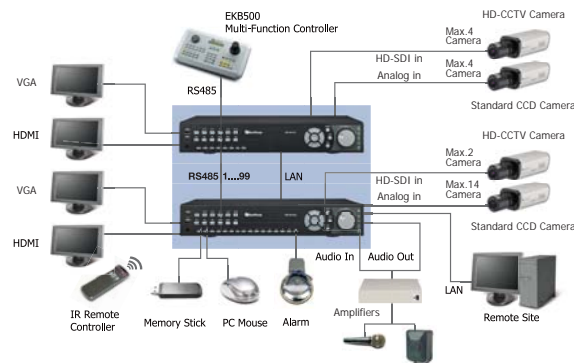
*Up to 500 feet, longer distances with extenders



HDMI and VGA Multiplex Monitor Outputs

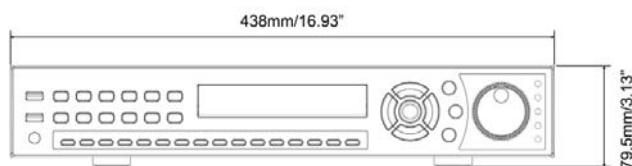
Full HD 1920x1080 provides superior picture performance on a massive scale, with two entire megapixels of resolution allocated to monitor display. HDMI and VGA digital outputs render stunning images from any resolution, and enhance motion reproduction to deliver smoother and crisper looking video.

System Configuration

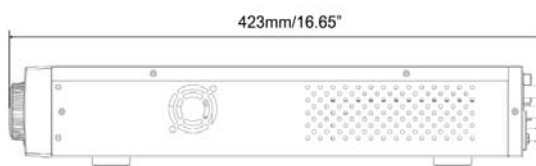


Dimensions

Front View



Side View



* Models vary in different countries. Please visit EverFocus regional websites for detailed ordering information

* All product specifications are subject to change without notice

EQH5200

2 Megapixel, HD-SDI, Indoor Full HD CCTV Box Camera

NEW



2.0 Megapixel	720p60 1080i60	Dual Output HD-SDI/ TV Out	AWB OSD Setting	OSD	BLC ON/OFF
True Day/Night	Indoor	POWER 12VDC/24VAC	ES 1/50(1/60)~ 1/8,000	AGC ON/OFF	

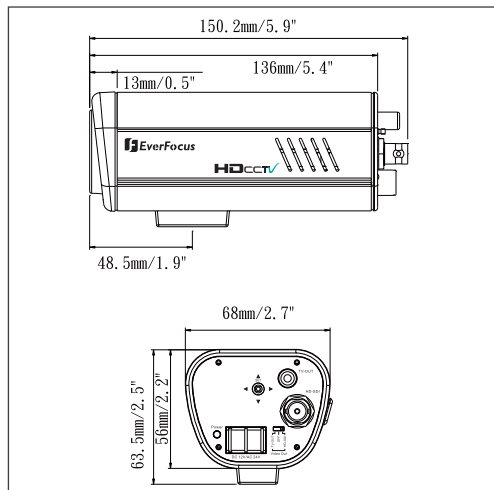
Features

- HD-CCTV 2 Megapixel real time 1080i HD video over coax
- 2 megapixel progressive scan CMOS sensor
- Supports video outputs of 720p and 1080i
- Lens Types: supports DC and manual iris lenses, CS mount (C mount adapter ring included)
- True day/night mode selectable with automatic ICR module
- Easy to use OSD setup menu
- Dual Video Output: Megapixel HD-SDI (BNC) plus SD TV Out (RCA) for installation
- Dual Power Source 12VDC/24VAC dual voltage

Specifications

Pickup Device	1/2.5" 2 megapixel CMOS sensor
Sensitivity	0.02lux/F=1.2 (AGC ON)
S/N Ratio	38.1dB
Video Format Main Output	HD-SDI/HD-CCTV
Resolution Main Output	1920x1080@50i or 60i; 1280x720@50p or 60p
Video Mode Main Output	Field select 1080i or 720p
Main Output Connector	BNC-F
Video Format Test Output	NTSC/PAL selectable 1Vp-p
Test Output Connector	RCA-F
Electronic Shutter	1/60 (1/50) ~ 1/8000
Lens Type	CS mount (Adapter included for C-mount ; lens sold separately)
Back Light Comp.	On/Off selectable
Auto Gain Control	High/Middle/Low/Off selectable
Auto White Balance	AWB/One Push WB/Manual WB/Indoor/Outdoor
Gamma Correction	PC / TV Selectable
Iris Control	Auto, -2.0EV ~ 2.0EV
OSD Menu	Yes (controlled from rear 5-axis joystick control)
True Day/Night Control	Yes (Auto IR cut filter removal)
Mirror	H_MIR/ V_MIR
Power Source	12VDC/24VAC
Power Consumption	24VAC: 6W max. ; 12VDC: 6W max.
Dimensions (incl. BNC) (W x H x D)	68mm x 56mm x 146mm/2.7" x 2.2" x 5.7"
Weight	0.4kg/0.9 lbs
Operating Temperature	0°C ~ 45°C/32°F ~ 113°F (20% ~ 80% Humidity)
Certificates	CE, FCC

Dimensions

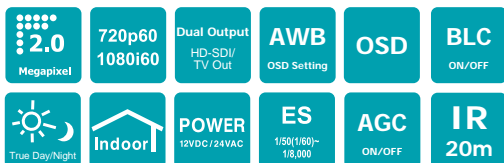


EDH5240

2 Megapixel, HD-SDI, Indoor
Full HD CCTV IR Dome Camera



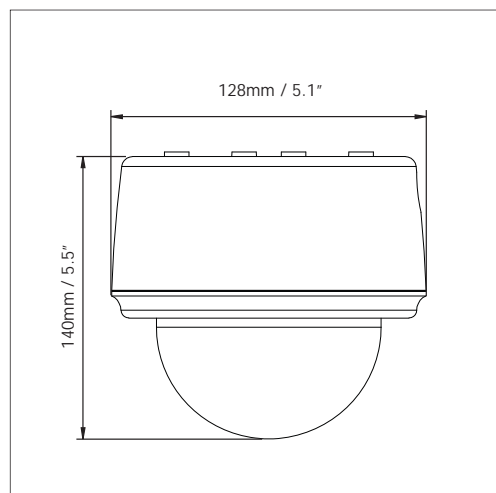
HD CCTV



Features

- HD-CCTV 2 Megapixel real time 1080i HD video over coax
- 2 megapixel progressive scan CMOS sensor
- Supports video outputs of 720p and 1080i
- Lens Types: supports DC and manual iris lenses, CS mount (C mount adapter ring included)
- True day/night mode selectable with automatic ICR module
- Easy to use OSD setup menu
- Dual Video Output: Megapixel HD-SDI (BNC) plus SD TV Out (RCA) for installation
- Dual Power Source 12VDC/24VAC dual voltage
- May be attached to wall or ceiling; flush or surface mounted
- Equipped with 34 IR LEDs for day and night environments
- IR distance up to 66 feet (20m; depending on surface reflectivity)

Dimensions



Specifications

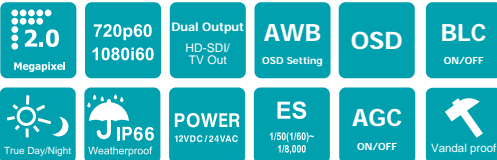
Pickup Device	1/3" 2 megapixel CMOS sensor
Sensitivity	0.5lux/F=1.4
S/N Ratio	45dB
Video Format Main Output	HD-SDI/HD-CCTV
Resolution Main Output	1920x1080/2 Megapixel/1080i or 1280x720/1 Megapixel/720p
Video Mode Main Output	Field select 1080i or 720p
Main Output Connector	BNC-F
Video Format Test Output	NTSC/PAL selectable 1V p-p
Test Output Connector	RCA-F
Electronic Shutter	1/60(1/50)~1/8000
Lens Type	"Vari-focal lens, Auto Iris f=3.3~12mm"
Back Light Comp.	On/Off selectable
Auto Gain Control	High/Middle/Low/Off selectable
Auto White Balance	AWB/One Push WB/Manual WB/Indoor/Outdoor
Gamma Correction	PC/TV
Iris Control	Auto, -2.0EV~2.0EV
OSD Menu	Yes (controlled from rear 5-axis joystick control)
True Day/Night Control	Yes (Auto IR cut filter removal)
Mirror	H_MIR, V_MIR
IR Distance	20M
IR Wavelength	850nm
IR LED Lifespan	20,000 hours
Power Source	12VDC/24VAC
Power Consumption	24VAC: 6W max. 12VDC: 6W max.
Dimensions (incl. BNC)	140 mm (O.D.) x 128 mm (H)/ 5.5" (O.D.) x 5.1 "(H)
Weight	660g/1.45lbs
Operating Temperature	0°C~45°C ; 32°F~113°F (20%~80% Humidity)
Certifications	FCC/CE

* Models vary in different countries. Please visit EverFocus regional websites for detailed ordering information
* Lens models and availability vary in different regions

* All product specifications are subject to change without notice

EHH5200

2 Megapixel, HD-SDI, Outdoor Full HD CCTV Dome Camera



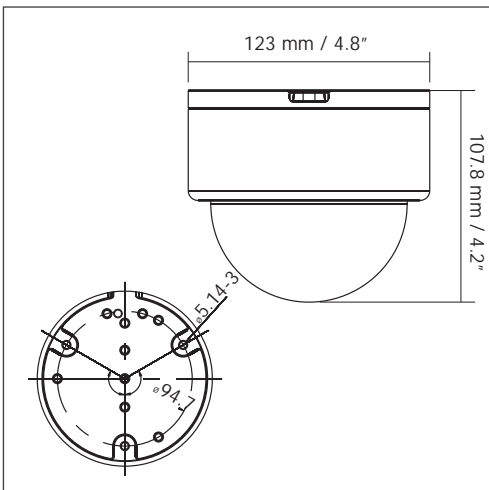
Features

- HD-CCTV 2 Megapixel real time 1080i HD video over coax
- 2 megapixel progressive scan CMOS sensor
- Supports video outputs of 720p and 1080i
- Lens Types: supports DC and manual iris lenses, CS mount (C mount adapter ring included)
- True day/night mode selectable with automatic ICR module
- Easy to use OSD setup menu
- Dual Video Output: Megapixel HD-SDI (BNC) plus SD TV Out (RCA) for installation
- Dual Power Source 12VDC/24VAC dual voltage
- Vandal Resistant & Weatherproof IP66 rated

Specifications

Pickup Device	1/3" 2 megapixel CMOS sensor
Sensitivity	0.5lux/F=1.4
S/N Ratio	45dB
Video Format Main Output	HD-SDI/HD-CCTV
Resolution Main Output	1920x1080/2 Megapixel/1080i or 1280x720/1 Megapixel/720p
Video Mode Main Output	Field select 1080i or 720p
Main Output Connector	BNC-F
Video Format Test Output	NTSC/PAL selectable 1V p-p
Test Output Connector	RCA-F
Electronic Shutter	1/60(1/50) - 1/8000
Lens Type	"Vari-focal lens, Auto Iris f=3.3-12mm"
Back Light Comp.	On/Off selectable
Auto Gain Control	High/Middle/Low/Off selectable
Auto White Balance	AWB/One Push WB/Manual WB/Indoor/Outdoor
Gamma Correction	PC/TV
Iris Control	Auto, -2.0EV - 2.0EV
OSD Menu	Yes (controlled from rear 5-axis joystick control)
True Day/Night Control	Yes (Auto IR cut filter removal)
Mirror	H_MIR, V_MIR
WeatherProof	IP66 rated
Vandal Resistant	Yes
Power Source	12VDC/24VAC
Power Consumption	24VAC: 6W max. 12VDC: 6W max.
Dimensions (incl. BNC)	140 mm (O.D.) x 128 mm (H) / 5.5" (O.D.) x 5.1" (H)
Weight	740g/1.6lbs
Operating Temperature	-10°C - 50°C ; 14°F - 122°F (20% - 80% Humidity)
Certifications	FCC/CE

Dimensions

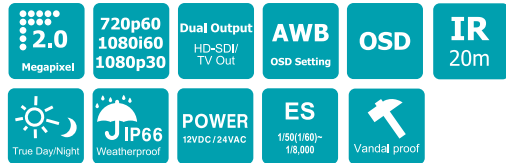


EZH5240

2 Megapixel, HD-SDI, Outdoor Full HD IR Bullet Camera



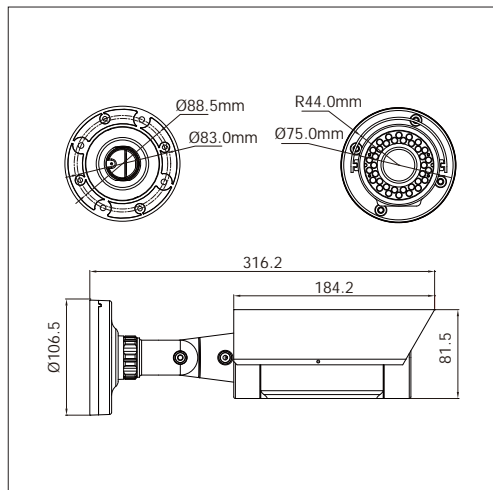
HD CCTV



Features

- HD-CCTV 2 Megapixel real time 1080p/1080i/720p HD video over coax
- 2 megapixel progressive scan CMOS sensor
- True day/night mode selectable with automatic ICR module
- Easy to use OSD setup menu
- Dual Video Output : Megapixel HD-SDI (BNC) plus SD TV Out (RCA) for installation
- Dual Power Source 12VDC/24VAC dual voltage
- Extended IR range of up to 40M with 36 LEDs and variable output IR control to manage illumination and conserve energy
- Split glad to prevent internal IR reflections
- Flexible mounting and positioning – speed – mount ring fits 4" round electrical box; or remove base to mate with 1" conduit
- E-Z lock ring at the base is designed with easy to grip tabs for firmly clamp the camera in place, plus a set screw for added security.
- Easy bottom access to video test point and lens control inside weatherproof cover plus Remote Zoom & Focus adjustment by web browser
- IP66 and vandal resistant

Dimensions



Specifications

Image Sensor	
Image Sensor	1/3" 2 megapixel CMOS sensor
Resolution	1920x1080
Sensitivity	0.5Lux/F=1.2
S/N Ratio	45dB
Lens	
Lens Type	Board type Lens
Aperture (F/No.)	1/1.2
Focus Length	3.3~12mm
View Angle(Diagonal)	125°~36°
Auto Iris	DC-Iris support
Night vision	
Night vision function	Built-in removable IR cut filter
Image Processing	
Video Format Main Output	HD-SDI
Image Resolution and Frame rate	1080i60/1080i50/1080p30/1080p25/720p60/720p50
Video Mode Main Output	Field select 1080i, 1080p or 720p
Auto Exposure Control	Yes
Electronic Shutter	1/60(1/50)~1/8000
Back Light Comp.	On/Off selectable
Auto Gain Control	High/Middle/Low/Off selectable
Auto White Balance	AWB/One Push WB/Manual WB/Indoor/Outdoor
Mirror	H_MIR, V_MIR
NEG_IMAGE	On/Off
System	
Main Output Connector	BNC-F
Test Output Connector	RCA-F
OSD Menu & Lens zoom control	Yes (controlled from rear 5-axis joystick control)
IR Distance	60M (TBD)
IR Wavelength	850nm
IR LED Lifespan	20,000 hours
Power	DC12V /AC24V
Power Consumption	8 watts max.
Environment	Operation: Temp: -10°C~50°C ; 14°F~122°F (20%~80% Humidity) Storage: Temp: -15°C ~ 60°C Humidity: 0% ~ 90% non-condensing
Approvals	FCC/CE class A

* Models vary in different countries. Please visit EverFocus regional websites for detailed ordering information
* Lens models and availability vary in different regions

* All product specifications are subject to change without notice

EHA-SRX

HD-SDI to HDMI Converter

EHA-RPT

HD-SDI Repeater

EHA-FTX/FRX

HD-SDI to Fiber Converter

NEW



HDCCTV

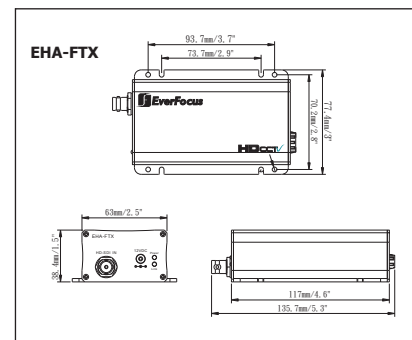
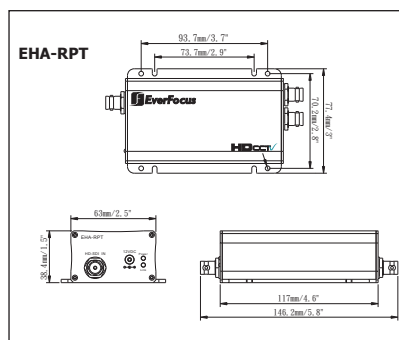
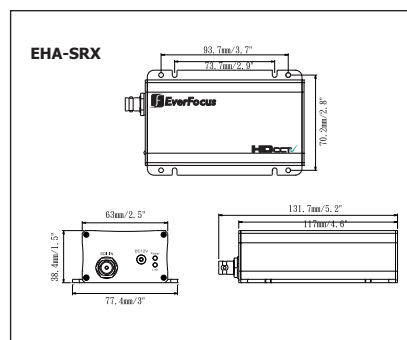
Features

- Accepts HD-CCTV high-definition HD-SDI digital video at 720p/60, 1080i/60 and 1080p/30 formats/ frame rates
- Processes HD-SDI standard at 1.485Gb/s data rate
- Integrated cable equalizer for long distance video transmission without loss of quality
- High quality digital video and audio transmission with near zero latency
- Provides standard HDMI output for HD TV monitor display (**EHA-SRX**)
- Capable of receiving HD-CCTV digital video over 75Ω coaxial cable at distances up to 400 feet/120m (**EHA-SRX**)
- Capable of receiving HD-CCTV digital video over 75Ω coaxial cable at distances over 100M (depending on cable type) (**EHA-RPT**)
- Capable of transmitting and receiving HD-CCTV digital video over fiber optics (**EHA-FTX/FRT**)

Specifications

Model	EHA-SRX	EHA-RPT	EHA-FTX/FRX
TECHNICAL			
SDI Standards	HD-SDI		
Video Bandwidth	1.485Gbps		
Video Support	720p @50/59.94/60Hz, 1080i @50/59.94/60Hz, 1080p @24/30Hz		
Input Signal	HD-SDI: SMPTE 292M, 296M	HD-SDI: SMPTE 292M, 296M	---
Output Signal	HDMI	HD-SDI: SMPTE 292M / 296M	---
Cable Equalization	up to 120m/400ft	up to 200m / 665ft (by cable R11 and R6)	---
Input Connector	1x BNC [HD-SDI] 3G 75Ω inter-locked socket	1 x BNC [HD-SDI] 3G 75Ω inter-locked socket	FTX: 1x BNC [HD-SDI] 3G 75Ω inter-locked socket FRX: 1 X Simplex LC SFP (Hot Pluggable)
Output Connector	1x HDMI Type A [19-pin female]	2 x BNC [HD-SDI] 3G 75Ω inter-locked socket	FTX: 1 X Simplex LC SFP (Hot Pluggable) FRX : 1 X BNC [HD-SDI] 3G 75Ω inter-locked socket
MECHANICAL			
Housing	Metal case		
Dimensions (W x H x D)	77.4 (W) x 38.4 (H) x 117 (D) mm / 3" (W) x 1.5" (H) x 4.6" (D)		
Weight	200g / 0.45lbs		
Power Supply	12VDC		
Power Consumption	2W max.	3 W max.	3 W max.
Operating Temperature	0°C~50°C /32°F~122°F	0°C~50°C /32°F~104°F	0°C~50°C /32°F~104°F
Humidity	20%~80%		

Dimensions





Digital Video Recorders

PARAGON 264 Series

16 Channels, H.264, HDMI Output with 1080i



Features

- H.264 Compression format
- D1 real time recording rate and playback rate for all cameras (Paragon 264X4)
- HDMI video output (1080i)
- Multiple Main Monitors: Separately configured HDMI 1080i and VGA/BNC Main monitor outputs
- Call monitor: additional composite BNC output with multiplex and/or sequenced views
- Simultaneous high bandwidth recording (400 PAL/480 NTSC (D1)) with reduced bandwidth remote view streaming (up to 400 PAL/480 NTSC (CIF)) (Paragon264 x 4 only)
- Pentaplex Operation (Simultaneous live, recording, playback, archiving and remote viewing)
- Free EverFocus DDNS Service - static IP address is not required for reliable remote access
- User friendly GUI with graphical icons and visual indicators
- Supports eSATA external HDD
- Supports video streaming for mobile monitoring
- Multiple Control Inputs: mouse/front panel/remote controller/EKB500 keyboard
- Built-in record time calculator for fast recording estimation
- Express Setup: A unique menu option for quick & easy installation
- Express Archive: Archive video instantly(to USB) while playing back
- Express Playback: Simply point, click and drag the playback bar to view desired recordings
- Express Search: Use the intuitive playback bar with simple drag & drop operations
- Remote configuration support from the built-in web interface
- Gigabit Ethernet interface for remote network viewing and control
- On-screen PTZ control via mouse or front panel
- Audio recording capabilities
- Support for up to 2 Hot Swappable HDD or 4 fixed internal HDD
- Built-in DVD burner (Optional)
- 3 USB 2.0 ports (2 located on front panel, 1 located on back panel) for video archive and mouse usage
- Multi-language support
- Watermark capabilities to identify intentional modifications to exported data
- 19" Rack mountable – rack ears included

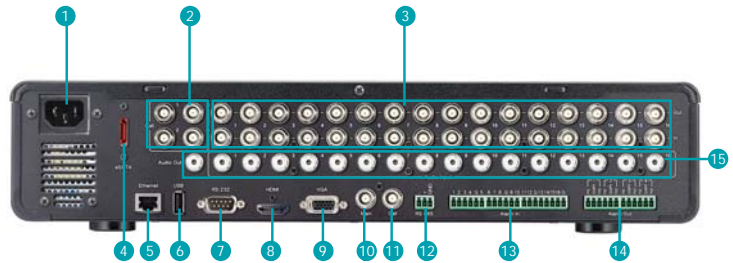
Specifications

Model No.	PARAGON 264X4	PARAGON 264X2
Channel Number	16 CH	
Compression Format	H.264	
HDMI Output	Yes	
Recording Rate/Resolution	480 NTSC / 400 PAL (D1:704x480)	240 NTSC / 200 PAL (D1:704x480) 480 NTSC / 400 PAL (Half D1:704x240)*
Playback Rate/Resolution	480 NTSC / 400 PAL (D1:704x480)	240 NTSC / 200 PAL (D1:704x480) 480 NTSC / 400 PAL (Half D1:704x240)
Mobile Device	Live view on PDA or Smart Phones (MobleFocus FREE app for iPhone® and Android™) plus various web browsers	
Pentaplex Operation	Simultaneous Live, Recording, Playback, Archive and Remote Viewing	
Video Input	16 BNC	16 BNC
Video Output	Main: BNC&VGA&HDMI; Call: BNC(up to 16-up); Looping: 16 BNC	
Recording Mode	Manual, Schedule and Event	
Playback Search	Date/Time, Event, Motion in Recorded Video	
Audio Input	16	
Audio Output	1	
Alarm In	16	
Alarm Out	4	
Video Pause	Yes	
Video Loss Detection	Yes	
Motion Detection	Yes	
Event Log	Yes	
Watch Dog Timer	Yes	
Internal HDD	4	
Hot-Swappable HDD	2(optional)	
eSATA	1 eSATA (Hot Swappable model doesn't support eSATA)	
Built-in DVD Burner	Slim Type DVD Burner(Optional)	
User Interface	GUI(Graphical User Interface)	
OS	Embedded Linux	
Network/Protocol	100/1000Mbps Ethernet; TCP-IP / DHCP/ PPPoE / Everfocus DDNS/RTSP/RTP/HTTP/SMTP/POP3/SSL	
Control PTZ via OSD	Yes	
Dual Streaming	Yes	
USB	3 USB 2.0 ports (2 on Front Panel, 1 on Back Panel)	
Schedule Setting	Express and Advanced Schedule Setting Tools	
User Access	3 Levels of User Access Supported	
RS-232	9-pin D-Sub socket (male)	
RS-485	1 RS485 (3 Terminal connector)	
Power Source	100VAC~240VAC	
Dimensions(L x W x H)	410 x 430 x 88 mm / 16.2" x 16.9" x 3.5"	
Temperature	0°C~40°C / 32°F~104°F (20~80% humidity)	
Certifications	CE, FCC, UL	
Support PTZ Protocol	EverFocus, Pelco D, Pelco P, Samsung, Transparent	

Major Operating Controls

- | | |
|-------------------------------|---------------------|
| 1 Main Power Plug | 8 HDMI Output |
| 2 Matrix Output x4 (Optional) | 9 VGA |
| 3 Video Input and Looping | 10 Main Monitor Out |
| 4 eSATA | 11 Call Monitor Out |
| 5 Network Connector | 12 RS-485 Connector |
| 6 USB Slot | 13 Alarm Out |
| 7 RS232 Connector | 14 Alarm In |
| | 15 Audio In/Out |

Rear View

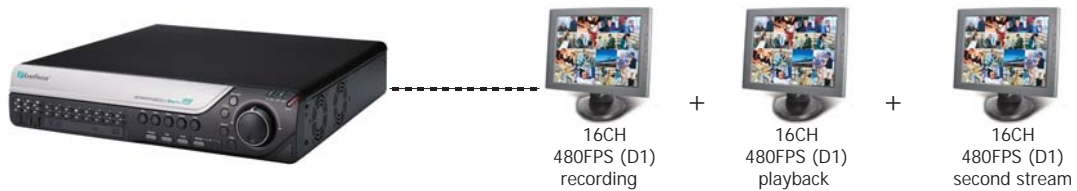


- Front & back panel controls vary depending on models

Advantages

Triplex function for D1 Real time

Best performance triplex operation, in D1 resolution you can still have real time recording for 16 cameras at 30 fps, and playback all 16 cameras with D1 30 fps. It also supports dual streaming for CIF 30FPS compression for 16 cameras to do remote control. It can achieve best recording quality locally and get smooth image in low bandwidth environment.

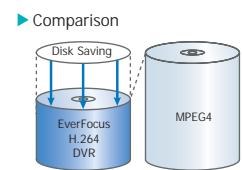


Full HD Video Output

Full HD 1080p brings superior picture performance on a massive scale, it can provide 1:1 output for mega pixel camera. Digital output renders stunning images from any resolution which enhances motion to deliver a smoother and clearer Viewing.

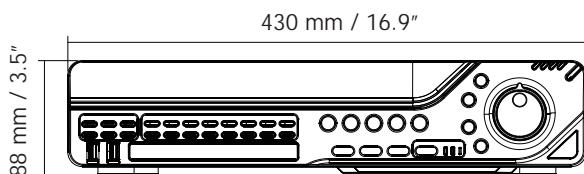
H.264 Compression Technology

H.264 compression technology is considered 1.5 times better compression ratio than MPEG4. Benefiting from H.264 Paragon DVR delivers the crystal clear images as long with the low bandwidth consumption.

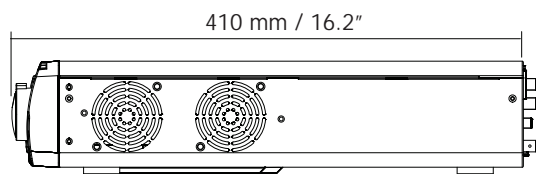


Dimensions

Front View



Side View



* Models vary in different countries. Please visit EverFocus regional websites for detailed ordering information

* All product specifications are subject to change without notice

ENDEAVOR264L4

16 Channels D1 real-time recording,
8 Channels D1 real-time playback,
Full HD 1080P output



Features

- Compatible with FREE Everfocus Central Management Software
- D1 real time recording rate for 16 cameras
- D1 real time playback rate for 8 cameras
- HDMI video output (1080p)
- Simultaneous main streaming (400 PAL/480 NTSC (D1)) and second streaming
- H.264 Compression format for efficient disk utilization and network bandwidth conservation
- Normal and event recording frame rate can be set independently for each camera
- Recording at CIF for remote web viewing to conserve bandwidth
- Matrix output x 4
- Support eSATA (Future use)
- Gigabit Ethernet interface for remote network viewing and controlling
- Audio recording capabilities
- Support up to 4 fixed internal HDD
- Pentaplex Operation (Simultaneous live, recording, playback, archiving and remote viewing)
- Free EverFocus DDNS Service - static IP address is not required for reliable remote access
- User friendly GUI with graphical icons and visual indicators
- Supports mobile monitoring of live video from PDA and Smart Phones
- Multiple Control Inputs: mouse/front panel/remote controller/EKB500 keyboard
- Built-in record time calculator for fast recording estimation
- Express Setup: A unique menu option for quick & easy installation
- Express Archive: Archive video instantly (to USB) while playing back
- Express Playback: Simply point, click and drag the playback bar to view desired recordings
- Express Search: Use the intuitive playback bar with simple drag & drop operations
- Smart Search: Directly catch the movement in the specified area
- Snapshot search: Show snapshots of the specified interval, help quickly find the interested scene
- Remote configuration support from the built-in web interface
- On-screen PTZ control via mouse or front panel
- Built-in DVD burner (Optional)
- 2 USB 2.0 ports (1 located on front panel, 1 located on back panel) for video archive and mouse usage
- Multi-language support
- Watermark capabilities to identify intentional modifications to exported data
- USB Mouse and IR remote control included

Specifications

Channel Number	16
Compression Format	H.264
HDMI Output	Yes
Recording Rate/Resolution	480 NTSC / 400 PAL (D1:704x480) 480 NTSC / 400 PAL (Half D1:704x240) 480 NTSC / 400 PAL (CIF:352x240)
Playback Rate/Resolution	D1 8CH 240 NTSC / 200 PAL (D1:704x480) 240 NTSC / 200 PAL (Half D1:704x240) 240 NTSC / 200 PAL (CIF:352x240)
Mobile Device	Live view on PDA or Smart Phones (MobleFocus FREE app for iPhone® and Android™) plus various web browsers
Pentaplex Operation	Simultaneous Live, Recording, Playback, Archive and Remote Viewing
Video Input	16 BNC
Video Output	Main: HDMI (1080p), VGA (1280x1024) Call: BNC(up to 16-up) Looping: 16 BNC Matrix x4*
Recording Mode	Manual, Schedule and Event; or, choose Number of Days
Playback Search	Date/Time, Event, Motion in Recorded Video, snapshot by Interval
Audio Input	16
Audio Output	2
Alarm In	16
Alarm Out	4
Video Pause	Yes
Video Loss Detection	Yes
Motion Detection	Yes
Event Log	Yes
Watch Dog Timer	Yes
Internal HDD	4
eSATA	Yes
Built-in DVD Burner	Yes(Optional)
User Interface	GUI(Graphical User Interface)
OS	Embedded Linux
Network/Protocol	Gigabit Ethernet; TCP-IP / DHCP/ PPPoE / DDNS
Control PTZ via OSD	Yes (via both local and remote interfaces)
Dual Streaming	480 NTSC / 400 PAL (CIF)
USB	2 USB 2.0 port (on Front Panel)
Schedule Setting	Express and Advanced Schedule Setting Tools
User Access	3 Levels of User Access Supported
RS-232	Yes
RS-485	RJ45x2
Power Source	100~240VAC ,110W max
Dimensions(L x W x H)	430 x 423 x 72 mm / 16.93" x 16.65" x 3.13"
Temperature	0°C~40°C / 32°F~104°F (20~80% humidity)
Certifications	CE, FCC, UL
Support PTZ Protocol	EverFocus, Pelco D, Pelco P, Samsung, Transparent

Major Operating Controls

- | | |
|---------------------|----------------------------|
| 1 Main Power Plug | 8 Alarm In |
| 2 Network Connector | 9 Alarm Out |
| 3 RS232 Connector | 10 eSATA |
| 4 RS485 Connector | 11 Audio In |
| 5 Main VGA | 12 Audio Out |
| 6 HDMI Output | 13 Video Input and Looping |
| 7 Call Monitor Out | 14 Matrix |

Rear View



- Front & back panel controls vary depending on models

Advantages

Real-time High-resolution Recording

Applying high speed data processing technology across all channels with H.264 full-frame compression, the ENDEAVOR achieves the ability to record and play real time video on all channels on all models. Frame rate can be independently set over the channels to fit the different recording speed requests in different scenes. The ENDEAVOR264L4 series also provides the simultaneous full speed playback over all channels while recording.

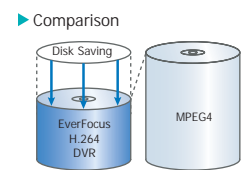


Video Streaming to Mobile Devices

The ENDEAVOR264 series supports streaming for and mobile monitoring, allowing you the capability to check your home or business on-the-go directly from a variety of RTSP capable mobile devices – FREE! No additional servers or purchased programs required.

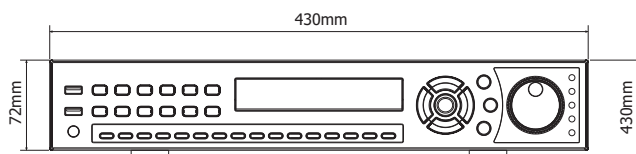
H.264 Compression Technology

H.264 compression technology is considered 1.5 times better compression ratio than MPEG4. Benefiting from H.264 Paragon DVR delivers the crystal clear images as long with the low bandwidth consumption.

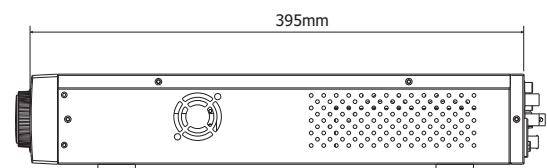


Dimensions

Front View



Side View



* Models vary in different countries. Please visit EverFocus regional websites for detailed ordering information

* All product specifications are subject to change without notice

ECOR264X1 Series DVR

4, 9 or 16 Channels Network H.264 with Graphical User Interface



Features

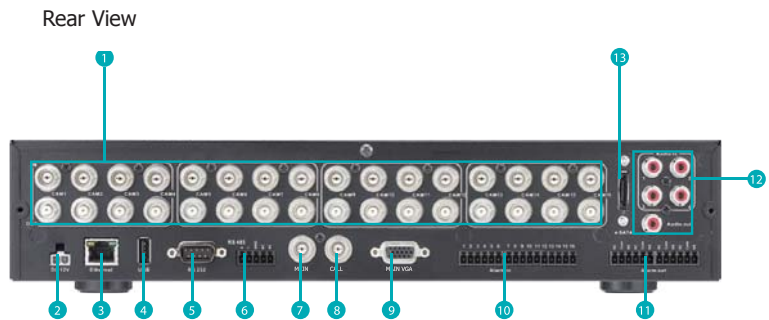
- H.264 Compression format for efficient disk utilization and network bandwidth conservation
- Real time recording rate and playback rate for all cameras
- Normal and event recording frame rate can be set independently for each camera
- Multiple Main Monitors: VGA (800x600, 1280X1024*)/BNC Main monitor outputs
- Call monitor: additional composite BNC output with multiplex and/or sequenced views
- Simultaneous recording at D1 or 2CIF with real time streaming at CIF for remote web viewing to conserve bandwidth
- Pentaplex Operation (Simultaneous live, recording, playback, archiving and remote viewing)
- Free EverFocus DDNS Service - static IP address is not required for reliable remote access
- User friendly GUI with graphical icons and visual indicators
- Supports eSATA (Future use, hot-swappable model does not support eSATA)
- Supports 3GPP for mobile monitoring
- Multiple Control Inputs: mouse/front panel/remote controller/EKB500 keyboard
- Built-in record time calculator for fast recording estimation
- Express Setup: A unique menu option for quick & easy installation
- Express Archive: Archive video instantly (to USB) while playing back
- Express Playback: Simply point, click and drag the playback bar to view desired recordings
- Express Search: Use the intuitive playback bar with simple drag & drop operations
- Smart Search: Directly catch the movement in the specified area
- Snapshot search: Show snapshots of the specified interval, help quickly find the interested scene
- Remote configuration support from the built-in web interface
- Gigabit Ethernet interface for remote network viewing and control
- On-screen PTZ control via mouse or front panel
- Support for up to 1 Hot Swappable HDD or 2 fixed internal HDD
- Built-in DVD burner (Optional)
- 2 USB 2.0 ports (1 located on front panel, 1 located on back panel) for video archive and mouse usage
- Multi-language support
- Watermark capabilities to identify intentional modifications to exported data
- 19" Rack mountable
- USB Mouse and IR remote control included

Specifications

Model No.	ECOR264x1		
Channel Number	16	9	4
Compression Format	H.264		
Recording Rate/Resolution	120 NTSC / 100 PAL (D1:704x480) 240 NTSC / 200 PAL (Half D1:704x240) 480 NTSC / 400 PAL (CIF:352x240)	120 NTSC / 100 PAL (D1:704x480) 240 NTSC / 200 PAL (Half D1:704x240) 270 NTSC / 225 PAL (CIF:352x240)	120 NTSC / 100 PAL (D1:704x480) 120 NTSC / 100 PAL (Half D1:704x240) 120 NTSC / 100 PAL (CIF:352x240)
Playback Rate/Resolution	120 NTSC / 100 PAL (D1:704x480) 240 NTSC / 200 PAL (Half D1:704x240) 480 NTSC / 400 PAL (CIF:352x240)	120 NTSC / 100 PAL (D1:704x480) 240 NTSC / 200 PAL (Half D1:704x240) 270 NTSC / 225 PAL (CIF:352x240)	120 NTSC / 100 PAL (D1:704x480) 120 NTSC / 100 PAL (Half D1:704x240) 120 NTSC / 100 PAL (CIF:352x240)
Mobile Device	Live view on PDA or Smart Phones (MobleFocus FREE app for iPhone® and Android™) plus various web browsers		
Pentaplex Operation	Simultaneous Live, Recording, Playback, Archive and Remote Viewing		
Video Input	16 BNC	9 BNC	4 BNC
Video Output	Main: VGA&BNC Call: BNC(up to 16-up) Looping: 16 BNC	Main: VGA&BNC Call: BNC(up to 9-up) Looping: 9 BNC	Main: VGA&BNC Call: BNC(up to 4-up) Looping: 4 BNC
Recording Mode	Manual, Schedule and Event		
Playback Search	Time search, Event search, Smart search, Snapshot search		
Audio Input	4		
Audio Output	1		
Alarm In	16	9	4
Alarm Out	4	2	1
Video Pause	Yes		
Video Loss Detection	Yes		
Motion Detection	Yes		
Event Log	Yes		
Watch Dog Timer	Yes		
Internal HDD	2		
Hot-Swappable HDD	1(optional)		
eSATA	1 eSATA (Hot Swappable model doesn't support eSATA)		
Built-in DVD Burner	Yes(Optional)		
User Interface	GUI(Graphical User Interface)		
OS	Embedded Linux		
Network/Protocol	Gigabit Ethernet; TCP-IP / DHCP/ PPPoE / Everfocus DDNS/RTSP/RTP/ HTTP/SMTP/POP3/SSL		
Control PTZ via OSD	Yes		
Dual Streaming	Yes		
USB	2 USB 2.0 ports (1 on Front Panel, 1 on Back Panel)		
Schedule Setting	Express and Advanced Schedule Setting Tools		
User Access	3 Levels of User Access Supported		
RS-232	Yes		
RS-485	1 RS485 (3 Terminal connector)		
Power Source	DC12V (from included 110/220VAC power supply)		
Dimensions(L x W x H)	353.0 x 354.8 x 70.60 mm / 13.89" x 13.96" x 3.055"		
Temperature	0°C~40°C / 32°F~104°F (20~80% humidity)		
Certifications	CE, FCC, UL		
Support PTZ Protocol	EverFocus, Pelco D, Pelco P, Samsung, Transparent		

Major Operating Controls

- | | |
|--------------------|-----------------|
| 1 Main Power Plug | 7 VGA Connector |
| 2 Ethernet | 8 Alarm Input |
| 3 USB | 9 Alarm Output |
| 4 RS-232 Connector | 10 Audio In/Out |
| 5 RS-485 Connector | 11 Video In/Out |
| 6 Main Monitor Out | 12 eSATA |

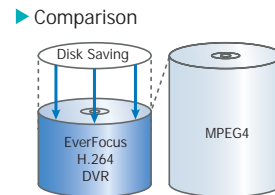


- Front & back panel controls vary depending on models

Advantages

H.264 Compression Technology

H.264 compression technology is considered 1.5 times better compression ratio than MPEG4. Benefiting from H.264, ECOR series DVR delivers the crystal clear images along with low bandwidth consumption.

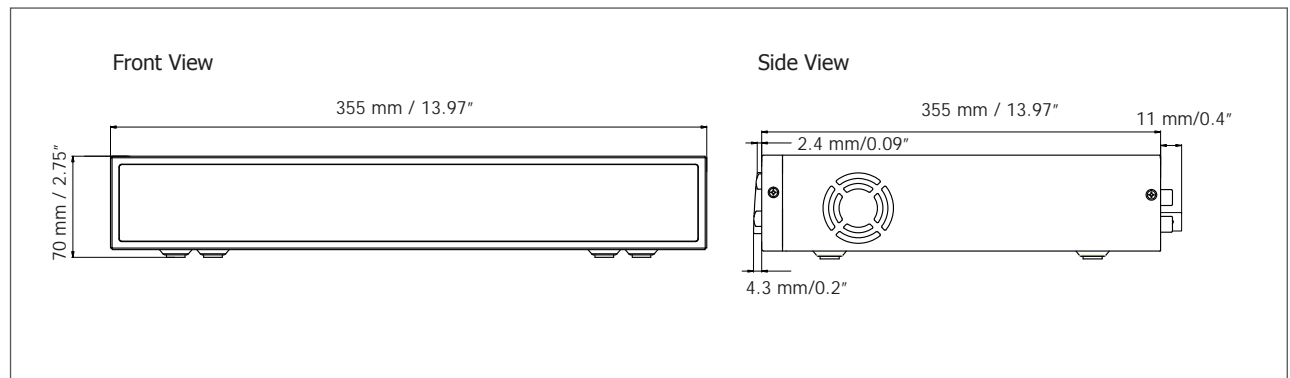


GUI

With Graphical User Interface (GUI), users can command specific actions on the ECOR Series DVR through graphical icons and visual indicators. Simply click the screen to do live or playback on the selected channel.



Dimensions

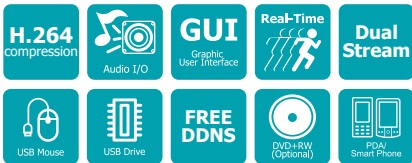


* Models vary in different countries. Please visit EverFocus regional websites for detailed ordering information

* All product specifications are subject to change without notice

ECOR264 D2 Series DVR

4 or 8 Channels Network H.264 with Graphical User Interface



Features

- Compatible with FREE EverFocus Central Management Software
- H.264 Compression format for efficient disk utilization and network bandwidth conservation
- Recording resolution and rate can be set independently for each camera, and changed via user defined schedule
- Streaming at CIF for remote web viewing to conserve bandwidth
- Pentaplex Operation (Simultaneous live, recording, playback, archiving and remote viewing)
- Free EverFocus DDNS Service - static IP address is not required for reliable remote access
- User friendly colour GUI with graphical icons and visual indicators
- Supports mobile monitoring of live video from PDA and Smart Phones
- Multiple Control Inputs: mouse/front panel/IR remote controller/ EKB500 keyboard
- Built-in record time calculator for fast recording estimation
- Express Setup: A unique menu option for quick & easy installation and setup
- Express Archive: Archive video instantly (to USB) while playing back
- Express Playback: Simply point, click and drag the playback bar to view desired recordings
- Express Search: Use the intuitive playback bar with simple drag & drop operations
- Smart Search: Review recorded video to identify motion in area(s) of interest
- Snapshot search: choose an interval and direction, view a series of snapshots to quickly isolate incidents
- Remote viewing of live and recorded video, plus configuration support from the built-in web interface
- On-screen PTZ control via mouse or front panel
- Built-in DVD burner (Optional)
- 2 USB 2.0 ports (1 located on front panel, 1 located on back panel) for video archive and mouse usage
- Multi-language support
- USB Mouse and IR remote control included

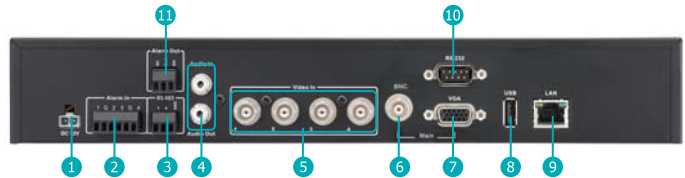
Specifications

Model No.	ECOR264-8D2	ECOR264-4D2
Channel Number	8	4
Compression Format	H.264	
Recording Rate/Resolution	60 NTSC / 50 PAL (D1:704x480) 120 NTSC / 100 PAL (Half D1:704x240) 240 NTSC / 200 PAL (CIF:352x240)	60 NTSC / 50 PAL (D1:704x480) 120 NTSC / 100 PAL (Half D1:704x240) 120 NTSC / 100 PAL (CIF:352x240)
Playback Rate/Resolution	60 NTSC / 50 PAL (D1:704x480) 120 NTSC / 100 PAL (Half D1:704x240) 240 NTSC / 200 PAL (CIF:352x240)	60 NTSC / 50 PAL (D1:704x480) 120 NTSC / 100 PAL (Half D1:704x240) 120 NTSC / 100 PAL (CIF:352x240)
Mobile Device	Live view on PDA or Smart Phones (MobleFocus FREE app for iPhone® and Android™) plus various web browsers	
Pentaplex Operation	Simultaneous Live, Recording, Playback, Archive and Remote Viewing	
Video Input	8 BNC	4 BNC
Video Output	Main: VGA or BNC(up to 9-up)	Main: VGA or BNC(up to 4-up)
Recording Mode	Manual, Schedule and Event	
Playback Search	Date/Time, Event, Motion in Recorded Video, Snapshot by Interval	
Audio Input	1	
Audio Output	1	
Alarm In	8	4
Alarm Out	1	
Video Pause	Yes	
Video Loss Detection	Yes	
Motion Detection	Yes	
Event Log	Yes	
Watch Dog Timer	Yes	
Internal HDD	1	
Built-in DVD Burner	Slim Type DVD Burner(Optional)	
User Interface	GUI(Graphical User Interface)	
OS	Embedded Linux	
Network/Protocol	10/100Mbps Ethernet; TCP-IP / DHCP/ PPPoE / Everfocus DDNS/RTSP/RTP/ HTTP/SMTP/POP3/SSL	
Control PTZ via OSD	Yes	
Dual Streaming	Yes	No
USB	2 USB 2.0 ports (1 on Front Panel, 1 on Back Panel)	
Schedule Setting	Express and Advanced Schedule Setting Tools	
User Access	3 Levels of User Access Supported	
RS-232	Yes	
RS-485	1 RS485 (3 Terminal connector)	
Power Source	DC12V (from included 110/220VAC power supply)	
Dimensions(L x W x H)	320 x 208.9 x 54.3 mm / 12.6" x 8.2" x 2.1"	
Temperature	0°C~40°C / 32°F~104°F (20~80% humidity)	
Certifications	CE, FCC, UL	
Support PTZ Protocol	EverFocus, Pelco D, Pelco P, Samsung, Transparent	

Major Operating Controls

- | | |
|--------------------|---------------------|
| 1 Main Power Plug | 7 VGA |
| 2 Alarm In | 8 USB Port |
| 3 RS-485 Connector | 9 Network Connector |
| 4 Audio In/Out | 10 RS232 Connector |
| 5 Video In | 11 Alarm Out |
| 6 Main Monitor Out | |

Rear View



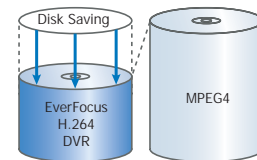
- Front & back panel controls vary depending on models

Advantages

H.264 Compression Technology

H.264 compression technology is considered 1.5 times better compression ratio than MPEG4. Benefiting from H.264, ECOR series DVR delivers crystal clear images along with low bandwidth consumption.

▶ Comparison

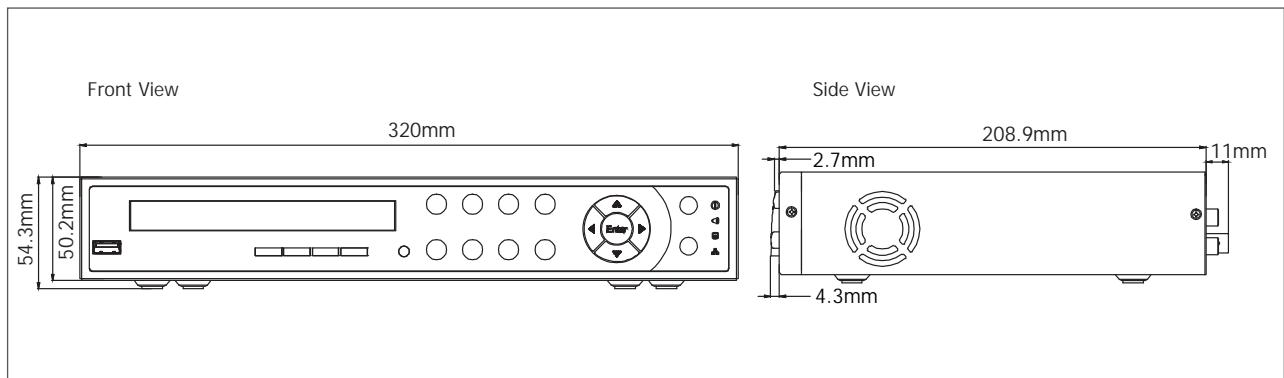


GUI

With Graphical User Interface (GUI), users can command specific actions on the ECOR Series DVR through graphical icons and visual indicators. Simply click the screen to do live or playback on the selected channel.



Dimensions



* Models vary in different countries. Please visit EverFocus regional websites for detailed ordering information

* All product specifications are subject to change without notice

ELR Series DVR

4 or 8 Channels Network H.264 with Graphical User Interface



Features

- H.264 Compression format
- Pentaplex Operation (Simultaneous live, recording, playback, archiving and remote viewing)
- User friendly GUI with graphical icons and visual indicators
- Free EverFocus DDNS Service
- Multiple Control Inputs: mouse/front panel/remote control
- Built-in DVR calculator for fast recording estimation
- Express Setup: Located in menu option for quick & easy installation
- Remote configuration support from built-in web interface
- Audio recording capabilities
- Support 1 internal SATA HDD
- USB 2.0 ports on front panel for video archive and mouse usage
- Multi-language support

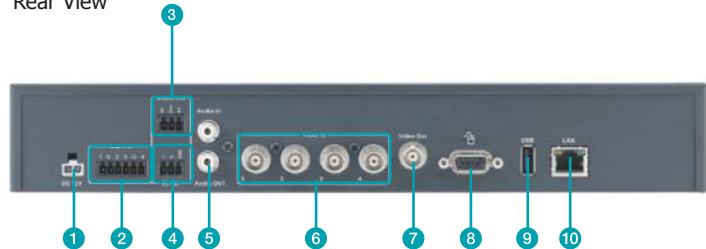
Specifications

Channel Number	8	4
Compression Format	H.264	
Recording Rate/Resolution	30 NTSC / 25 PAL (D1:704x480) 60 NTSC / 50 PAL (Half D1:704x240) 120 NTSC / 100 PAL (CIF:352x240)	
Playback Rate/Resolution	30 NTSC / 25 PAL (D1:704x480) 60 NTSC / 50 PAL (Half D1:704x240) 120 NTSC / 100 PAL (CIF:352x240)	
Mobile Device	Live view on PDA or Smart Phones (MobleFocus FREE app for iPhone® and Android™) plus various web browsers	
Pentaplex Operation	Simultaneous Live, Recording, Playback, Archive and Remote Viewing	
Video Input	8 BNC	4 BNC
Video Output	Main: VGA or BNC(up to 9-up)	Main: VGA or BNC(up to 4-up)
Recording Mode	Manual, Schedule and Event	
Playback Search	Date/Time, Event	
Audio Input	1	
Audio Output	1	
Alarm In	8	4
Alarm Out	1	
Video Pause	Yes	
Video Loss Detection	Yes	
Motion Detection	Yes	
Event Log	Yes	
Watch Dog Timer	Yes	
Internal HDD	1	
Built-in DVD Burner	Slim Type DVD Burner(Optional)	
User Interface	GUI(Graphical User Interface)	
OS	Embedded Linux	
Network/Protocol	10/100Mbps Ethernet; TCP-IP / DHCP/ PPPoE / Everfocus DDNS/RTSP/ RTP/HTTP/SMTP/POP3/SSL	
Control PTZ via OSD	Yes	
Dual streaming	Yes	
USB	2 USB 2.0 ports (1 on Front Panel, 1 on Back Panel)	
Schedule Setting	Express and Advanced Schedule Setting Tools	
User Access	3 Levels of User Access Supported	
RS-485	1 RS485 (3 Terminal connector)	
Power Source	DC12V (from included 110/220VAC power supply)	
Dimensions(L x W x H)	320 x 208.9 x 54.3 mm / 12.6" x 8.2" x 2.1"	
Temperature	0°C~40°C / 32°F~104°F (20~80% humidity)	
Certifications	CE, FCC, UL	
Support PTZ Protocol	EverFocus, Pelco D, Pelco P, Samsung, Transparent	

Major Operating Controls

- | | |
|-------------------|----------------------|
| 1 Main Power Plug | 6 Video In |
| 2 Alarm Input | 7 Video Out |
| 3 Alarm Output | 8 VGA Connector |
| 4 RS485 Connector | 9 USB |
| 5 Audio In/Out | 10 Network Connector |

Rear View



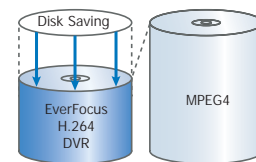
- Front & back panel controls vary depending on models

Advantages

H.264 Compression Technology

H.264 compression technology is considered 1.5 Times better compression ratio than MPEG4. Benefiting from H.264, ELR series DVR delivers the crystal clear images as long with low bandwidth consumption.

▶ Comparison



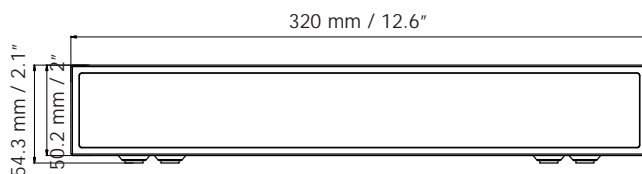
GUI

With Graphical User Interface (GUI), users can command specific actions on the ELR Series DVR through graphical icons and visual indicators. Simply click the screen to do live or playback on the selected channel.

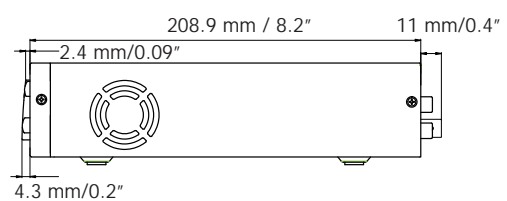


Dimensions

Front View



Side View



* Models vary in different countries. Please visit EverFocus regional websites for detailed ordering information

* All product specifications are subject to change without notice

PowerCon 4.3

Network Management Software



Features

- Unlimited number of managed systems (DVRs, Megapixel/network cameras, video servers, 3rd party applications)
- Live and playback view of DVR
- Live view and recording of EverFocus NEVIO network cameras
- Local storage and printout of video data or single pictures on client PC
- Multi-window design with scalable video windows
- Freely definable multiviews with up to 16 DVR systems or network cameras, also mixed display of different DVRs (max. 256 cameras in 1 multiview with 16 × 16-channel DVR)
- Mapview: visualization of CCTV system in areas or buildings with freely scalable maps, graphics (BMP or JPG format) or active symbols
- Remote DVR configuration
- Remote configuration of EverFocus network cameras and video servers
- EKB 200 joystick control supported
- Network alarm reception and management
- Multi-monitor support (depending on PC configuration)
- Advanced access rights management with individual user rights for functions and system access
- Network monitor for visualization of network traffic
- System checker: integrated background port checker with alarm function for availability of DVRs, cameras and video servers in network
- Support of external program starts
- Basic feature support for browser-based 3rd party application

System Requirements

Processor:	PC Pentium IV (1.6 or higher) / AMD Athlon (1.8 or higher)
Operating System:	Windows XP, service pack 2, .NET Framework 2.0, service pack 1, Windows Vista
VGA Card:	32 MB min., 16,7 million colours, with DirectX 9.0C support
USB:	2.0 interface
Memory:	512 MB RAM 30 MB free HD space for installation min. 10 GB free HD space for storage
Mediaplayer:	Microsoft mediaplayer version 8.x or higher
Further:	DirectX 9.0C
Supported DVRs:	EDR 400 / 1600* EDSR 400 H / M / EDSR 100 / 600 / 900 / 1600* EDR 410/810 H/M / EDR 410 D / 910 A/D / 1610 A/D / 920/1640, EDVR series** ECOR4 / ECOR 8 (FW1.0.10b2 or higher) EDR-16 Paragon series (FW 1.0.13 or higher) * latest DVR firmware version ** firmware 1.7 or higher!
Supported Network Cameras:	EAN 600 / 800 / 850 A / EZN 850 / EDN 800 T / EDN850H
Supported Megapixel Cameras:	EAN 1350 / EAN 900
Further Supported Devices:	Video servers EVS 400 / EVS 100 Network multi I/O controller EPS 100

*Performance varies depending on equipments used and subject to actual test result

ECMS-DVR

EverFocus Network DVR Manager



Overview

1. Support MPEG-4 and H.264
2. Support Paragon, Paragon 264, ECOR, ELR and EDR/EDVR DVR
3. Support Google-Map (Geographic map) and E-Map function

Live Video Monitoring

1. Support configurable view layout and display presets for custom split screens with assigned DVR
2. Support remote viewing
3. Multi-monitor support Video TV Wall via display terminal setting
4. User grouping tree, device tree and map tree with filtered views
5. Support PTZ control, including control of presets and patterns, tours
6. Support device drag and drop function on layout setting and device configuration
7. Support multiple monitors to display separate information
8. View real-time alarms and alarm history

Playback and Search

1. Support multiple concurrent video and audio playback from DVR
2. Searching can be queried based on channel; date and time and event type
3. Support several playback speeds in fast forward and fast reverse playback.
4. Support multiple video and audio archive

User Management

1. User database with login, password and contact details
2. Support user authentication and permission
3. Support user grouping. One user can be assigned to one group and inherit the privileges of the group
4. User privileges can be assigned per DVR, per E-map and per virtually any function

Specifications

Support Device	Paragon, Paragon 264, ECOR, ELR and EDR/EDVR series DVR
Max. Client Access	unlimited
Max. Device Access	unlimited
Max. DVR per screen	4
Operation UI	Browser based
Authorization	Basic User profile Restrict user access by Camera, user view by map, access to live view, PTZ, playback, setup
Map	E-Map, Google Map Edit Map-Link Region Insert DVR Max. 4 Map level Unlimited Map
Video Compression	MPEG4, H.264
Live view	30 fps 1x1, 2x2 views and single screen, quad, 9 up and 16up view for each DVR Support Drag-and-Drop
Live Monitor	Unlimited Display Terminal Support TV Wall with unlimited Display Terminal
Playback & Search	Search by Date/Time, Event Archive Max. 16ch playback at the same time
PTZ Control Panel	Preset, Pattern, Tour, Auto Pan, Patrolling Multiple Patrolling Schemes

Recommended System Requirements

a) When more than **4** DVRs or IP devices are enabled in live view and playback mode together, it is recommended that the client PC meets below system requirements for optimal performance.

- Intel **Core2 Duo E7400 2.8 GHz** or higher, **3 MB** Cache, **1066 MHz** FSB
- **2.0 GB** of RAM
- Graphics card with **512 MB** memory or better
- 10 GB of free hard disk space or more
- 1024 x 768 or higher screen resolution
- 10/100/1000 Ethernet Network adapter

b) When more than **16** DVRs or IP devices are enabled in live view and playback mode together, it is recommended that the client PC meets below system requirements for optimal performance.

- Intel **Core2 Quad Q9400 2.66 GHz** or higher, **6 MB** Cache, **1333 MHz** FSB
- **4.0 GB** of RAM
- Graphics card with **1 GB** memory or better
- 10 GB of free hard disk space or more
- 1024 x 768 or higher screen resolution
- 10/100/1000 Ethernet Network adapter

Minimum System Requirements

- Intel **Pentium4 531 3.0 GHz**, **1 MB** Cache, **800 MHz** FSB
- **1.0 GB** of RAM
- Graphics card with **256 MB** memory or better
- 10 GB of free hard disk space or more
- 1024 x 768 or higher screen resolution
- 10/100/1000 Ethernet Network adapter

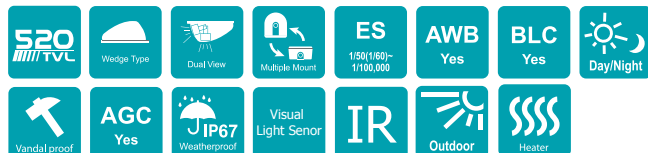
*Performance varies depending on equipments used and subject to actual test result



Mobile Video Surveillance

EMW330/EMW330T

Vandal Resistant Mobile Camera with IR, IP67, Side/Rear/Wall/Ceiling Mounting



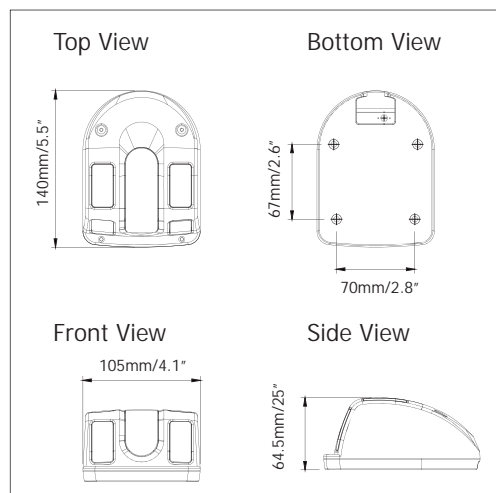
Features

- 1/3" Sony Super HAD CCD
- Resolution 520TVL
- Streamline wedge type chassis
- Vari-focal lens model with ICR feature (EMW330T)
- Fixed lens model with dual-position lens and IR illuminator (EMW330)
- Dual-position lens
- Dual-position IR illuminators provide clear images up to 50 feet away
- Vandal resistant, IP67 housing
- Side/Rear/Wall/Ceiling mounting options, no bracket required
- Built-in heater
- Visible light sensor provides IR illumination only when needed

Specifications

Model	EMW330	EMW330T
Pickup Device	1/3" SONY Super HAD CCD	
Video Format	NTSC/PAL	
Scanning System	NTSC: 525TVL, 60 fields/sec ; PAL: 625TVL, 50 fields/sec.	
Picture Elements	NTSC: 768x494/PAL: 752x582	
Horizontal Resolution	520TVL	
Sensitivity	0.4 Lux / F=1.2 (IR OFF) ; 0 Lux (IR ON)	
S/N Ratio	Over 48dB (AGC Off)	
Electronic Shutter	1/50 (1/60)~1/100,000	
Video Output	BNC 1.0Vp-p, 75ohm	
Gamma Correction	0.45	
Lens Type	Fixed lens options: f=3.6/8/16mm	Vari-Focal Lens, f=2.9~10mm/F=1.2, f=9~22mm/F=1.6
Back Light Comp.	Yes	
Auto Gain Control	Yes	
Auto White Balance	Yes (2500K~9000K)	
Sync. Mode	Internal sync	
Day/Night	Electronic	Auto IR Cut Removable
Day/Night Detection	Visible light sensor	
Built-in Heater	Yes	
IR LEDs	40 emitters in two arrays	
IR LED Lifespan	20,000 hours nominal	
IR Distance	50 feet	
IE Wavelength	850nm	
Weather Proof	IP67	
Vandal Proof	Yes	
Power Source	12VDC minimum ; 13.8VDC nominal	
Power Consumption	8.4W max at 12VDC (Heater ON & IR LED ON)	
Mounting Options	Side/Rear/Wall/Ceiling mounting options, no bracket required	
Viewing Direction	Dual-Position (forward/downward) Single-Position (forward)	
IR LEDs Direction	Dual-Position (forward/downward) Single-Position (forward)	
Operating Temperature	-40°C~-60°C/-40°F~140°F	
Dimensions (W x D x H)	105mm x 140mm x 65mm / 4.2" x 5.6" x 2.6"	
Weight	600g	
Certifications	CE, FCC	

Dimensions



* Models vary in different countries. Please visit EverFocus regional websites for detailed ordering information
 * Lens models and availability vary in different regions

* All product specifications are subject to change without notice

EMD302

1/3" Colour DSP, Indoor
Small Vandal-Proof Dome



NEW



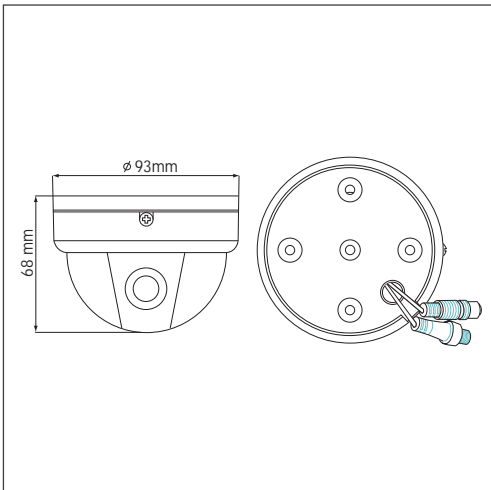
Features

- Colour camera PCB module with 1/3" High Resolution Sensor in mini Dome
- Employs Digital Signal Processor (DSP) chip-set for image control
- Pixel number: NTSC=380K / PAL=440K. (High Resolution)
- High sensitivity, low smear, high anti-blooming, and high S/N ratio
- Support functions: Auto Electronic Shutter (AES), Auto Gain Control (AGC), Auto White Balance (AWB)
- Economical, furnished with mini lens
- Built-in anti-aliasing and IR-cut optical filter
- Furnished with DC power cable and video cable
- DC type, low power consumption
- Easy to install, easy to use

Specifications

Image Pick-up Device	1/3" High Resolution Sensor
Effective Picture Elements	NTSC: 768 x 494 (H x V) PAL: 752 x 582 (H x V)
Horizontal Resolution	540 TVL
Minimum Illumination	0.02Lux / F=1.2
S/N Ratio	More than 48 dB
Auto Electronic Shutter	NTSC: 1/60s ~ 1/100,000s PAL: 1/50s ~ 1/110,000s
Gamma Characteristic	0.45
Lens Furnished	Board lens f 2.5mm / F 2.0 (optional: f = 3.6 / 4.3 / 6.0 / 8.0 / 12 / 16 mm)
Auto Gain Control	Yes
Auto White Balance	Yes
Synchronous System	Negative sync. Internal.
Video Output	1 Vp-p / 75 Ohms. BNC or F connector
Power Supply	DC 12V
Power Consumption	75mA max
Operating Temp.	-10°C to 50°C (14°F to 122°F)
Dimensions	87.5 mm (W) × 56.5 mm (H)

Dimensions



EMD300

Compact Weather & Vandal Proof
Mobile/Fixed Day/Night Mini-Dome Camera



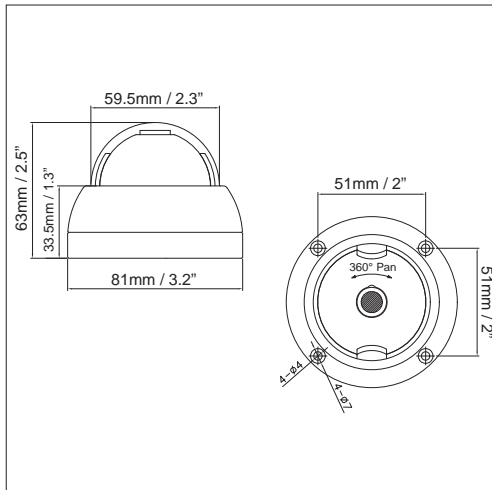
Features

- Super HAD II sensor at .05 lux has superlative native light sensitivity
- High resolution 550TVL
- Day/Night operation
- Vandal resistant
- Weather resistant
- Compact size
- Choice of black or white housing colour
- Low current draw

Specifications

Pickup Device	1/3" SONY Super HAD II CCD
Video Format	NTSC
Picture Elements	768 x 494(NTSC)
Horizontal Resolution	550 TVL
Sensitivity	0.05Lux/F=1.2(AGC ON)
S/N Ratio	Over 45dB (AGC off)
Electronic Shutter	1/60 ~1/100,000
Video Output	BNC 1.0V p-p 75Ω,
Gamma Correction	0.45
Lens Type	3.6mm board type
Day & Night	Switches to B/W in low light
Power Source	12VDC nominal. +/- 10%.
Power Consumption	100mA @ 12VDC
Operating Temperature	-10°C~+50°C ; 14°F~122°F
Humidity	IP66
Dimensions	81mm(D) x 63mm (H) ; 3.19 "(D) x 2.48"(H)
Weight	0.25 kg / 0.55 lbs
Certifications	CE / FCC

Dimensions



* Models vary in different countries. Please visit EverFocus regional websites for detailed ordering information
* Lens models and availability vary in different regions

* All product specifications are subject to change without notice

AVM-950H

Internal Vehicle Camera,
Can be used on the windscreen

NEW



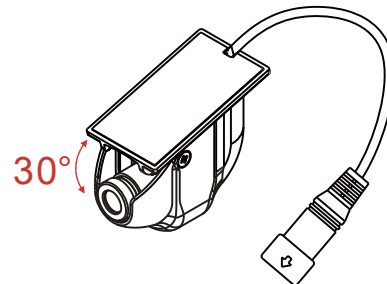
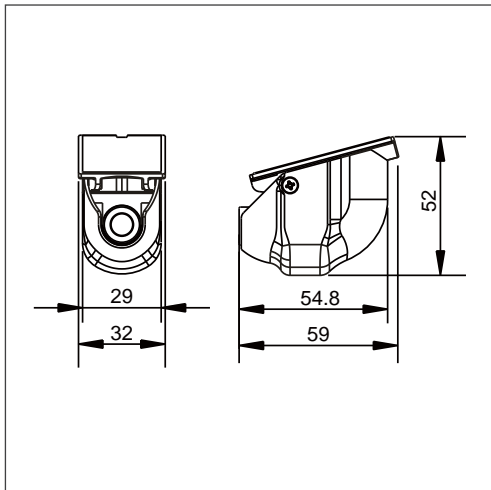
Features

- 1/3" CCD Image Sensor
- 520 TVL
- Mirroring, Clear Image for Back-Draft.

Specifications

MODE	NTSC	PAL
PICK UP ELEMENT	1/3 Inch CCD Image Sensor	
IMAGE SIGNAL PROCESS	Digital Signal Processing System	
NUMBER OF PIXEL	768 (H) × 494 (V)	752 (H) × 582 (V)
PICTURE ELEMENTS	Approximately 380K	Approximately 440K
HORIZONTAL RESOLUTION	Approximately 520 TV Lines	
POWER SUPPLY	DC +12V	
CURRENT CONSUMPTION	80 mA	
SYNCHRONIZATION	Internal	
SCANNING SYSTEM	2 : 1 Interlace	
SENSITIVITY	0.09 LUX	
S/N RATIO	Max 48 dB	
AUTO ELECTRONIC IRIS	Automatically	
BACK LIGHT COMPENSATION	Automatically	
AUTO GAIN CONTROL	Automatically	
ELECTRONIC SHUTTER	NTSC: AUTO: 1/60S TO 1/100,000 S PAL: AUTO: 1/50 S TO 1/100,000 S	
OUTPUT	1 Vp-p Composite Video Output, 75 Ohms	
LENS MOUNT	LENS	
OPERATING TEMPERATURE	- 5°C ~ +40°C	
DIMENSIONS	59mmx32mmx52mm	
WEIGHT	About 54.5g (N.W)	

Dimensions



AVM-930BV

Vehicle View IR Camera

NEW



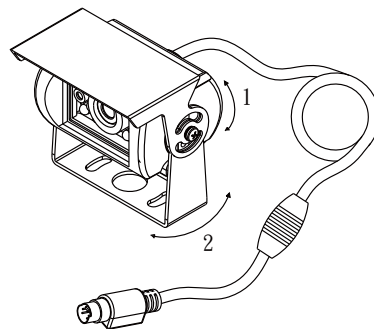
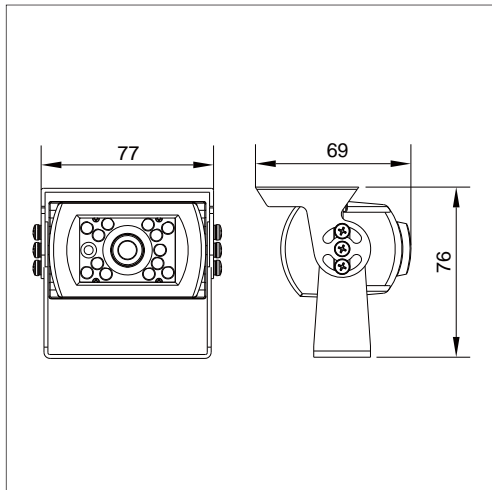
Features

- 1/3" SONY CCD
- Waterproof.
- 13PCS LEDs, Good Night Time Image, IR Distance 10M
- Adjustable Two Axis bracket, Tilt: 100° & Pan: 30°.
- Mirroring, Clear Image for Back-Draft.
- Diagonal: 128°
- Horizontal: 96°
- Vertical: 69°

Specifications

VIDEO SYSTEM	NTSC	PAL
PICK UP ELEMENT	1/3 INCH CCD IMAGE SENSOR (INTER LINE)	
IMAGE SIGNAL PROCESS	DIGITAL SIGNAL PROCESSING SYSTEM	
LENS MOUNT	2.9 mm	
NUMBER OF PIXEL	510 (H) x 492 (V)	500 (H) x 582 (V)
PICTURE ELEMENTS	APPROXIMATELY 250K	APPROXIMATELY 290K
HORIZONTAL RESOLUTION	MAX. 420 TV LINES	
POWER SUPPLY	DC 12 ± 1V (at IR_ON 240 mA)	
SYNCHRONIZATION	INTERNAL	
SCANNING SYSTEM	2 : 1 INTERLACE	
SENSITIVITY	0 LUX -IR ON	
SENSITIVITY	0.01Lux	
S/N RATIO	Max 48 dB	
MIRRORING	YES	
AUTO GAIN CONTROL	YES	
WHITE BALANCE	AUTO	
ELECTRONIC SHUTTER	AUTO: 1/60S TO 1/10000S AUTO: 1/50S TO 1/10000S	
OUTPUT	1 Vp-p COMPOSITE VIDEO OUTPUT, 75 OHMS	
IR RANGE	10 M	
WAVELENGTH	850 nm	
OPERATING TEMPERATURE	-5° C ~ +60° C	
TILT(1)	Max : 100°	
PAN(2)	Max : 30°	
DIMENSIONS (H × W × D)	69 × 77 × 76 mm	
WEIGHT	About 320g	

Dimensions



* Models vary in different countries. Please visit EverFocus regional websites for detailed ordering information
 * Lens models and availability vary in different regions

* All product specifications are subject to change without notice

AVM-730A/AVM-730BV

Vehicle view Camera for internal or external use

NEW



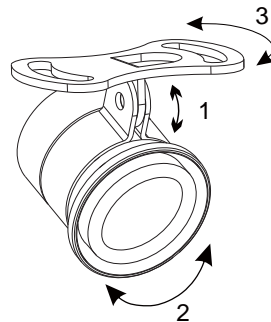
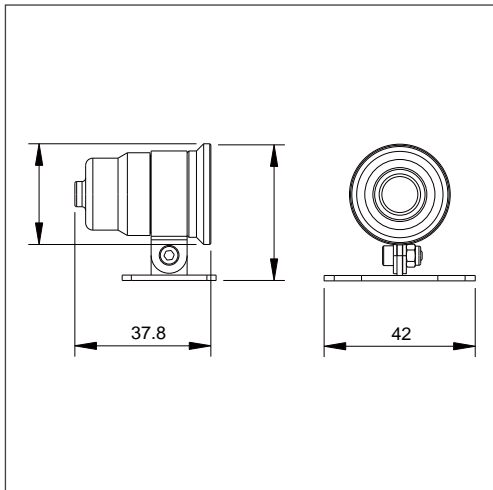
Features

- 1/4" Inter Line Transfer CCD
- 420 TVL
- Adjustable Three Axis bracket, Tilt: 80°, Rotation: 360°, & Pan: 60°.
- Mirroring, Clear Image for Back-Draft.
- Diagonal: 136°
- Horizontal: 110°
- Vertical: 80°

Specifications

Model	AVM730A		AVM730A-BV	
	NTSC	PAL	NTSC	PAL
Type	1/4 Inch Inter Line Transfer CCD			
Pick Up	1/4 Inch Inter Line Transfer CCD			
Image Signal Process	Digital Signal Processing System			
Number Of Pixel	510(H)×492(V)	512(H)×582(V)	510(H)×492(V)	512(H)×582(V)
Picture Elements	NTSC: Approximately 250K PAL: Approximately 290K			
Horizontal Resolution	Max 420 TV Lines			
Sync System	Internal			
Scanning System	2 : 1 Interlace			
Sensitivity	0.12 LUX			
S/n Ratio	Max 48 dB			
Auto Gain Control	Yes			
Mirroring	N/A		Yes	
White Balance	Auto			
Electronic Shutter	NTSC:AUTO: 1/60 S TO 1/100,000 S PAL:AUTO: 1/50 S TO 1/100,000 S			
Video Output Signal	1 Vp-p Composite Video Output, 75 Ohms			
Power Supply	DC 5.5V ~14.5V			
Power Consumption	120mA / 5.5v~50mA / 14.5V			
Lens	1.92mm			
View Angle	H : 110° V : 80° Diagonal :136			
Operating Temperature	-30° C ~ +75° C			
Dimensions	Diameter : 28mm L : 38mm			
Tilt(1)	Max : 80°			
Rotation(2)	360°			
Pan(3)	Max : 60°			
Weight	About : 66g			

Dimensions



AVM-730C/AVM-730BV

Vehicle view Camera for internal or external use

NEW



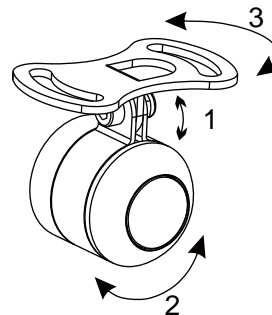
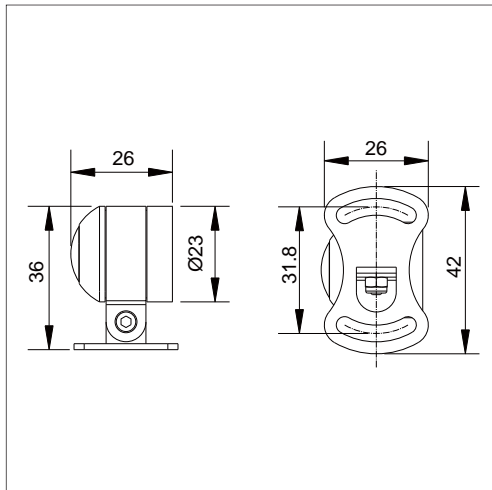
Features

- 1/4" Inter Line Transfer CCD
- 420 TVL
- Adjustable Three Axis bracket, Tilt: 80°, Rotation: 360°, & Pan: 60°.
- Mirroring, Clear Image for Back-Draft.
- Diagonal: 160°
- Horizontal: 128°
- Vertical: 97°

Specifications

Model	AVM730C		AVM730C-BV	
	NTSC	PAL	NTSC	PAL
Type	1/4 Inch Inter Line Transfer CCD			
Pick Up	1/4 Inch Inter Line Transfer CCD			
Image Signal Process	Digital Signal Processing System			
Number Of Pixel	510(H)×492(V)	512(H)×582(V)	510(H)×492(V)	512(H)×582(V)
Picture Elements	NTSC: Approximately 250K PAL: Approximately 290K			
Horizontal Resolution	Max 420 TV Lines			
Sync System	Internal			
Scanning System	2 : 1 Interlace			
Sensitivity	0.12 LUX			
S/n Ratio	Max 48 dB			
Auto Gain Control	Yes			
Mirroring	N/A		Yes	
White Balance	Auto			
Electronic Shutter	NTSC:AUTO: 1/60 S TO 1/100,000 S PAL:AUTO: 1/50 S TO 1/100,000 S			
Video Output Signal	1 Vp-p Composite Video Output, 75 Ohms			
Power Supply	DC 5.5V~14.5V			
Power Consumption	120mA / 5.5V~50mA / 14.5V			
Lens	1.59mm			
View Angle	H : 128° V : 97° Diagonal : 160°			
Operating Temperature	-30° C ~ +75° C			
Dimensions	Diameter : 23mm L : 36mm			
Tilt(1)	Max : 80°			
Rotation(2)	360°			
Pan(3)	Max : 60°			
Weight	About : 66g			

Dimensions



* Models vary in different countries. Please visit EverFocus regional websites for detailed ordering information
* Lens models and availability vary in different regions

* All product specifications are subject to change without notice

Mobile Digital Video Recorders EMV Series

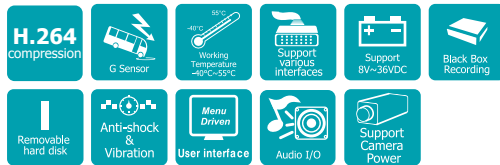
EMV1200

Compact 12 Channels H.264 Mobile DVR

NEW



(Wi-Fi optional)



Features

- 12 Channels of video and audio recording
- Recording Rate: 120fps @ D1 resolution/240fps@ 2CIF/480fps@CIF resolution (with global settings; record rate, resolution and quality can be set independently per-camera up to the maximum of 480CIF-equivalent FPS)
- H.264 compression format for efficient disk and network utilization
- Front and rear panel video/audio outputs for easy connection and configuration
- Special Graphical User Interface design for use with mobile small-sized monitors
- Molex connectors for shock & vibration resistance; interface cables to BNC, RCA and power jacks supplied
- Alarm Inputs & Outputs: 12 & 2 (alarm outputs are form "C")
- Embedded 3-axis g-sensor function with separate programmable alarm levels for X/Y and Z axis
- Removable video storage hard disk ; easy playback on PC (using EPR110 purchased separately)
- Supports single 3.5" or 2.5" SATA hard disk
- Supports multiple interfaces: 3xUSB, RS-485, RS-232, GPS port, wired Ethernet, IR Remote Control
- Optional wireless 802.11 b/g with diversity antennas
- Provides camera power for 12 cameras ; interface cables to power jacks supplied
- Optional External EDGE/GPRS/CDMA/WI-FI Modules for cellular/specialized wireless Transmission
- GPS function tracks speed and geographic limits (optional external GPS receiver)
- Explosion-proof 'Explosion-proof storage' interface (option)
- Power Supply: 10V~36VDC with Surge Protection, Voltage Regulator, programmable Delay on/off
- Temperature: -40°C~55°C (Operating), -40°C~85°C (Non-Operating)

Specifications

Video Format	NTSC/PAL (auto detected by system)
Operating System	Embedded Linux with special small monitor friendly GUI
Video Input	12 channels (vibration resistant locking Molex connectors – Interface cables to BNC-F supplied: 3X groups of 4 cameras each)
Video Output	Main monitor: 1 composite BNC rear panel/1 front panel RCA output Call monitor: 1 composite BNC rear panel
Video Compression	H.264
Video Display	Full, 4/9/12, Sequence
Recording Resolutions (set independently per camera)	NTSC: 720 x 480/720 x 240/360 x 240 ;PAL: 704 x 576/704 x 288/352 x 288
Audio Inputs	12 line in (vibration resistant locking Molex connectors - Interface cables to RCA-F supplied: 3X groups of 4 cameras each)
Audio Outputs	1 front panel RCA line out, 1 rear panel RCA line out
Alarm Inputs	12 alarm inputs (vibration resistant locking Molex connectors - Interface cables supplied)
Alarm Outputs	2 alarm outputs (form "C"; contacts rated at 30V AC/DC @ 1 amp – interface cables supplied)
Storage	3.5" HDD x 1 (up to 2TB) or 2.5" HDD x 1 (up to 1TB)
Recording Rate	NTSC: D1 120fps, 2CIF 240fps & CIF 480fps (duplex) if set globally PAL: D1 100fps, 2CIF 200fps & CIF 400fps (duplex) if set globally Per camera resolutions and record rates can be set individually per camera through the OSD menus up to the maximum record capacity of 480 (400) CIF FPS
Recording Mode	Continuous recording, event recording, continuous + event recording (Rate and resolution in each mode set independently per camera)
Record Quality	Adjustable in five levels per camera per Record Mode
Pre Alarm Recording	Optional; 5 second interval
Playback Rate	NTSC: D1 120fps, 2CIF 240fps & CIF 480fps (duplex) PAL: D1 100fps, 2CIF 200fps & CIF 400fps (duplex) Camera resolutions and record rates can be set individually per camera through OSD menus up to the maximum total record capacity of 480 (400) CIF FPS
Playback Search	Time/date, event search
Video Loss Detection	Yes
Event Alarm	Fan failure, hard disk temperature, hard disk failure, hard disk full, hard disk removed, power loss (after power is restored), network loss, GPS loss, GPS speed, GPS fencing, G sensor limits
Email Alert	Multiple email notifications in response to alarms and events. (Requires real time network connectivity though cellular or WiFi service).
G Sensor	Optional External GPS Sensor for speed and geographic limit alarms (rectangular or circular fencing)
GPS Function	Optional External GPS Sensor for speed and geographic limit alarms (rectangular or circular fencing)
Configuration Method	On screen menu with 'portable monitor friendly' graphical user interface
Control/Setup	IR remote control, USB mouse, network I/F
Real Time Clock	Can be synchronized to GPS/NTP time source; flexible DST settings
Watchdog Function	Reboots DVR automatically if required
Networking	RJ45 socket, 10/100Mbps; 802.11b/g WiFi, diversity antennas TCP/IP/DHCP/PPPoE/DDNS/SMP/SSL/POP3/HTTP/NTP
System Warnings	System fail LED : HDD full, HDD/Sys Temp, Fan fail, HDD fail LED : HDD power off, HDD failure
File Export	USB 2.0 interface
Interfaces	RS-232 x 2, RS-485, USB x 3, GPS port
Explosion-proof Storage	4GB device (option)
Power Source	10V~36VDC (Built in surge protection, voltage regulation, programmable Delay On/Off relative to ignition or other switched voltage) With 12ch x 300mA cameras
Camera Power Outputs	Total current 4.8 amps @ 12VDC (vibration resistant locking Molex connectors – interface cable provided to coaxial power plugs: 3 X groups of 4 cameras); 1.2A for camera 1~4 and 3.6A for camera 5~12
Dimensions (W x D x H)	DVR alone: 210 x 260 x 70mm/8.27" x 10.22" x 2.76" DVR in mount with antennas: 312 x 298 x 164mm/12.29" x 11.75" x 6.47"
Weight	DVR without mount 3.2kg/7.05 lbs. DVR with mount 3.65kg/8.05 lbs
Operating Temperature	Working Temperature: -40°C~55°C/-40F~131°F Storage Temperature: -40°~85°C/-40F~185°F

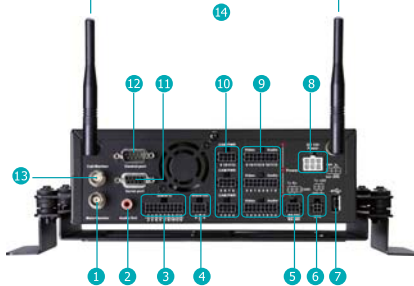
Major Operating Controls

Front View



- ① USB Port
- ② Audio Out
- ③ Main Monitor
- ④ Network Connector
- ⑤ System Status LEDs
- ① Main Monitor Out
- ② Audio Out
- ③ Alarm Input (12)
- ④ Alarm Output (2 x form 'C')
- ⑤ RS232 / RS485

Rear View

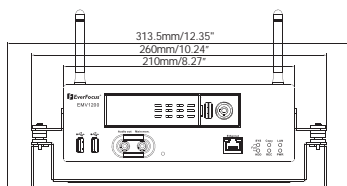


- ⑥ GPS Data Input
- ⑦ USB Port
- ⑧ Power Input / Ignition Control In / Switched Power Out
- ⑨ Video & Audio Inputs (12)
- ⑩ Camera Power Outputs (12)
- ⑪ Serial Port (Future Used)
- ⑫ Control Port (Future Used)
- ⑬ Call Monitor Out
- ⑭ 802.11 b / g WiFi

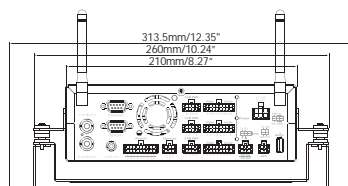
• Front & back panel controls vary depending on models

Dimensions

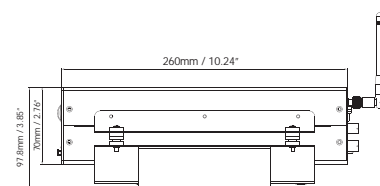
Front View



Rear View



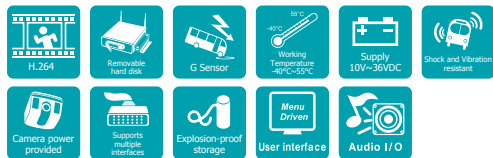
Side View



Mobile Digital Video Recorders EMV Series

EMV800

Compact 8 Channels H.264
Mobile Digital Video Recorder



Features

- 8 Channels of video and audio recording
- Recording Rate : 240fps @ D1 resolution/480fps @ 2CIF/960fps @ CIF resolution (with global settings ; record rate, resolution and quality can be set independently per-camera up to the maximum of 960 CIF-equivalent FPS)
- H.264 compression format for efficient disk and network utilization
- Front and rear panel video/audio outputs for easy connection and configuration
- Special Graphical User Interface design for use with mobile small-sized monitors
- Molex connectors for shock & vibration resistance ; interface cables to BNC, RCA and power jacks supplied
- Alarm Inputs & Outputs : 8 & 2 (alarm outputs are form "C")
- Embedded 3-axis g-sensor function with separate programmable alarm levels for X/Y and Z axis
- Removable video storage hard disk; easy playback on PC (using EPR110 purchased separately)
- Supports single 3.5" SATA hard disk standard (up to 2TB), 2.5" SATA hard disk standard (up to 1TB)
- Supports multiple interfaces: 3xUSB, RS-485, RS-232, GPS port, wired Ethernet, IR Remote Control
- Built in wireless 802.11 b/g with diversity antennas
- Provides camera power for 8 cameras ; interface cables to power jacks supplied
- Optional External EDGE/GPRS/CDMA/WI-FI Modules for cellular/specialized wireless Transmission
- GPS function tracks speed and geographic limits (optional external GPS receiver)
- Explosion-proof 'Explosion-proof storage' interface (option)
- Power Supply : 10V~36VDC with Surge Protection, Voltage Regulator, programmable Delay on/off
- Temperature : -40°C~55°C (Operating), -40°C~85°C (Non-Operating)

Specifications

Video Format	NTSC/PAL (auto detected by system)
Operating System	Embedded Linux with special small monitor friendly GUI
Video Input	8 channels (vibration resistant locking Molex connectors – Interface cables to BNC-F supplied: 2X groups of 4 cameras each)
Video Output	Main monitor: 1 composite BNC rear panel/1 front panel RCA output Call monitor: 1 composite BNC rear panel
Video Compression	H.264
Video Display	Full, 4/9/12, Sequence
Recording Resolutions (set independently per camera)	NTSC: 720 x 480/720 x 240/360 x 240 ; PAL: 704 x 576/704 x 288/352 x 288
Audio Inputs	8 line in (vibration resistant locking Molex connectors - Interface cables to RCA-F supplied: 2X groups of 4 cameras each)
Audio Outputs	1 front panel RCA line out, 1 rear panel RCA line out
Alarm Inputs	8 alarm inputs (vibration resistant locking Molex connectors - Interface cables supplied)
Alarm Outputs	2 alarm outputs (form "C"; contacts rated at 30V AC/DC @ 1 amp – interface cables supplied)
Storage	3.5" HDD x 1 (up to 2TB) or 2.5" HDD x 1 (up to 1TB)
Recording Rate	NTSC: D1 240fps, 2CIF 480fps & CIF 960fps PAL: D1 200fps, 2CIF 400fps & CIF 800fps (Per camera resolutions and record rates can be set individually per camera through the OSD menus up to the maximum record capacity of 960 NTSC (800 PAL) CIF equivalent FPS)
Recording Mode	Continuous recording, event recording, continuous + event recording (Rate and resolution in each mode set independently per camera)
Record Quality	Adjustable in five levels per camera per Record Mode
Pre Alarm Recording	Optional; 5 second interval
Playback Rate	NTSC: D1 240fps, 2CIF 480fps & CIF 960fps PAL: D1 200fps, 2CIF 400fps & CIF 800fps
Playback Search	Time/date, event search
Video Loss Detection	Yes
Event Alarm	Fan failure, hard disk temperature, hard disk failure, hard disk full, hard disk removed, power loss (after power is restored), network loss, GPS loss, GPS speed, GPS fencing, G sensor limits
Email Alert	Multiple email notifications in response to alarms and events. (Requires real time network connectivity though cellular or WiFi service).
G Sensor	Embedded 3-axis G Sensor; data recorded; alarm if separate user limits for X/Y or Z axis exceeded
GPS Function	Optional External GPS Sensor for speed and geographic limit alarms (rectangular or circular fencing)
Configuration Method	On screen menu with 'portable monitor friendly' graphical user interface
Control/Setup	IR remote control, USB mouse, network I/F
Real Time Clock	Can be synchronized to GPS/NTP time source; flexible DST settings
Watchdog Function	Reboots DVR automatically if required
Networking	RJ45 socket, 10/100Mbps; 802.11b/g WiFi, diversity antennas TCP-IP/DHCP/PPPoE/DDNS/SMTP/SSL/POP3/HTTP/NTP
System Warnings	System fail LED : HDD full, HDD/Sys Temp, Fan fail, HDD fail LED : HDD power off, HDD failure
File Export	USB 2.0 interface
Interfaces	RS-232 x 2, RS-485, USB x 3, GPS port
Explosion-proof Storage	4GB device (option)
Power Source	10V~36VDC (Built in surge protection, voltage regulation, programmable Delay On/Off relative to ignition or other switched voltage) With 8ch x 300mA cameras
Camera Power Outputs	Total current 4.8 amps @ 12VDC (vibration resistant locking Molex connectors – interface cable provided to coaxial power plugs: 3 X groups of 4 cameras); 1.2A for camera 1~4 and 3.6A for camera 5~12
Dimensions (W x D x H)	DVR alone: 210 x 260 x 70mm/8.27" x 10.22" x 2.76" DVR in mount with antennas: 312 x 298 x 164mm/12.29" x 11.75" x 6.47"
Weight	DVR without mount 3.2kg/7.05 lbs. DVR with mount 3.65kg/8.05 lbs
Operating Temperature	Working Temperature: -40°C~55°C/-40F~131°F Storage Temperature: -40°~85°C/-40F~185°F

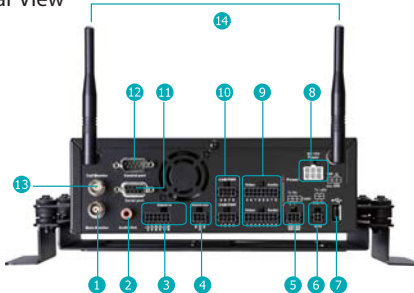
Major Operating Controls

Front View



- | | |
|----------------------|-------------------------------|
| ① USB Port | ① Main Monitor Out |
| ② Audio Out | ② Audio Out |
| ③ Main Monitor | ③ Alarm Input (8) |
| ④ Network Connector | ④ Alarm Output (2 x form 'C') |
| ⑤ System Status LEDs | ⑤ RS232 / RS485 |

Rear View

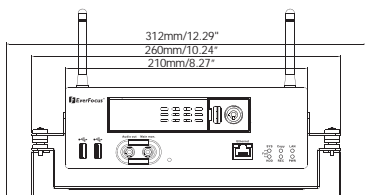


- | | |
|--|------------------------------|
| ⑥ GPS Data Input | ⑪ Serial Port (Future Used) |
| ⑦ USB Port | ⑫ Control Port (Future Used) |
| ⑧ Power Input / Ignition Control In / Switched Power Out | ⑬ Call Monitor Out |
| ⑨ Video & Audio Inputs (8) | ⑭ 802.11 b / g WiFi |
| ⑩ Camera Power Outputs (8) | |

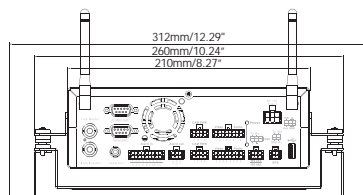
• Front & back panel controls vary depending on models

Dimensions

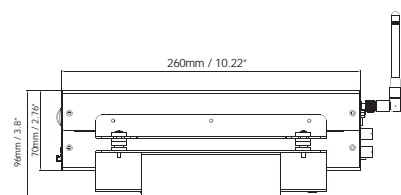
Front View



Rear View



Side View



Mobile Digital Video Recorders EMV Series

EMV400

Compact 4 Channels H.264 Mobile DVR

NEW



(Wi-Fi optional)



Features

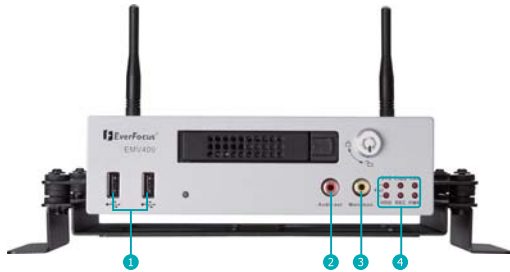
- 4 Channels of video and audio recording
- 1-DIN car audio size
- Recording Rate: 60fps@D1 resolution/120fps@2CIF/ 240fps@CIF resolution (with global settings; record rate, resolution and quality can be set independently per-camera up to the maximum of 240 CIF-equivalent FPS)
- H.264 compression format for efficient disk and network utilization
- Front and rear panel video outputs for easy connection and configuration
- Special Graphical User Interface design for use with mobile small-sized monitors
- Molex connectors for shock & vibration resistance; interface cables to BNC, RCA and power jacks supplied
- Alarm Inputs & Outputs: 6 & 2 (alarm outputs are form "C")
- Embedded 3-axis g-sensor function with separate programmable alarm levels for X/Y and Z axis
- Supports single 2.5" SATA hard disk standard (up to 1TB)
- Supports multiple interfaces: 3x USB, RS-485, RS-232, GPS port, wired Ethernet, IR Remote Control
- Optional wireless 802.11 b/g with diversity antennas
- Provides camera power for 4 cameras ; interface cables to power jacks supplied
- Optional External EDGE/GPRS/CDMA/WI-FI Modules for cellular/specialized wireless Transmission
- GPS function tracks speed and geographic limits (optional external GPS receiver)
- Power Supply: 10V~36VDC with Surge Protection, Voltage Regulator, programmable Delay on/off
- Temperature: -40°C~55°C (Operating), -40°C~85°C (Non-Operating)

Specifications

Video Format	NTSC/PAL (auto detected by system)
Operating System	Embedded Linux with special small monitor friendly GUI
Video Input	4 channels (vibration resistant locking Molex connectors – Interface cables to BNC-F supplied: two groups of 2 cameras each)
Video Output	Main monitor: 1 composite BNC rear panel/1 front panel RCA output
Video Compression	H.264
Video Display	Full, 4/9/12, Sequence
Recording Resolutions (set independently per camera)	NTSC: 720 x 480/720 x 240/360 x 240 PAL: 720 x 576/720 x 288/360 x 288
Audio Inputs	4 line in (vibration resistant locking Molex connectors - Interface cables to RCA-F supplied: two groups of 2 cameras each)
Audio Outputs	1 front panel RCA line out
Alarm Inputs	6 alarm inputs (vibration resistant locking Molex connectors - Interface cables supplied)
Alarm Outputs	2 alarm outputs (form "C"; contacts rated at 30V AC/DC @ 1 amp – interface cables supplied)
Storage	2.5" HDD x 1 (up to 1TB)
Recording Rate	NTSC: D1 60FPS, 2CIF 120 FPS, CIF 240 FPS PAL: D1 50 FPS, 2CIF 100 FPS, CIF 200 FPS (Per camera resolutions and record rates can be set individually per camera through the OSD menus up to the maximum record capacity of 240 NTSC (200 PAL) CIF equivalent FPS)
Recording Mode	Continuous recording, event recording, continuous + event recording (Rate and resolution in each mode set independently per camera)
Record Quality	Adjustable in five levels per camera per Record Mode
Pre Alarm Recording	Optional ; 5 second interval
Playback Rate	NTSC: D1 60 FPS, 2CIF 120 FPS, CIF 240 FPS PAL: D1 50 FPS, 2CIF 100 FPS, CIF 200 FPS
Playback Search	Time/date, event search
Video Loss Detection	Yes
Event Alarm	Fan failure, hard disk temperature, hard disk failure, hard disk full, hard disk removed, power loss (after power is restored), network loss, GPS loss, GPS speed, GPS fencing, G sensor limits
Email Alert	Multiple email notifications in response to alarms and events. (Requires real time network connectivity though cellular or WiFi service).
G Sensor	Optional External GPS Sensor for speed and geographic limit alarms (rectangular or circular fencing)
GPS Function	Optional External GPS Sensor for speed and geographic limit alarms (rectangular or circular fencing)
Configuration Method	On screen menu with 'portable monitor friendly' graphical user interface
Control/Setup	IR remote control, USB mouse, network I/F
Real Time Clock	Can be synchronized to GPS/NTP time source; flexible DST settings
Watchdog Function	Reboots DVR automatically if required
Networking	RJ45 socket, 10/100Mbps; 802.11b/g WiFi, diversity antennas TCP-IP/DHCP/PPPoE/DDNS/SMTP/SSL/POP3/HTTP/NTP
System Warnings	System fail LED : HDD full, HDD/Sys Temp, Fan fail, HDD fail LED : HDD power off, HDD failure
File Export	USB 2.0 interface
Interfaces	RS-232 x 2, RS-485, USB x 3, GPS port
Power Source	10V~36VDC (Built in surge protection, voltage regulation, programmable Delay On/Off relative to ignition or other switched voltage) Total current 5.5 amps @ 12VDC with 4ch x 450mA cameras
Camera Power Outputs	900mA for camera 1~2 and 900mA for camera 3~4. Vibration resistant locking Molex connectors – interface cable provided to coaxial power plugs: 2 x groups of 2 cameras
Dimensions (W x D x H)	DVR alone: 178 x 50 x 199mm/7" x 2" x 7.8" (1-DIN size) DVR in mount with antennas 272 x 145 x 224mm/10.7" x 5.7" x 8.8"
Weight	DVR without mount 1.7kg/3.75lbs. DVR with mount 2.15kg/4.74lbs
Operating Temperature	Working Temperature: -40°C~55°C/-40F~131°F Storage Temperature: -40°C~85°C/-40F~185°F

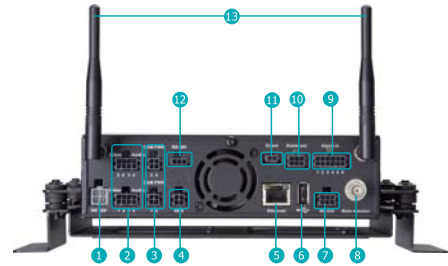
Major Operating Controls

Front View



- 1 USB Port
- 2 Audio Out
- 3 Main Monitor
- 4 System Status LEDs

Rear View

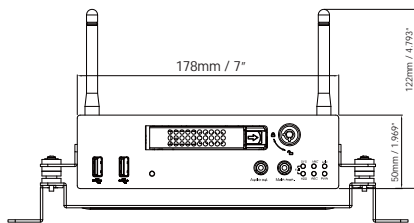


- 1 Power Input
- 2 Video & Audio Input (4)
- 3 Camera Power Output (4)
- 4 GPS Data Input
- 5 Network Connector
- 6 USB Port
- 7 GPS Data Input
- 8 RS232
- 9 Main Monitor Out
- 10 Alarm Input (6)
- 11 Alarm Output (2 x Form 'C')
- 12 Event Input
- 13 RS485 Input
- 14 802.11 b/g WiFi

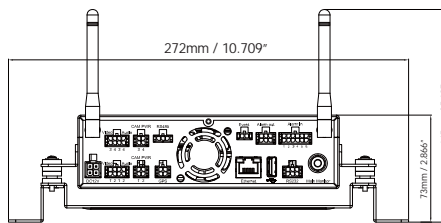
• Front & back panel controls vary depending on models

Dimensions

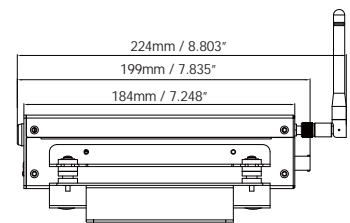
Front View



Rear View

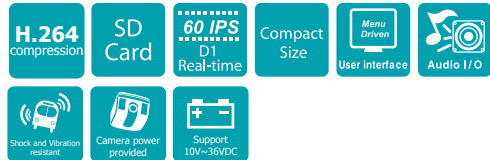


Side View



EMV200

2 Channels Extra Compact SD Card Mobile DVR



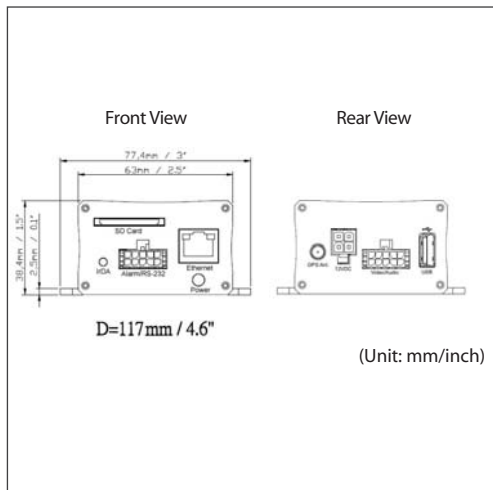
NEW



Features

- 2Channels of video and audio recording
- Recording Rate : 60fps @ D1 resolution (with global settings; record rate, resolution and quality can be set independently)
- H.264 compression format for efficient storage and network utilization
- Special Graphical User Interface design for use with mobile small-sized monitors
- Molex connectors for shock & vibration resistance; interface cables to BNC, RCA and power jacks supplied
- Alarm Inputs & Outputs : 2 & 1
- Plug-and-play SD card recording, bumpy road proof
- Supports multiple interfaces: RS-232, USB 2.0, wired Ethernet, IR Remote Control
- Provides camera power for 2 cameras; interface cables to power jacks supplied
- Optional External EDGE/GPRS/CDMA/WI-FI Modules for cellular/specialized wireless Transmission
- GPS function tracks speed and geographic limits (optional external GPS receiver)
- Power Supply : 10V~36VDC with Surge Protection, Voltage Regulator, programmable Delay on/off
- Temperature : -40°C ~ 55°C (Operating), -40°C ~ 85°C (Non-Operating)

Dimensions



Specifications

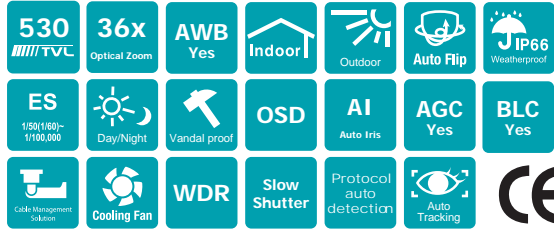
Video Format	NTSC/PAL (auto detected by system)
Operating System	Embedded Linux with special small monitor friendly GUI
Video Input	2 channels (vibration resistant locking Molex connectors – Interface cables to BNC)
Video Output	Main monitor: 1 composite BNC RCA output
Video Compression	H.264, support 2nd streaming
Recording Resolutions	NTSC: 720x480/720x240/360x240PAL: 720x576/720x288/360x288
Audio Inputs	2 line in (vibration resistant locking Molex connectors - Interface cables to RCA)
Audio Outputs	1 RCA line out
Alarm Inputs	2 alarm inputs (vibration resistant locking Molex connectors - Interface cables supplied)
Alarm Outputs	1 alarm outputs (interface cables supplied)
Storage	1 SD card storage medium with anti-shock cover
Recording Rate	NTSC: D1 60fps, PAL: D1 50fps
Recording Mode	Continuous recording, event recording, continuous + event recording (Rate and resolution in each mode set independently per camera)
Record Quality	Adjustable in five levels per camera per Record Mode
Pre Alarm Recording	Optional; 5 second interval
Playback Rate	NTSC: D1 60fps, PAL: D1 50fps
Playback Search	Time/date, event search
Video Loss Detection	Yes
Event Alarm	SD card error, SD card temperature, SD card Full, SD card Off, Power Loss, Network Loss, GPS loss, GPS speed, GPS fencing
Email Alert	Multiple email notifications in response to alarms and events. (Requires real time network connectivity though cellular or WiFi service).
GPS Function	Optional External GPS Sensor for speed and geographic limit alarms (rectangular or circular fencing)
Configuration Method	On screen menu with 'portable monitor friendly' graphical user interface
Control/Setup	IR remote control, USB mouse, network I/F
Real Time Clock	Can be synchronized to GPS/NTP time source; flexible DST settings
Watchdog Function	Reboots DVR automatically if required
Networking	RJ45 socket, 10/100Mbps TCP-IP/DHCP/PPPoE/DDNS/SMT/SSL/POP3/HTTP/NTP
Interface	RS-232, USB 2.0
Power Source	13.8VDC nominal; 10V~36VDC range (Built in surge protection, voltage regulation, programmable Delay On/Off relative to ignition or other switched voltage)
Dimensions	117 x 63 x 38.4mm / 4.6"x 2.5"x 1.5"
Weight	300g / 0.66lbs.
Operating Temp.	Working Temperature: -10°~55° Storage Temperature: -40°~85°



PTZ Cameras

EPTZ3650/3650i

530TVL Outdoor/Indoor Speed Dome with Auto Tracking, WDR & True Day/Night (36x Optical Zoom)



Outdoor

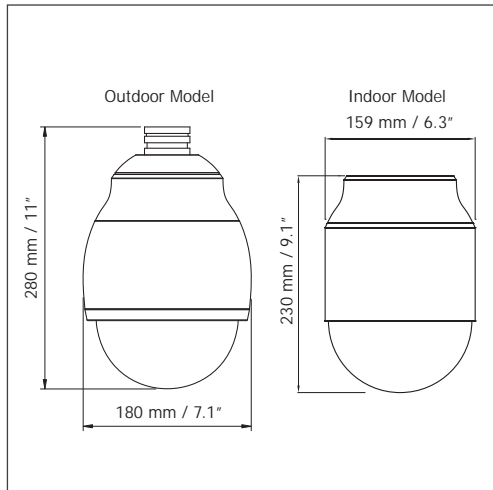


Indoor

Features

- Support smart auto tracking functions such as exclusive masking, pan/tilt limits, various lost modes, tracking on patrol and various resume functions.
- One-click easy installation
- True Day/Night function with removable IR cut filter
- Wide Dynamic Range (WDR)
- Digital Slow Shutter (DSS)
- Privacy Zone Masking
- From super low [0.01°/sec] to high fast [360°/sec] pan/tilt speed
- IP66 rated housing for any-weather outdoor use
- Maximum 192 preset positions available
- Programmable autopan/16 tours/4 patterns
- 4 priority alarm inputs & 2 alarm outputs
- Smart alarm reaction & resume after alarm
- Enhanced auto-resume & power-up function
- Digital Flip function
- Power consumption: 30W max

Dimensions



Specifications

Product Model	EPTZ3650 (outdoor)	EPTZ3650i (indoor)
Pickup Device	1/4" Sony Ex-View HAD CCD	
Video Format	NTSC/PAL	
Scanning System	NTSC: 525TVL, 60 fields/sec; PAL: 625TVL, 50 fields/sec. 768 x 494 (NTSC); 752 x 582 (PAL)	
Horizontal Resolution	530TVL	
Min. Illumination	Normal: 1.4 lux/ 1/60 (1/50)sec; Night Mode: 0.01 lux/ 1/4 (1/3) sec (ICR ON)	
S/N Ratio (AGC OFF)	50dB	
Electronic Shutter	1 ~ 1/10,000 (s)	
Digital Slow Shutter	60x (50x for PAL)	
Shutter Selection	AUTO; A.FLK; Manual 1~1/10,000 selectable	
Lens Type	36x optical zoom, f=3.4 mm (wide) to 122.4mm (tele), F1.6 to F4.5	
Zoom Ratio	432x max (36x Optical and 12x Digital Zoom)	
True Day & Night	Yes, (Auto/Day/Night)	
Auto Gain Control	Yes, (Auto/Manual)	
Backlight Comp.	Yes, (OFF; ON)	
Wide Dynamic Range	Yes, (OFF; ON)	
White Balance	Auto; Indoor; Outdoor	
Auto Tracking	Exclusive Mask, Pan/Tilt Limits, Lost Mode, Manual Target Tracking	
Motion Detection	Yes, (4 zone)	
Privacy Zone Masking	Yes, (8 zone)	
Video Output	1Vp-p/75ohm	
Sync. Mode	Internal	
Focus Control	One Push/Auto/Manual	
Horizontal Rotation Speed	0.01°/s-360°/s (1-255 grade shift gears)	
Manual Pan/Tilt Speed	Pan: 0.01°~180°/s; Tilt: 0.01°~180°/s	
Position Accuracy	±0.1°	
Horizontal Rotation Range	360° unlimited rotation	
Tilt Rotation Range	180° pendulum motion	
Auto Speed Control	Control speed auto-adjusted according to zoom length changing	
Auto Pan, 2 Points Scanning	Can set freely	
Auto Pan Speed	1-255 grade available, 0.01°/s - 360°/s	
Dwell Time (2 points)	1-99 second available	
Preset Positions	192 positions	
Running to Position Speed	1-255 grade available, 0.01°/s - 360°/s	
Dwell Time at Preset Position	1-99 second available	
Tour	16 groups	
Tour Point per Group	16 preset positions	
Pattern	4 patterns with 90 sec long each	
Alarm	4 in 2 out with tour/position auto triggering	
Fan	Auto starts	
Built-in Menu for Functions	Yes	
Communication	RS-485	
Communication Speed	1200/2400/4800/9600bps	
Built-in Protocols	AUTO; EVF; Pelco-P; Pelco-D/Plus-D; A-Type; Panasonic	
Address Editable	Yes (through DIP switch)	
Speed Dome ID Address	0-255	
Power Source	24VAC	
Power Consumption	30W Max	
Operating Temperature	-40°C~50°C ≤ 95%/ -40°F~122°F ≤ 95%(EPTZ3650) -10°C~50°C ≤ 85%/ 14°F~122°F ≤ 85%(EPTZ3650i)	
Environmental Rating	IP66 for outdoor EPTZ3650	
Dimensions (W x H)	180mm x 280mm; 7.1" x 11" (EPTZ3650) 159mm x 230mm; 6.3" x 9.1" (EPTZ3650i)	
Weight	Approx. 3.0kg/6.62lbs	
Certifications	CE, FCC	

EPTZ3150/3150i

520TVL, Outdoor/Indoor Speed Dome with WDR & True Day/Night (30x Optical Zoom)

520 TVL	AWB Yes	Indoor	Outdoor	Auto Flip	IP66 Weatherproof	BLC Yes
ES 1/50(1/60)~ 1/100,000	Day/Night	Vandal proof	OSD	AI Auto Iris	AGC Yes	30x Optical Zoom
Cable Management Solution	Cooling Fan	WDR	Slow Shutter	Protocol auto detection	DNR Yes	CE



Outdoor

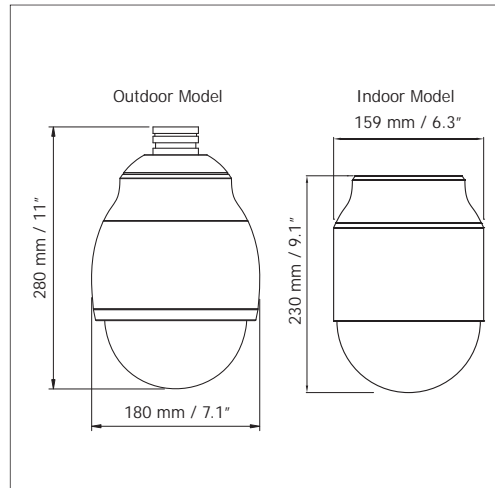


Indoor

Features

- Support smart auto tracking functions such as exclusive masking, pan/tilt limits, various lost modes, tracking on patrol and various resume functions
- One-click easy installation
- True Day/Night function with removable IR cut filter
- Wide Dynamic Range (WDR)
- Digital Slow Shutter (DSS)
- Built-in Dynamic Noise Reduction (DNR)
- Privacy Zone Masking
- From super low [0.01°/sec] to high fast [360°/sec] pan/tilt speed
- IP66 rated housing for any-weather outdoor use
- Maximum 192 preset positions available
- Programmable autopan/16 tours/4 patterns
- 4 priority alarm inputs & 2 alarm outputs
- Smart alarm reaction & resume after alarm
- Enhanced auto-resume & power-up function
- Digital Flip function
- Power consumption:30W max

Dimensions



Specifications

Product Model	EPTZ3150 (outdoor)	EPTZ3150i (indoor)
Pickup Device	1/4" Sony CCD	
Video Format	NTSC/PAL	
Scanning System	NTSC: 525TVL, 60 fields/sec ; PAL: 625TVL, 50 fields/sec. 768 x 494 (NTSC) ; 752 x 582 (PAL)	
Horizontal Resolution	520TVL	
Min. Illumination	Normal: 0.4 Lux/F1.6 ; Night Mode: 0.08 Lux/F1.6 (ICR ON)	
S/N Ratio (AGC OFF)	50dB	
Electronic Shutter	128x~ 1/60(1/50) ~ 1/120,000(s)(NTSC)	
Digital Slow Shutter	128x	
Shutter Selection	AUTO ; A.FLK ; Manual 128x~1/60 (1/50)~1/120,000 selectable	
Lens Type	30x optical zoom, f=3.3 mm (wide) to 99mm (tele), F1.6 to F3.2	
Zoom Ratio	240x max (30x Optical and 8x Digital zoom)	
True Day & Night	Yes, (Auto/Day/Night)	
Auto Gain Control	Yes, (OFF; Low ; Mid ; Hi)	
Backlight Comp.	Yes, (OFF; LOW ; MIDDLE ; HIGH)	
Wide Dynamic Range	Yes, (OFF ; Auto ; ON)	
Dynamic Noise Reduction	Yes,(OFF; Low ; Mid ; Hi)	
White Balance	Indoor / Outdoor/MAN5100K/MAN3200K/MAN2000K/ONE PUSH	
Auto Tracking	Exclusive Mask, Pan/Tilt Limits, Lost Mode, Manual Target Tracking	
Motion Detection	Yes, (OFF ; ON)	
Privacy Zone Masking	Yes, (8 zone)	
Video Output	1Vp-p/75ohm	
Sync. Mode	Internal	
Focus Control	One Push/Auto/Manual	
Horizontal Rotation Speed	0.01°/s~360°/s (1-255 grade shift gears)	
Manual Pan/Tilt Speed	Pan: 0.01°~180°/s ; Tilt: 0.01°~180°/s	
Position Accuracy	±0.1°	
Horizontal Rotation Range	360° unlimited rotation	
Tilt Rotation Range	180° pendulum motion	
Auto Speed Control	Control speed auto-adjusted according to zoom length changing	
Auto Pan, 2 Points Scanning	Can set freely	
Auto Pan Speed	1-255 grade available,0.01°/s – 360°/s	
Dwell Time (2 points)	1-99 second available	
Preset Positions	192 positions	
Running to Position Speed	1-255 grade available,0.01°/s - 360°/s	
Dwell Time at Preset	1-99 second available	
Position	16 groups	
Tour	16 preset positions	
Tour Point per Group	4 patterns with 90 sec long each	
Pattern	4 in 2 out with tour/position auto triggering	
Alarm	Auto starts	
Fan	Yes	
Built-in Menu for Functions	RS-485	
Communication	1200/2400/4800/9600bps	
Communication Speed	AUTO ; EVF ; Pelco-P ; Pelco-D/Plus-D ; A-Type ; Panasonic	
Built-in Protocols	Yes (through DIP switch)	
Address Editable	0-255	
Speed Dome ID Address	24VAC	
Power Source	30W Max	
Power Consumption	-40°C~50°C ≤ 95%/ -40°F~122°F ≤ 95%(EPTZ3150)	
Operating Temperature	-10°C~50°C ≤ 85%/14°F~122°F ≤ 85%(EPTZ3150i)	
Environmental Rating	IP66 for outdoor EPTZ3150	
Dimensions (W x H)	180mm x 280mm ; 7.1" x 11" (EPTZ3150) 159mm x 230mm ; 6.3" x 9.1" (EPTZ3150i)	
Weight	Approx. 3.0kg/6.62lbs	
Certifications	CE, FCC	

* Models vary in different countries. Please visit EverFocus regional websites for detailed ordering information
* Lens models and availability vary in different regions

* All product specifications are subject to change without notice

EPTZ870

540TVL, Outdoor Speed Dome with WDR & Day/Night (37x Optical Zoom)

NEW

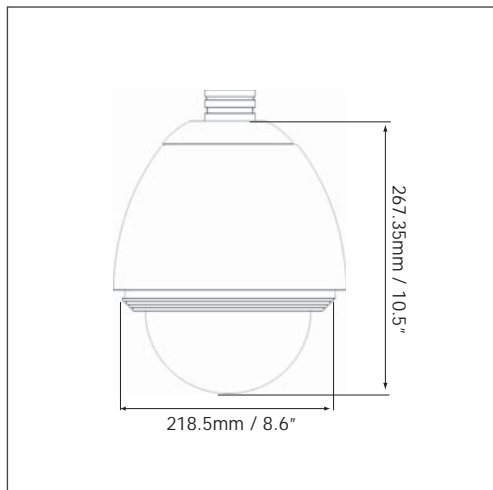


540 TVL	COLOR NTSC, PAL	AWB OSD Setting	ES 1/50(1/60)~ 1/100,000	Outdoor	AI Auto Iris	BLC ON/OFF
IP66 Weatherproof	DSS	WDR	3DNR	PZM	37x Optical Zoom	

Features

- EPTZ870 outdoor housing with wall mount bracket/power/heater/fan
- 1/4 SONY Ex-View CCD with a Digital Slow Shutter (DSS) and Day/Night mode
- 540 TV lines; PAL/NTSC image formats support
- Auto and fast focus increases the searching speed and precision
- Auto iris adjusts the monitoring image to the best brightness
- White balance function makes the shades of colour more natural in different light conditions
- Colour / B&W images auto switching to enhance the sensitivity in a low light condition or at night
- Wide Dynamic Range (WDR) allows dark portions of a bright image to be shown clear, enhancing details in scenes and removing noise(option)
- 3D Noise Reduction (3DNR) produces clear picture quality even under low light condition and efficiently reduces HDD consumption
- Support Privacy Zone Masking (PZM) up to 8 zones
- Excellent position accuracy to ± 0.1 degree
- From super low [0.01°/sec] to high fast [360°/sec] pan/tilt speed
- Support digital flip
- 192 preset positions are available
- 16 cruise tours and each tour contains up to 16 positions
- 1 pattern with up to 60 second recording space
- Up to 256 speed domes can be supported on a RS-485 bus when all speed domes are controlled by EverFocus EKB500 keyboard controller
- Built-in 4 alarm inputs and 1 alarm output
- Auto heater and fan to fit all kinds of temperature
- Weatherproof IP66 rated

Dimensions



Specifications

Image Sensor	1/4" SONY Ex-View CCD
Zoom Ratio	37x Optical Zoom
Lens	37x Optical Zoom (F1.56 Wide End, F4.09 Tele End, f=3.5~129mm)
Horizontal Resolution	540 TVL
Min. Illumination	Colour: 0.6 (0.003) Lux (Sens-up ON) B/W: 0.1 (0.0001) Lux (Sens-up ON)
Electronic Shutter Speed	Auto/Off/A.FLK/Manual 1/60s(50s) ~ 1/90,000s
Digital Slow Shutter (DSS)	Up to 128x
Day/Night Mode	Auto/Day/Night
S/N Ratio	more than 50dB (AGC Off)
Iris	Auto/Manual
Focus	Auto/Manual/One Push
White Balance	Auto/Indoor/Outdoor/Manual
Backlight Comp	High/Middle/Low/Off
Auto Gain Control (AGC)	High/Middle/Low/Off
Wide Dynamic Range (WDR)	High/Middle/Low/Off
Privacy Zone Masking (PZM)	On (8 Zones)/Off
Noise Reduction	High/Middle/Low/Off
Preset Point	Up to 192 Preset Points
Built-In Protocols	EVF-1, PELCO-D, PELCO-P, AUTO, HKV1, BSH
Horizontal Rotation Range	360° unlimited rotation
Tilt Rotation Range	180° pendulum rotation, support digital flip
Running to Position Speed	1-239 grade available, 0.01°/s~360°/s
Dwell Time at Preset Position	1-239s available
Position Accuracy	$\pm 0.1^\circ$
Manual Pan/Tilt Speed	0.01°/s~180°/s
Proportional Pan Speed	Control speed auto-adjusted according to zoom length changing
Auto Pan (2 points scanning)	Can set freely
Auto Pan Speed	1-239 grade available
Dwell Time (2 points)	1-239s available
Tour	16 groups
Tour Points per Group	16 preset positions
Pattern	1 pattern with up to 60 second
Alarm	4 in 1 out with tour/position auto triggering
Address Editable	Yes (through DIP switch)
ID Address	0-255
Communication	Standard RS-485
Communication Speed	1200/2400/4800/9600bps
Fan / Heater	Fan/heater auto starts
Operating Temperature	-40°C ~ 60°C / -40°F ~ 140°F
Operating Moisture	$\pm 95\%$
Power Supply	24VAC
Power Consumption	18W max without heater; 70W max with heater
Dimensions	Approx. 218.5 (W) x 267.35 (H) mm / 8.6" (W) x 10.5" (H)
Weight	Approx. 4.2 kg / 9.25lb
Certifications	CE, FCC
Weather Resistant	IP66

EPTZ470

540TVL, Indoor Speed Dome with WDR & Day/Night (37x Optical Zoom)

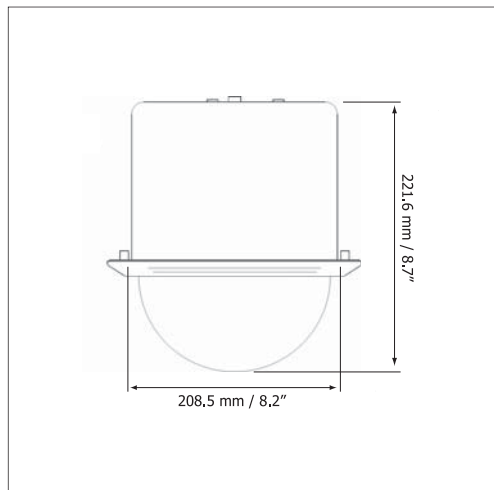


540 TVL	COLOR NTSC, PAL	AWB OSD Setting	ES 1/50(1/60)- 1/100,000	Indoor	AI Auto Iris	BLC ON/OFF
DSS	WDR	3DNR	PZM	37x Optical Zoom		

Features

- EPTZ470 indoor recessed mount
- 1/4 SONY Ex-View CCD with a Digital Slow Shutter (DSS) and Day/Night mode
- 540 TV lines; PAL/NTSC image formats support
- Auto and fast focus increases the searching speed and precision
- Auto iris adjusts the monitoring image to the best brightness
- White balance function makes the shades of colour more natural in different light conditions
- Colour / B&W images auto switching to enhance the sensitivity in a low light condition or at night
- Wide Dynamic Range (WDR) allows dark portions of a bright image to be shown clear, enhancing details in scenes and removing noise(option)
- 3D Noise Reduction (3DNR) produces clear picture quality even under low light condition and efficiently reduces HDD consumption
- Support Privacy Zone Masking (PZM) up to 8 zones
- Excellent position accuracy to ±0.1 degree
- From super low [0.01°/sec] to high fast [360°/sec] pan/tilt speed
- Support digital flip
- 192 preset positions are available
- 16 cruise tours and each tour contains up to 16 positions
- 1 pattern with up to 60 second recording space
- Up to 256 speed domes can be supported on a RS-485 bus when all speed domes are controlled by EverFocus EKB500 keyboard controller
- Built-in 4 alarm inputs and 1 alarm output

Dimensions



Specifications

Image Sensor	1/4" SONY Ex-View CCD
Zoom Ratio	37x Optical Zoom
Lens	37x Optical Zoom (F1.56 Wide End, F4.09 Tele End, f=3.5~129mm)
Horizontal Resolution	540 TVL
Min. Illumination	Colour: 0.6 (0.003) Lux (Sens-up ON) B/W: 0.1 (0.0001) Lux (Sens-up ON)
Electronic Shutter Speed	Auto/Off/A.FLK/Manual 1/60s(50s) ~ 1/90,000s
Digital Slow Shutter (DSS)	Up to 128x
Day/Night Mode	Auto/Day/Night
S/N Ratio	more than 50dB (AGC Off)
Iris	Auto/Manual
Focus	Auto/Manual/One Push
White Balance	Auto/Indoor/Outdoor/Manual
Backlight Comp	High/Middle/Low/Off
Auto Gain Control (AGC)	High/Middle/Low/Off
Wide Dynamic Range (WDR)	High/Middle/Low/Off
Privacy Zone Masking (PZM)	On (8 Zones)/Off
Noise Reduction	High/Middle/Low/Off
Preset Point	Up to 192 Preset Points
Built-In Protocols	EVF-1, PELCO-D, PELCO-P, AUTO, HKVI, BSH
Horizontal Rotation Range	360° unlimited rotation
Tilt Rotation Range	180° pendulum rotation, support digital flip
Running to Position Speed	1-239 grade available, 0.01°/s~360°/s
Dwell Time at Preset Position	1-239s available
Position Accuracy	±0.1°
Manual Pan/Tilt Speed	0.01°/s~180°/s
Proportional Pan Speed	Control speed auto-adjusted according to zoom length changing
Auto Pan (2 points scanning)	Can set freely
Auto Pan Speed	1-239 grade available
Dwell Time (2 points)	1-239s available
Tour	16 groups
Tour Points per Group	16 preset positions
Pattern	1 pattern with up to 60 second
Alarm	4 in 1 out with tour/position auto triggering
Address Editable	Yes (through DIP switch)
ID Address	0-255
Communication	Standard RS-485
Communication Speed	1200/2400/4800/9600bps
Operating Temperature	0°C ~ 40°C / 32°F ~ 104°F
Operating Moisture	±95%
Power Supply	24VAC
Power Consumption	18W max without heater; 70W max with heater
Dimensions	Approx. 208.5 (W) x 221.6 (H) / 8.2" (W) x 8.7" (H))
Weight	Approx. 3.2 kg / 7.05 lb
Certifications	CE, FCC

* Models vary in different countries. Please visit EverFocus regional websites for detailed ordering information
* Lens models and availability vary in different regions

* All product specifications are subject to change without notice

EPTZ830

540TVL, Outdoor Speed Dome with Day/Night (22x Optical Zoom)

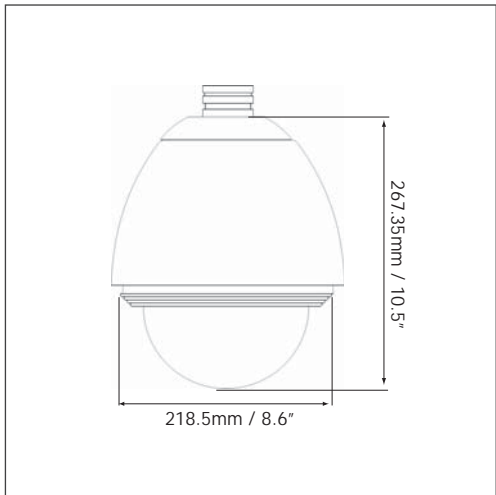


540 TVL	COLOR NTSC, PAL	AWB OSD Setting	ES 1/50(1/60)~ 1/100,000	Outdoor	AI Auto Iris	BLC ON/OFF
IP66 Weatherproof	DSS	3DNR	PZM	22x Optical Zoom		

Features

- EPTZ830 outdoor housing with wall mount bracket/power/heater/fan
- 1/4 SONY Super HAD CCD II with a Digital Slow Shutter (DSS) and Day/Night mode
- 540 TV lines; PAL/NTSC image formats support
- Auto and fast focus increases the searching speed and precision
- Auto iris adjusts the monitoring image to the best brightness
- White balance function makes the shades of colour more natural in different light conditions
- Colour / B&W images auto switching to enhance the sensitivity in a low light condition or at night
- 3D Noise Reduction (3DNR) produces clear picture quality even under low light condition and efficiently reduces HDD consumption
- Support Privacy Zone Masking (PZM) up to 8 zones
- Excellent position accuracy to ±0.1 degree
- From super low [0.01°/sec] to high fast [360°/sec] pan/tilt speed
- Support digital flip
- 192 preset positions are available
- 16 cruise tours and each tour contains up to 16 positions
- 1 pattern with up to 60 second recording space
- Up to 256 speed domes can be supported on a RS-485 bus when all speed domes are controlled by EverFocus EKB500 keyboard controller
- Built-in 4 alarm inputs and 1 alarm output
- Auto heater and fan to fit all kinds of temperature
- Weatherproof IP66 rated

Dimensions



Specifications

Image Sensor	1/4" SONY Super HAD CCD II
Zoom Ratio	22x Optical Zoom
Lens	22x Optical Zoom (F1.5 Wide End, F3.0 Tele End, f=3.3~73mm)
Horizontal Resolution	540 TVL
Min. Illumination	Colour: 0.001(0.3) Lux (Sens-up OFF) B/W: 0.00005(0.05) Lux (Sens-up OFF)
Electronic Shutter Speed	Auto/Off/A.FLK/Manual 1/60s(50s) ~ 1/90000s
Digital Slow Shutter (DSS)	Up to 128x
Day/Night Mode	Auto/Day/Night
S/N Ratio	more than 50dB (AGC Off)
Iris	Auto/Manual
Focus	Auto/Manual/One Push
White Balance	Auto/Indoor/Outdoor/Manual
Backlight Comp	High/Middle/Low/Off
Auto Gain Control (AGC)	High/Middle/Low/Off
Privacy Zone Masking (PZM)	On (8 Zones)/Off
Noise Reduction	High/Middle/Low/Off
Preset Point	Up to 192 Preset Points
Built-In Protocols	Everfocus, Pelco-D, Pelco-P, Samsung
Horizontal Rotation Range	360° unlimited rotation
Tilt Rotation Range	180° pendulum rotation, support digital flip
Running to Position Speed	1-239 grade available, 0.01°/s~360°/s
Dwell Time at Preset Position	1-239s available
Position Accuracy	±0.1°
Manual Pan/Tilt Speed	0.01°/s~180°/s
Proportional Pan Speed	Control speed auto-adjusted according to zoom length changing
Auto Pan (2 points scanning)	Can set freely
Auto Pan Speed	1-239 grade available
Dwell Time (2 points)	1-239s available
Tour	16 groups
Tour Points per Group	16 preset positions
Pattern	1 pattern with up to 60 second
Alarm	4 in 1 out with tour/position auto triggering
Address Editable	Yes (through DIP switch)
ID Address	0-255
Communication	Standard RS-485
Communication Speed	1200/2400/4800/9600bps
Fan / Heater	Fan/heater auto starts
Operating Temperature	-40°C ~ 60°C / -40°F ~ 140°F
Operating Moisture	±95%
Power Supply	24VAC
Power Consumption	18W max without heater; 70W max with heater
Dimensions	Approx. 218.5 (W) x 267.35 (H) mm / 8.6" (W) x 10.5" (H)
Weight	Approx. 4.2 kg / 9.25lb
Certifications	CE, FCC
Weather Resistant	IP66

EPTZ430

540TVL, Indoor Speed Dome with Day/Night
(22x Optical Zoom)



540 TVL	COLOR NTSC, PAL	AWB OSD Setting	ES 1/50(1/60)- 1/100,000	Indoor	AI Auto Iris	BLC ON/OFF
DSS	3DNR	PZM	22x Optical Zoom			

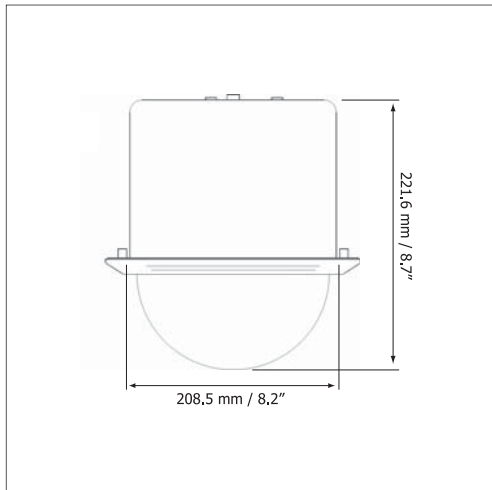


PTZ Cameras

Features

- EPTZ430 indoor recessed mount
- 1/4 SONY Super HAD CCD II with a Digital Slow Shutter (DSS) and Day/Night mode
- 540 TV lines; PAL/NTSC image formats support
- Auto and fast focus increases the searching speed and precision
- Auto iris adjusts the monitoring image to the best brightness
- White balance function makes the shades of colour more natural in different light conditions
- Colour / B&W images auto switching to enhance the sensitivity in a low light condition or at night
- 3D Noise Reduction (3DNR) produces clear picture quality even under low light condition and efficiently reduces HDD consumption
- Support Privacy Zone Masking (PZM) up to 8 zones
- Excellent position accuracy to ±0.1 degree
- From super low [0.01°/sec] to high fast [360°/sec] pan/tilt speed
- Support digital flip
- 192 preset positions are available
- 16 cruise tours and each tour contains up to 16 positions
- 1 pattern with up to 60 second recording space
- Up to 256 speed domes can be supported on a RS-485 bus when all speed domes are controlled by EverFocus EKB500 keyboard controller
- Built-in 4 alarm inputs and 1 alarm output

Dimensions



Specifications

Image Sensor	1/4" SONY Super HAD CCD II
Zoom Ratio	22x Optical Zoom
Lens	22x Optical Zoom (F1.5 Wide End, F3.0 Tele End, f=3.3~73mm)
Horizontal Resolution	540 TVL
Min. Illumination	Colour: 0.001(0.3) Lux (Sens-up OFF) B/W: 0.00005(0.05) Lux (Sens-up OFF)
Electronic Shutter Speed	Auto/Off/A.FLK/Manual 1/60s(50s) ~ 1/90000s
Digital Slow Shutter (DSS)	Up to 128x
Day/Night Mode	Auto/Day/Night
S/N Ratio	more than 50dB (AGC Off)
Iris	Auto/Manual
Focus	Auto/Manual/One Push
White Balance	Auto/Indoor/Outdoor/Manual
Backlight Comp	High/Middle/Low/Off
Auto Gain Control (AGC)	High/Middle/Low/Off
Privacy Zone Masking (PZM)	On (8 Zones)/Off
Noise Reduction	High/Middle/Low/Off
Preset Point	Up to 192 Preset Points
Built-In Protocols	Everfocus, Pelco-D, Pelco-P, Samsung
Horizontal Rotation Range	360° unlimited rotation
Tilt Rotation Range	180° pendulum rotation, support digital flip
Running to Position Speed	1-239 grade available, 0.01°/s~360°/s
Dwell Time at Preset Position	1-239s available
Position Accuracy	±0.1°
Manual Pan/Tilt Speed	0.01°/s~180°/s
Proportional Pan Speed	Control speed auto-adjusted according to zoom length changing
Auto Pan (2 points scanning)	Can set freely
Auto Pan Speed	1-239 grade available
Dwell Time (2 points)	1-239s available
Tour	16 groups
Tour Points per Group	16 preset positions
Pattern	1 pattern with up to 60 second
Alarm	4 in 1 out with tour/position auto triggering
Address Editable	Yes (through DIP switch)
ID Address	0-255
Communication	Standard RS-485
Communication Speed	1200/2400/4800/9600bps
Operating Temperature	0°C ~ 40°C / 32°F ~ 104°F
Operating Moisture	±95%
Power Supply	24VAC
Power Consumption	18W max without heater; 70W max with heater
Dimensions	Approx. 208.5 (W) x 221.6 (H) / 8.2" (W) x 8.7" (H))
Weight	Approx. 3.2 kg / 7.05 lb
Certifications	CE, FCC

* Models vary in different countries. Please visit EverFocus regional websites for detailed ordering information
* Lens models and availability vary in different regions

* All product specifications are subject to change without notice

EPTZ3000

520TVL, Outdoor Speed Dome with WDR & Day/Night (30x Optical Zoom)



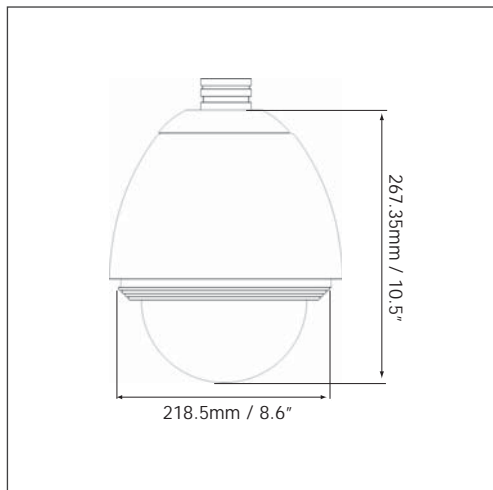
Features

- 520TVL (Colour)/570TVL (Black and White)
- Day/Night function
- Wide Dynamic Range for surveillance with extreme lighting conditions
- Improve image quality in scenes consisting of bright and dark area
- White balance function creates natural shades of colour
- Auto switch colour to black & white to enhance light sensitivity at night or in low light conditions
- Auto flip 180° rotation for continuous viewing
- Auto iris adjusts the monitoring image to the best brightness
- Integrated privacy zone masking feature
- Built-in heater and fan to tolerate low temperature
- Weatherproof IP66 rated to endure all weather conditions

Specifications

Pickup Device	1/4" Vertical double density interline CCD
Video Format	NTSC/PAL
Scanning System	NTSC: 525TVL, 60 fields/sec ; PAL: 625TVL, 50 fields/sec.
Picture Elements	768 x 494 (NTSC) ; 752 x 582 (PAL)
Horizontal Resolution	520TVL: Colour ; 570TVL: B/W
Sensitivity	0.3 Lux/F1.6 Colour ; 0.05 Lux/F1.6 B/W
S/N Ratio (AGC OFF)	Over 52dB
Electronic Shutter	128x~ 1/60 (1/50) ~ 1/120,000 (s)(NTSC)
Digital Slow Shutter	OFF: 4x, 8x, 12x, 16x, 32x,64x,128x selectable
Shutter Selection	Auto ; A.FLK ; Manual (x8 ~ 1/120,000) selectable
Lens Type	30x optical, f=3.3 mm (wide) to 99mm (tele), F1.6 to F3.2
Zoom Ratio	240x max (30x Optical and 8x Digital Zoom)
True Day/Night	Auto/Manual ICR
Auto Gain Control	Auto/Manual
White Balance	Auto Indoor/Auto Outdoor/One push/ Man 2000k, 3200k, 5100k selectable
Video Output	BNC, 1Vp-p/75ohm
Sync. Mode	Line Lock/Internal sync
Focus Control	One push/Auto/Manual
Horizontal Rotation Speed	0.01°/s~360°/s (1-239 grade shift gears)
Horizontal Rotation Range	360° unlimited rotation
Tilt Rotation Range	180° pendulum motion
Auto Zoom Speed Control	Control speed auto-adjusted according to zoom length changing
Auto Pan, 2 Points Scanning	Can set freely
Auto Pan Speed	1~239 grades available
Dwell Time (2 points)	1~239 second available
Preset Positions	192 positions
Running to Position Speed	1~239 grade available, 0.01°/s – 360°/s
Tour	16 groups
Tour Point per Group	16 preset positions
Fan & Heater	Auto starts
Position Accuracy	±0.1°
Alarm	4 inputs/1 output with tour/position auto triggering
Built-in Menu for Functions	Yes
Communication	RS-485
Communication Speed	1200/2400/4800/9600 bps
Built-in Protocols	EVF-1, Pelco-P, Pelco-D, Plus-D, A-Type, Plus-D
Address Editable	Yes (through DIP switch)
Speed Dome ID Address	0-255
Manual Pan/tilt speed	Pan: 0.01° ~ 180°/s ; Tilt: 0.01° ~ 180°/s
Power Source	24VAC
Power Consumption	18W ; 70W with heater
Operating Temperature	-40°C~50°C/-40°F ~ 122°F
Weatherproof Ratings	IP66
Dimensions (W x H)	218.5mm x 267.5mm/8.6" x 10.5"
Weight	4.2kg/9.25lbs
Certifications	CE, FCC

Dimensions



EPTZ1000

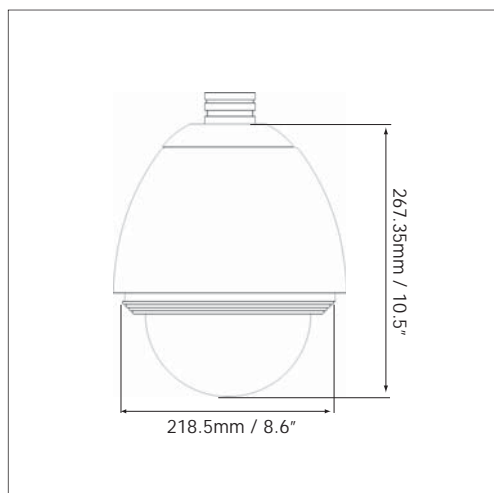
460TVL, Outdoor Weatherproof Speed Dome with 18x Optical Zoom



Features

- 1/4" SONY Interline Transfer Super HAD CCD with 460TVL of horizontal resolution
- Auto Pan/Tilt/Zoom function
- 192 preset positions available
- 16 cruise tours can be set (each tour contains up to 16 positions)
- Up to 256 speed domes can be supported on the RS-485 bus
- 4 alarm inputs, 1 alarm output
- Auto iris adjusts the monitoring image to the best brightness
- Integrated privacy zone masking feature
- Built-in heater and fan to tolerate low temperatures
- Weatherproof IP66 rated to withstand all weather conditions

Dimensions



Specifications

Pickup Device	1/4" Sony Type Exview HAD CCD
Video Format	NTSC/PAL
Scanning System	NTSC: 525TVL, 60 fields/sec ; PAL: 625TVL, 50 fields/sec.
Picture Elements	768 x 494 (NTSC) ; 752 x 582 (PAL)
Horizontal Resolution	460TVL
Sensitivity	0.7 Lux/F1.4
S/N Ratio (AGC OFF)	Over 50dB
Electronic Shutter	1~ 1/10,000 (s)
Digital Slow Shutter	Yes
Shutter Selection	Yes
Lens Type	18x optical zoom, f=4.1 mm (wide)~73.8mm (tele), F=1.4~3.0
Zoom Ratio	216x max (18x Optical and 12x Digital Zoom)
Auto ICR	Yes
Back Light Comp.	On/Off
Auto Gain Control	Auto
White Balance	Auto/Indoor/Outdoor
Video Output	BNC, 1Vp-p/75ohm
Sync. Mode	Line Lock/Internal sync
Focus Control	One push/Auto/Manual
Horizontal Rotation Speed	0.01°/s~360°/s (1-239 grade shift gears)
Horizontal Rotation Range	360° unlimited rotation
Tilt Rotation Range	90° pendulum motion
Auto Flip	Rotates 180° when camera tilts to the vertical position
Auto Speed Control	Control speed auto-adjusted according to zoom length changing
Auto Pan, 2 Points Scanning	Can set freely
Auto Pan Speed	1~239 grades available
Dwell Time (2 points)	1~239 second available
Preset Positions	192 positions
Running to Position Speed	1~239 grade available, 0.01°/s~360°/s
Dwell Time at Preset Position	1~239 second available
Tour	16 groups
Tour Point per Group	16 preset positions
Fan & Heater	Auto starts
Position Accuracy	±0.1°
Alarm	4 inputs/1 output with tour/position auto triggering
Built-in Menu for Functions	Yes
Communication	RS-485
Communication Speed	1200/2400/4800/9600 bps
Built-in Protocols	EVF-1, Pelco-P, Pelco-D, Plus-D, A-Type, Plus-D
Address Editable	Yes (through DIP switch)
Speed Dome Address	0-255
Manual Pan/Tilt Speed	Pan: 0.01°~180°/s ; Tilt: 0.01°~180°/s
Power Source	24VAC
Power Consumption	18W; 70W with heater
Operating Temperature	-40°C~50°C/-40°F~122°F
Weatherproof Ratings	IP66
Dimensions (W x H)	218.5mm x 267.5mm/8.6" x 10.5"
Weight	4.2kg/9.25lbs
Certifications	CE, FCC

* Models vary in different countries. Please visit EverFocus regional websites for detailed ordering information
 * Lens models and availability vary in different regions

* All product specifications are subject to change without notice

EPTZ500

460TVL, Indoor Recessed Speed Dome with 18x Optical Zoom



460 TVL
COLOR NTSC, PAL
AWB Digital
ES 1/50,1/60~1/100,000
Indoor!
AI Auto Iris
BLC ON/OFF
18x Optical Zoom

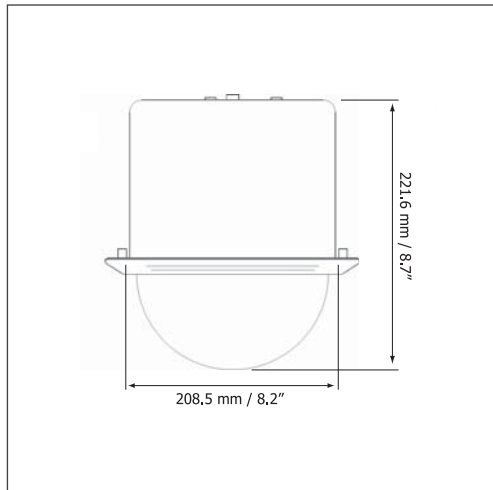
Features

- 1/4" SONY Interline Transfer Super HAD CCD with 460TVL of horizontal resolution
- Auto Pan/Tilt/Zoom function
- 192 preset positions are available
- 16 cruise tours can be set (each tour contains up to 16 positions)
- Up to 256 speed domes can be supported on the RS-485 bus
- Auto iris adjusts the monitoring image to the best brightness
- Integrated privacy zone masking feature
- Supports EverFocus, Pelco-D, Pelco-P & Samsung Protocols
- Suitable for any indoor application

Specifications

Pickup Device	1/4 SONY Type Exview HAD CCD
Video Formate	NTSC/PAL
Scanning System	NTSC: 525TVL, 60 fields/sec ; PAL: 625TVL, 50 fields/sec
Picture Elements	768 x 494 (NTSC), 752 x 582 (PAL)
Horizontal Resolution	460TVL
Sensitivity	0.7 Lux/F=1.4
S/N Ratio (AGC OFF)	Over 50dB
Electronic Shutter	1~1/10,000 (s)
Digital Slow Shutter	Yes
Shutter Selection	Yes
Lens Type	18x optical zoom, f=4.1mm (wide)~73.8mm (tele), f=1.4~3.0
Zoom Ratio	216x max (18x Optical and 12x Digital Zoom)
Auto ICR	Yes
Black Light Comp.	ON/OFF
Auto Gain Control	Auto
White Balance	Auto/Indoor/Outdoor
Video Output	BNC 1.0Vp-p, 75ohm
Sync. Mode	Line Lock/Internal Sync
Focus Control	One push/Auto/Manual
Horizontal Rotation Speed	0.1°/s~360°/s (1-239 grade shift gears)
Horizontal Rotation Range	360° unlimited rotation
Tilt Rotation Range	90° pendulum rotation
Auto Flip	Rotates 180° when camera tilts to the vertical position
Auto Zoom Speed Control	Control speed auto-adjusted according to zoom length changing
Auto Pan, 2 Points Scanning	Can set freely
Auto Pan Speed	1-239 grade available
Dwell Time (2 points)	1-239 second available
Preset Positions	192 positions
Running to Position Speed	1-239 grade available, 0.1°/s~360°/s
Dwell Time at Preset Position	1-239 second available
Tour	16 groups
Tour Point per Group	16 preset positions
Position Accuracy	±0.1°
Alarm	4 inputs/1 output with tour/position auto triggering
Built-In Menu for Functions	Yes
Communication	RS-485
Communication Speed	1200/2400/4800/9600bps
Built-in Protocols	EVF-1, Pelco-D, Pelco-P, A-type, Plus-D
Address Editable	Yes (through DIP switch)
Speed Dome Address	0-255
Manual Pan/Tilt Speed	Pan: 0.1°~180°/s ; Tilt: 0.1°~180°/s
Power Source	24VAC
Power Consumption	18W
Operating Temperature	0°C~50°C ; 32°F~122°F
Weatherproof Ratings	Indoor
Dimensions (W x H)	208.5mm x 221.6mm/8.2" x 8.7"
Weight	2.15kg/4.8lbs
Certifications	CE, FCC

Dimensions



EPTZ-PBOX

Multi-Function Conjunction Box
(For all EPTZ models)



Features

- Multi-function conjunction power box for PTZs and cameras
- Vandal resistant and weatherproof IP66 rated
- Optional built-in video encoder for analog to IP network conversion and network capabilities with web browser
- Compatible with PTZ corner mount (optional EPTZCNM) and pole mount (optional EPTZPLEM) adaptor

EverFocus EPTZ-PBOX supports a wide variety of EPTZ indoor and outdoor mounting accessories. EPTZ-PBOX provides enhanced durability and eliminates complicated cabling in any location.

Compatible with PTZ pole mount = EPTZ series Speed Dome with EPTZ-PBOX + EPTZ -PBM + EPTZ-PLM

Compatible with PTZ Corner mount = EPTZ series Speed Dome with EPTZ-PBOX + EPTZ -PBM + EPTZ-CNM

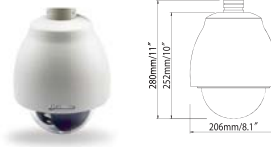
Compatible with PTZ wall mount = EPTZ series Speed Dome + EPTZ -PBOX

Specifications

Waterproof Conduit	10mm x 1pcs, 7mm x 3pcs
Power Source	2 types: 100V~120VAC/220V ~ 240VAC
Power Output	24VAC
Power Consumption	3.5 amps
Dimensions (W x D x H)	250 x 260 x 85 mm/9.8" x 10.2" x 3.3"
Weight	4.08 kg/9 lbs ; 4.54 kg/10 lbs (with 1 ch. encoder)
Certifications	CE, FCC, LVD

EPTZ3150/3650 Standard Outdoor Housing (with sun shield)

- Compatible with EPTZ-SSM (outdoor sun shield), EPTZ-WMB (wall mount bracket), EPTZ-CNM (corner mount adapter), EPTZ-PLM (pole mount adapter), EPTZ-PBOX (multi-function conjunction box) for diverse ceiling and wall mounts
- IP66 Rating
- Polycarbonate dome cover (clear/smoked/mirror)
- Aluminum die-cast housing



EPTZ3150/3650 Standard Outdoor Housing (without sun shield)

- Compatible with EPTZ-SSM (outdoor sun shield), EPTZ-WMB (wall mount bracket), EPTZ-CNM (corner mount adapter), EPTZ-PLM (pole mount adapter), EPTZ-PBOX (multi-function conjunction box) for diverse ceiling and wall mounts
- IP66 Rating
- Polycarbonate dome cover (clear/smoked/mirrored)
- Aluminum die-cast housing



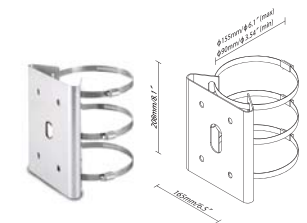
EPTZ3150i/3650i Standard Indoor Housing

- Compatible with EPTZ-CMB (concrete ceiling mount adapter), EPTZ-CLM (ceiling pendent mount bracket), EPTZ-ICMB (in-ceiling flush mount bracket) for diverse ceiling and wall mounts
- Polycarbonate dome cover
- Aluminum die-cast housing



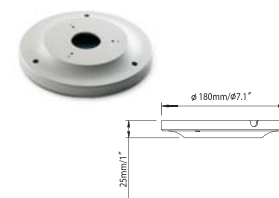
EPTZ-PLMN Pole Mount Adapter (For all EPTZ models)

- Compatible with EPTZ-WMB and EPTZ3150/3650
- Stainless steel



EPTZ-CMB Indoor Concrete Ceiling Mount Adapter (EPTZ3150i/3650i only)

- Ceiling mount adapter for indoor EPTZ
- Aluminum die-cast housing



EPTZ-WMB Wall Mount Bracket (For all EPTZ models)

- Compatible with EPTZ3150/3650
- Waterproof with aluminum die-cast housing



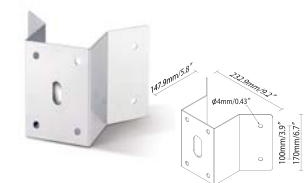
EPTZ-CLM Indoor Ceiling Pendent Pole Mount Bracket EPTZ-BKAGR Wall Mount Bracket Adapter (EPTZ3150i/3650i only)

- Shall be together with top housing adapter to mount standard indoor housing on ceiling
- Aluminum die-cast housing



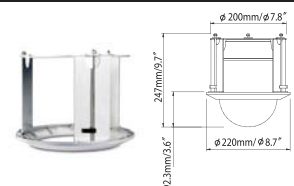
EPTZ-CNMN Corner Mount Adapter (For all EPTZ models)

- Compatible with EPTZ-WMB and EPTZ3150/3650
- Stainless steel



EPTZ-ICMB Indoor In-Ceiling Mount Bracket (EPTZ3150i/3650i only)

- Can be installed as flush & recessed ceiling mounting
- Aluminum die-cast housing
- Plastic decorative flange



* Models vary in different countries. Please visit EverFocus regional websites for detailed ordering information

* All product specifications are subject to change without notice



Colour Cameras

ED335

520TVL, 1/3" CCD, Indoor, 3-Axis, IR Dome Camera, Surface or Flush Mount Capabilities



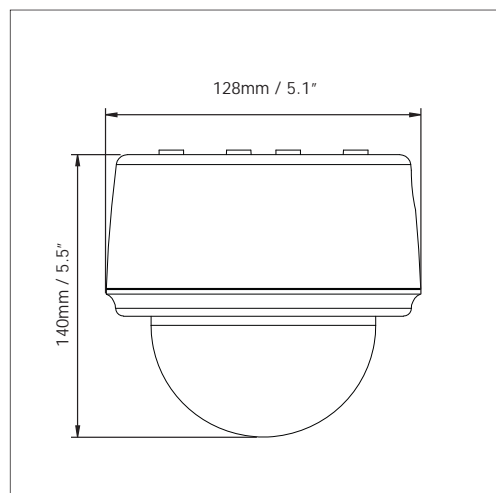
Features

- Designed with advanced digital signal processing circuitry for high image quality
- 520TVL of excellent high resolution technology
- Designed with IR LEDs for day and night environment
- IR distance up to 20m
- Provides Ceiling (surface) mount and In-ceiling (flush) mount
- 3-Axis rotation for any view angle
- Built-in vari-focal type, auto Iris lens
- 12VDC/24VAC Dual Voltage support
- High Light IR LED, lifespan up to 20,000 hours

Specifications

Pickup Device	1/3" SONY Super HAD CCD
Video Format	NTSC/PAL
Scanning System	NTSC: 525TVL, 60 fields/sec ; PAL: 625TVL, 50 fields/sec.
Picture Elements	768 x 494 (NTSC) ; 752 x 582 (PAL)
Horizontal Resolution	520TVL
Sensitivity	0 Lux (IR LED ON) 0.4 Lux/F=1.2 (AGC ON)
S/N Ratio	Over 48dB (AGC off)
Electronic Shutter	1/50 (1/60) ~ 1/100,000
Lens Type	Vari-focal lens, Auto Iris f=2.8~10mm/f=9~22mm
Iris Level	Adjustable
Auto Gain Control	On
Back Light Comp.	Yes
White Balance	Yes
Gamma Correction	0.45
Video Output	2 Video Outputs: 1. BNC 1.0 Vp-p ,75ohm 2. Additional testing video output 1.0Vp-p, 75ohm
Sync. Mode	Internal sync
IR Distance	20m
IR Wavelength	850nm
IR LED Lifespan	20,000 hours
Power Source	12VDC/24VAC
Power Consumption	12VDC: 6W max. ; 24VAC: 6.5W max.
Operating Temperature	0°C~40°C/32°F~104°F (20%~80% Humidity)
Dimensions (Φ x H)	Surface Type: 140mm x 128mm/5.5" x 5.1" ; Ceiling Type: 140mm x 69mm/5.5" x 2.77"
Weight	0.66 kg/1.45lbs
Certifications	CE, FCC

Dimensions



* Models vary in different countries. Please visit EverFocus regional websites for detailed ordering information
* Lens models and availability vary in different regions

* All product specifications are subject to change without notice

EBD330I

520TVL, 1/3" CCD High Res., 3-Axis, Indoor, Vari-Frequency, IR Dome Camera



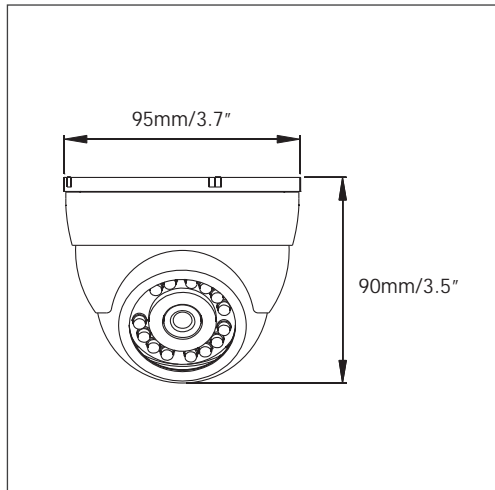
Features

- Low light sensitivity 0.4 Lux/F=1.2 (AGC ON) is achieved by using the advanced 1/3" Super HAD CCD.
- High Resolution 520TVL
- 3-Axis facilitates easy angle adjustment
- Intelligent Vari-frequency of IR control to save electricity and make brightness balance
- Easy installation
- Individual lens glass to avoid remaining image from light reflection
- View angle 50~78 degree-range, IR distance 10~15 meters
- Lifespan of IR LED is 20,000 hours

Specifications

Pickup Device	1/3" SONY Super HAD CCD
Video Format	NTSC/PAL
Scanning System	NTSC: 525TVL, 60 fields/sec ; PAL: 625TVL, 50 fields/sec.
Picture Elements	768 x 494 (NTSC) ; 752 x 582 (PAL)
Horizontal Resolution	520TVL
Sensitivity	0 Lux (IR LED on) 0.4 Lux/F=1.2 (AGC ON)
S/N Ratio	Over 48dB (AGC OFF)
Electronic Shutter	1/50(1/60)~1/100,000
Video Output	BNC 1.0Vp-p , 75ohm
Gamma Correction	0.45
Lens Type	4.3mm, 6.0mm, 8mm
Back Light Comp.	Yes
Auto Gain Control	Yes
White Balance	Yes
Sync. Mode	Internal sync
IR Control	Vari-frequency
IR LED	14pcs
IR LED Lifespan	20,000 hours
IR Distance	4.3mm Lens Type: 10m 6mm Lens Type: 12m 8mm Lens Type: 15m
IR Wavelength	850nm
Power Source	12VDC
Power Consumption	3W max.
Operating Temperature	0°C~40°C/32°F~104°F (20%~80% Humidity)
Dimensions (Φ x H)	95mm x 90 mm/3.74" x 3.54"
Weight	0.17 kg ; 0.37lbs
Certifications	CE, FCC

Dimensions



ED330E

520TVL, 1/3" CCD High Res., Indoor, IR Dome Camera



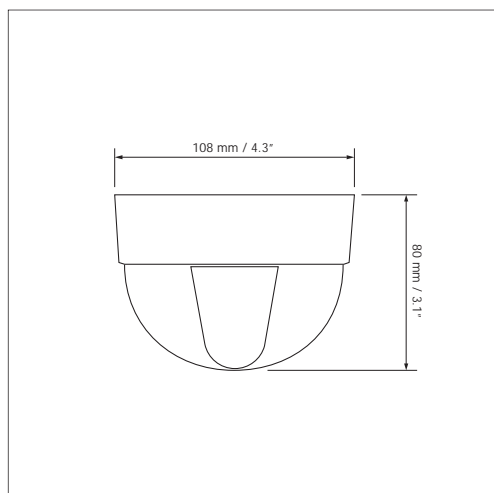
Features

- Low light sensitivity 0.4 Lux/F=1.2 is achieved by using the advanced 1/3" SONY Super HAD CCD
- 520TVL of horizontal resolution
- The sensitivity is 0 Lux when IR LED is ON
- Easy installation
- Auto Electronic Shutter function
- Automatic Gain Control function
- Auto White Balance function
- IR distance: 10m/33ft.
- IR LED lifespan is 20,000 hours

Specifications

Pickup Device	1/3" SONY Super HAD CCD
Video Format	NTSC/PAL
Scanning System	NTSC: 525TVL, 60 fields/sec ; PAL: 625TVL, 50 fields/sec.
Picture Elements	768 x 494 (NTSC) ; 752 x 582 (PAL)
Horizontal Resolution	520TVL
Sensitivity	0.4 Lux/F=1.2 (AGC ON) ; 0 Lux (IR LED on)
S/N Ratio	Over 48dB (AGC off)
Electronic Shutter	1/50 (1/60)~1/100000s
Video Output	BNC 1.0Vp-p, 75 ohm
Gamma Correction	0.45
Lens Type	4.3mm
Back Light Comp.	Yes
Auto Gain Control	Yes
White Balance	Yes
Sync. Mode	Internal Sync.
IR LED	14pcs
IR LED Lifespan	20,000 hours
IR Distance	10m/33feet
IR Wavelength	850nm
Power Source	12VDC
Power Consumption	4W max.
Operating Temperature	0°C~50°C/32°F~122°F (20%~80% humidity)
Dimensions (Φ x H)	108mm x 80mm/4.3" x 3.2"
Weight	0.21 kg/0.46 lbs
Certifications	CE, FCC

Dimensions



* Models vary in different countries. Please visit EverFocus regional websites for detailed ordering information
 * Lens models and availability vary in different regions

* All product specifications are subject to change without notice

EBD255

420TVL, 1/3" CCD, Indoor, IR Mini Colour Dome Camera

NEW



420 TVL IR 10~15m Indoor AWB Yes AGC Yes ES 1/50, 1/60~1/110,000 COLOR NTSC, PAL

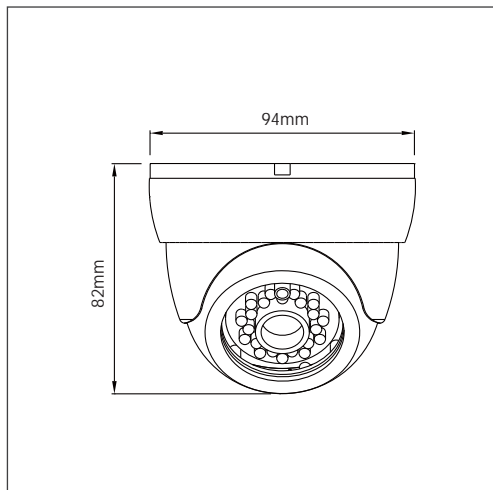
Features

- IR Dome colour camera with SHARP 1/3" Super HAD CCD sensor
- Employs Digital Signal Processor (DSP) chip-set for image control
- Pixel number: NTSC=270K/PAL=320K
- High sensitivity, low smear, high anti-blooming and high S/N ratio
- Build-in functions: Auto Electronic Shutter (AES), Auto Gain Control (AGC), Auto White Balance (AWB)
- Built-in anti-aliasing and IR-pass (850nm) optical filter
- Built-in IR-LED X 12

Specifications

Image Pick-up Device	SHARP 1/3" Colour CCD
Effective Picture Elements	NTSC: 510 x 492 ; PAL: 500 x 582
Horizontal Resolution	420TVL
Minimum Illumination	0 LUX with built-in IR-LED
S/N Ratio	More than 48 dB
Auto Electronic Shutter	NTSC: 1/60s~1/100,000s ; PAL: 1/50s~1/110,000s
Gain Control	Automatically
White Balance	Automatically (2500K~9500K)
Gamma Characteristic	0.45
Lens Furnished	Board Lens 3.6 mm/F2.0 (optional: 4.3 mm, 6mm)
Synchronous System	Internal, Negative sync.
Video Output	1 Vp-p Composite Video/75 Ohms.
Power Supply	12VDC/250 mA
Operating Temp.	-10°C~50°C (140°F~122°F)
IR LED	12 Units of 850nm IR LED
IR Distance	10~15m
Dimensions (Φ x L)	94mm x 82mm

Dimensions



EBD230I

420TVL, 1/3" CCD Standard Res., 3-Axis, Indoor, Vari-Frequency, IR Dome Camera



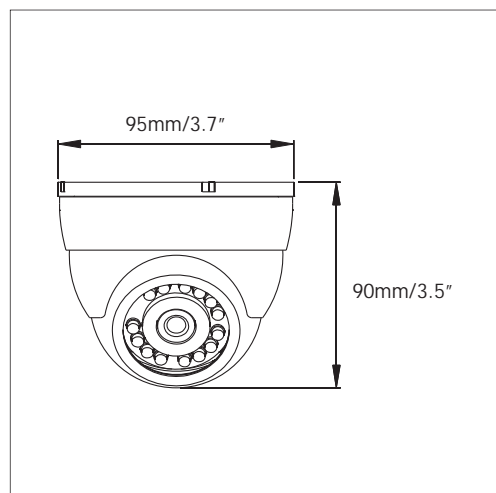
Features

- Low light sensitivity 0.3 Lux/F=1.2 (AGC ON) is achieved by using the advanced 1/3" Super HAD CCD
- High Resolution 420TVL
- 3-Axis facilitates easy angle adjustment
- Intelligent Vari-frequency of IR control to save electricity and make brightness balance
- Easy installation
- Individual lens glass to avoid remaining image from light reflection
- View angle 50~78 degree-range, IR distance 10~15 meters
- Lifespan of IR LED is 20,000 hours

Specifications

Pickup Device	1/3" SONY Super HAD CCD
Video Format	NTSC/PAL
Scanning System	NTSC: 525TVL, 60 fields/sec ; PAL: 625TVL, 50 fields/sec.
Picture Elements	510 x 492 (NTSC) ; 500 x 582 (PAL)
Horizontal Resolution	420TVL
Sensitivity	0 Lux (IR LED on) 0.3 Lux/F=1.2 (AGC ON)
S/N Ratio	Over 48dB (AGC OFF)
Electronic Shutter	1/50(1/60)~1/100,000
Video Output	BNC 1.0Vp-p, 75ohm
Gamma Correction	0.45
Lens Type	4.3mm, 6.0mm, 8mm
Back Light Comp.	Yes
Auto Gain Control	Yes
White Balance	Yes
Sync. Mode	Internal sync
IR Control	Vari-frequency
IR LED	14pcs
IR LED Lifespan	20,000 hours
IR Distance	4.3mm Lens Type: 10m 6mm Lens Type: 12m 8mm Lens Type: 15m
IR Wavelength	850nm
Power Source	12VDC
Power Consumption	3W max.
Operating Temperature	0°C~40°C/32°F~104°F (20%~80% Humidity)
Dimensions (Φ x H)	95mm x 90 mm/3.74" x 3.54"
Weight	0.17kg ; 0.37 lbs
Certifications	CE, FCC

Dimensions



* Models vary in different countries. Please visit EverFocus regional websites for detailed ordering information
* Lens models and availability vary in different regions

* All product specifications are subject to change without notice

ED230E

420TVL, 1/3" CCD Standard Res., IR Dome Camera



420 TVL	IR 10-12m	COLOR NTSC, PAL	ES 1/50(1/60)~1/100,000	AWB Yes	BLC Yes	AGC Yes
-------------------	---------------------	---------------------------	-----------------------------------	-------------------	-------------------	-------------------

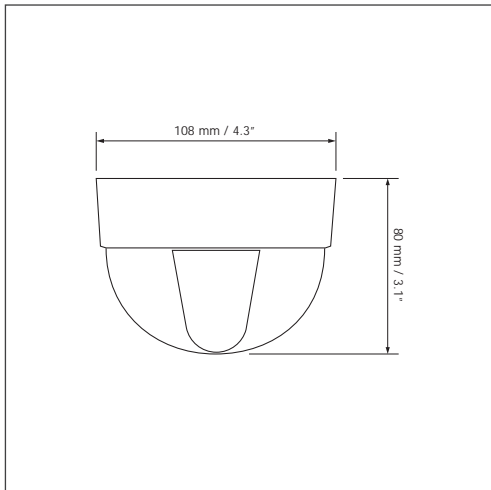
Features

- Low light sensitivity 0.3 Lux/F=1.2 is achieved by using the advanced 1/3" SONY Super HAD CCD
- 420TVL of horizontal resolution
- The sensitivity is 0 Lux when IR LED is ON
- Easy installation
- Auto Electronic Shutter function
- Automatic Gain Control function
- Auto White Balance function
- IR distance: 10m/33ft.
- IR LED lifespan is 20,000 hours

Specifications

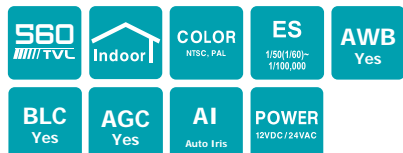
Pickup Device	1/3" SONY Super HAD CCD
Video Format	NTSC/PAL
Scanning System	NTSC: 525 TVL, 60 fields/sec ; PAL: 625 TVL, 50 fields/sec.
Picture Elements	510 x 492 (NTSC) ; 500 x 582 (PAL)
Horizontal Resolution	420TVL
Sensitivity	0.3 Lux/F=1.2 (AGC ON) ; 0 Lux (IR LED on)
S/N Ratio	Over 48dB (AGC off)
Electronic Shutter	1/50 (1/60)~1/100000s
Video Output	BNC 1.0Vp-p, 75 ohm
Gamma Correction	0.45
Lens Type	4.3mm
Back Light Comp.	Yes
Auto Gain Control	Yes
White Balance	Yes
Sync. Mode	Internal Sync.
IR LED	14pcs
IR LED Lifespan	20,000 hours
IR Distance	10m/33 feet
IR Wavelength	850nm
Power Source	12VDC
Power Consumption	4W max.
Operating Temperature	0°C~50°C/32°F~122°F (20%~80% humidity)
Dimensions (Φ x H)	108mm x 80mm /4.3" x 3.2"
Weight	0.21kg/0.46 lbs
Certifications	CE, FCC

Dimensions



ED350

560TVL, Indoor Mini Colour Dome Camera



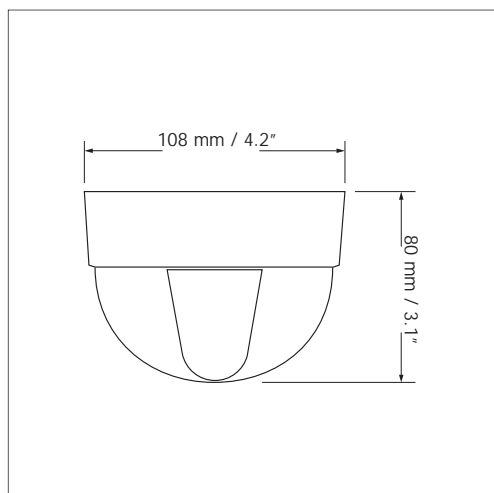
Features

- Low light sensitivity 0.5 Lux/F=1.2(AGC ON) is achieved by using the advanced 1/3" SONY Super HAD CCD
- 560TVL of horizontal resolution
- Revolutionary integrated 10-bit Digital Signal Processor(DSP) delivers sharp colour images and excellent picture quality
- Wide-range automatic electronic shutter: up to 1/100,000
- Manual zoom lens with adjustable viewing range
- Pure Vision Technology

Specifications

Pickup Device	1/3" SONY Super HAD CCD
Video Format	NTSC/PAL
Scanning System	NTSC: 525 TVL, 60 fields/sec ; PAL: 625 TVL, 50 fields/sec
Picture Elements	768 x 494 (NTSC) ; 752 x 582 (PAL)
Horizontal Resolution	560TVL
Sensitivity	0.5Lux/F=1.2
S/N Ratio	Over 48dB (AGC off)
Electronic Shutter	1/50(1/60)~1/100,000
Lens Type	Vari-focal lens, Auto Iris f=2.9~10mm, F=1.2 f=3.8~9.5mm, F=1.2 f=9~22mm, F=1.6 <i>*Lens models and availability vary in different regions</i>
Back Light Comp.	On/Off switch
Auto Gain Control	On/Off switch
Flickerless	On/Off switch
Auto White Balance	Yes
Gamma Correction	0.45
Video Output	2 Video outputs BNC 1.0Vp-p, 75ohm Additional testing video output 1.0Vp-p, 75ohm
Sync. Mode	Internal sync
Power Source	12VDC/24VAC
Power Consumption	24VAC: 5VA max./12VDC: 3.5W max.
Dimensions (Φ x H)	108mm x 80mm/4.3" x 3.2"
Weight	0.3 kg/0.7lbs
Operating Temperature	0°C~40°C/32°F~104°F (20%~80% Humidity)
Certifications	CE, FCC

Dimensions



* Models vary in different countries. Please visit EverFocus regional websites for detailed ordering information
* Lens models and availability vary in different regions

* All product specifications are subject to change without notice

ED300E

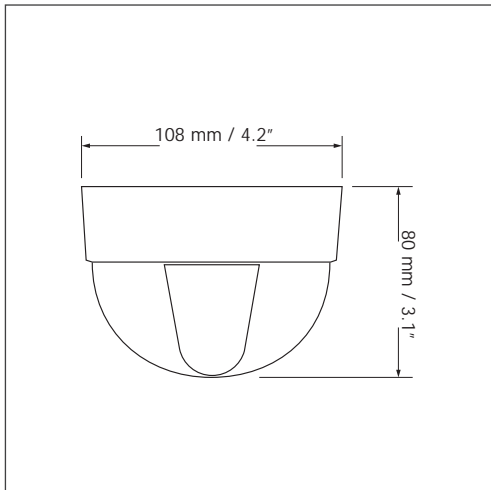
520TVL, Indoor Mini Colour Dome Camera



Features

- Low light sensitivity 0.4 Lux/F=1.2 (AGC ON) is achieved by using the advanced 1/3" SONY Super HAD CCD
- 520TVL of horizontal resolution
- Designed with advanced digital signal processing circuitry for high image quality
- Built-in vari-focal lens or fixed lens
- Able to adjust the viewing range with manual zoom lens (for vari-focal lens only)
- With manual Pan/Tilt mechanism
- Day/Night function (for vari-focal lens only)
- Compact size: 108mm (O.D.) x 80mm (H)/ 4.3" (O.D.) x 3.2" (H)
- System available for NTSC or PAL
- BLC, AGC and FL On/Off switchable (for vari-focal lens only)

Dimensions



Specifications

Pickup Device	1/3" SONY Super HAD CCD	
Video Format	NTSC/PAL	
Scanning System	NTSC: 525TVL, 60 fields/sec ; PAL: 625TVL, 50 fields/sec.	
Picture Elements	768 x 494 (NTSC) ; 752 x 582 (PAL)	
Horizontal Resolution	520TVL	
Sensitivity	0.4 Lux/F=1.2	
S/N Ratio	Over 48dB (AGC off)	
Electronic Shutter	1/50 (1/60)~1/100,000	
Video Output	BNC1.0Vp-p, 75ohm	
Gamma Corvection	0.45	
Lens Type	Fixed Lens, f=3.6mm/f=4.3mm/ f=6mm/f=8mm *Lens models and availability vary in different regions	Vari-focal lens, Auto Iris/f=2.6~6mm/ f=3.7~12mm/f=9~22mm *Lens models and availability vary in different regions
Back Light Comp.	Yes	
Auto Gain Control	Auto	On/Off switch
Auto White Balance	Yes	
Sync. Mode	Internal Sync	
Day/Night	Auto	On/Off switch
Flickerless	No	On/Off switch
H-Mirror	No	On/Off switch
Iris Level	Auto	Adjustable
Power Source	2 types: 12VDC only & 12VDC/24VAC	
Power Consumption	12VDC: 2.5W max. 24VAC: 4.5VA max.	
Operating Temperature	0°C~50°C/32°F~122°F (20%~80% Humidity)	
Dimensions (Φ x H)	108mm x 80mm/4.3" x 3.2"	
Weight	0.3 kg/0.7lbs	
Certifications	CE, FCC	

EFD300E

520TVL, Indoor Mini Colour Flush Dome Camera



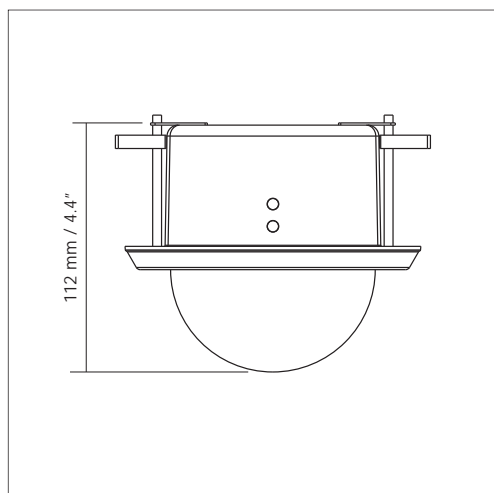
Features

- Low light sensitivity 0.4 Lux/F=1.2(AGC ON) is achieved by using the advanced 1/3" SONY Super HAD CCD
- 520TVL of horizontal resolution
- The electronic shutter and AGC allow the camera to be used in environment with varying light levels
- Built-in Vari-Focal lens
- FL, BNC, AGC and D/N On/Off switchable
- Compact size: 135mm (O.D.) x 112mm (H)
- System available for NTSC or PAL

Specifications

Pickup Device	1/3" SONY Super HAD CCD
Video Format	NTSC/PAL
Scanning System	NTSC: 525TVL, 60 fields/sec ; PAL: 625TVL, 50 fields/sec.
Picture Elements	768 x 494 (NTSC) ; 752 x 582 (PAL)
Horizontal Resolution	520TVL
Sensitivity	0.4Lux/F=1.2
S/N Ratio	Over 48dB (AGC off)
Electronic Shutter	1/50 (1/60)~1/100,000
Video Output	2 Video Output BNC 1.0Vp-p, 75ohm Additional testing video output 1.0Vp-p, 75ohm
Gamma Correction	0.45
Lens Type	Vari-focal lens, Auto Iris f=3.7~12mm, F=1.2mm
Back Light Comp.	Auto
Auto Gain Control	On/Off switch
White Balance	Yes
Sync. Mode	Internal sync
Day & Night Mode	On/Off switch
Flickerless	On/Off switch
H-Mirror	On/Off switch
Vandal Resistant	Yes
Power Source	12VDC/24VAC
Power Consumption	12VDC: 2W max/24VAC: 1.5W max
Operating Temperature(Φ x H)	0°C~50°C/32°F~122°F (20%~80% Humidity)
Dimensions	135mm x 112mm/5.4" x 4.41"
Weight	0.7 kg/1.6lbs
Certifications	CE, FCC

Dimensions



* Models vary in different countries. Please visit EverFocus regional websites for detailed ordering information
* Lens models and availability vary in different regions

* All product specifications are subject to change without notice

ED200E

420TVL, Indoor Mini Colour Dome Camera



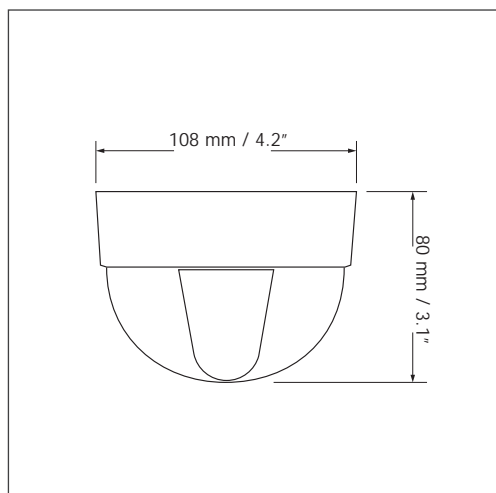
Features

- Low light sensitivity 0.3 Lux/F=1.2 (AGC ON) is achieved by using the advanced 1/3" SONY Super HAD CCD
- 420TVL of horizontal resolution
- Designed with advanced digital signal processing circuitry for high image quality
- Built-in fixed lens type, mechanical auto iris lens
- Able to adjust the viewing range with manual zoom lens (for vari-focal lens only)
- Back Light Comp., Auto Gain Control and Auto White Balance functions
- Compact size: 108mm (O.D.) x 80mm (H)/ 4.3" (O.D.) x 3.2" (H)
- System available for NTSC or PAL

Specifications

Pickup Device	1/3" SONY Super HAD CCD
Video Format	NTSC/PAL
Scanning System	NTSC: 525TVL, 60 fields/sec ; PAL: 625TVL, 50 fields/sec.
Picture Elements	510 x 492 (NTSC) ; 500 x 582 (PAL)
Horizontal Resolution	420TVL
Sensitivity	0.3 Lux/F=1.2
S/N Ratio	Over 48dB (AGC off)
Electronic Shutter	1/50 (1/60)~1/100,000
Video Output	BNC 1.0Vp-p, 75ohm
Gamma Correction	0.45
Lens Type	f=2.5mm/f=3.6mm/f=4.3mm/ f=6mm/f=8mm/f=12mm/f=16mm *Lens models and availability vary in different regions
Back Light Comp.	Yes
Auto Gain Control	Yes
Auto White Balance	Yes
Sync. Mode	Internal Sync
Power Source	12VDC
Power Consumption	12VDC: 1.5W max
Operating Temperature	0°C~50°C/32°F~122°F (20%~80% Humidity)
Dimensions (Φ x H)	108mm x 80mm/4.3" x 3.2"
Weight	0.3 kg/0.7lbs
Certifications	CE, FCC

Dimensions



ECD250/255/260

420TVL, 1/3" CCD, Colour DSP
Dome Camera

NEW



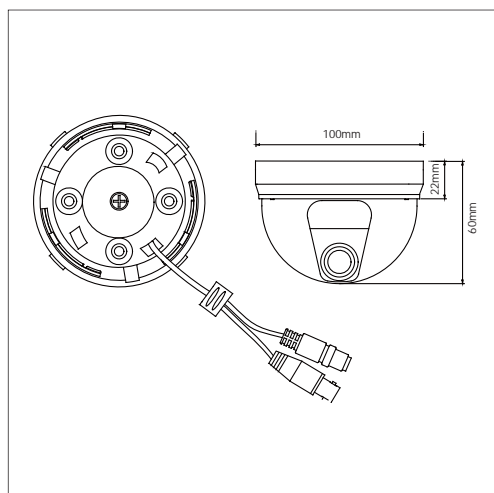
Features

- Colour dome camera with SONY 1/3" CCD sensor (ECD260), with SHARP 1/3" CCD sensor (ECD255), 1/3" CCD sensor (ECD250).
- Employs Digital Signal Processor (DSP) chip-set for image control.
- Pixel number: NTSC=270K/PAL=320K.
- High sensitivity, low smear, high anti-blooming, and high S/N ratio.
- Build-in functions: Auto Electronic Shutter (AES), Auto Gain Control (AGC), Auto White Balance (AWB).
- Furnished with DC power cable and video cable.
- Built-in anti-aliasing optical filter.

Specifications

Product Model	ECD260	ECD255	ECD250
Image Pick-up Device	SONY 1/3" Colour CCD	SHARP 1/3" Colour CCD	1/3" CCD Normal Resolution
Effective Picture Elements	NTSC: 510 x 492 ; PAL: 500 x 582		
Horizontal Resolution	420TVL		
Minimum Illumination	0.1 LUX @ F2.0		
S/N Ratio	Over 48dB		
Auto Electronic Shutter	NTSC: 1/60s~1/100,000s ; PAL: 1/50s~1/110,000s		
Gamma Characteristic	0.45		
Lens Furnished	Board lens 3.6mm/F2.0 (optional: 4.3/6.0/8.0/12/16mm)		
Gain Control	Automatically		
White Balance	Automatically (2500K~9500K)		
Sync. Mode	Internal Sync.		
Video Output	1 Vp-p Composite Video/75 Ohms.		
Power Source	12VDC/100mA		
Operating Temperature	-10°C~50°C/14°F~122°F		
Dimensions (Φ x H)	100mm x 60mm		

Dimensions



* Models vary in different countries. Please visit EverFocus regional websites for detailed ordering information
* Lens models and availability vary in different regions

* All product specifications are subject to change without notice

ECD230

420TVL, Micro Mini Indoor Colour Dome Camera



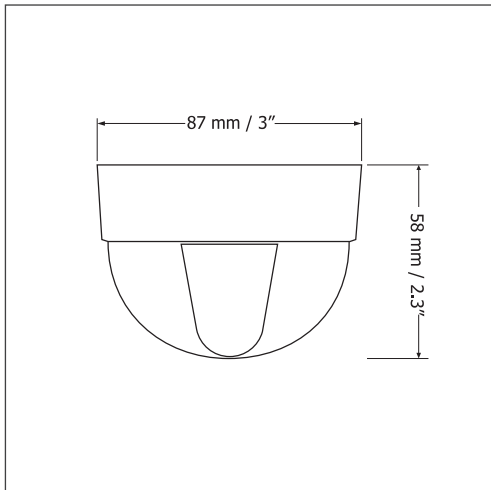
Features

- Low light sensitivity 0.3 Lux/F=1.2 (AGC ON) is achieved by using the advanced 1/3" SONY Super HAD CCD
- 420TVL of horizontal resolution
- The electronic shutter and AGC functions allow the camera to be used in environment with varying light levels
- Built-in anti-aliasing and IR-cut optical filter
- Compact size: 87mm (O.D) x 58mm (H)/3.48" (O.D) x 2.31" (H)
- System available for NTSC or PAL

Specifications

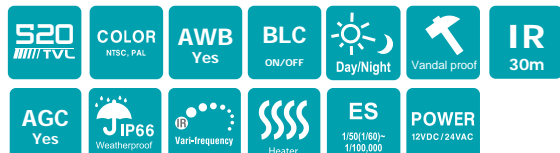
Pickup Device	1/3" SONY Super HAD CCD
Video Format	NTSC/PAL
Scanning System	NTSC: 525TVL, 60 fields/sec ; PAL: 625TVL, 50 fields/sec.
Picture Elements	510 x 492 (NTSC) ; 500 x 582 (PAL)
Horizontal Resolution	420TVL
Sensitivity	0.3Lux/F=1.2
S/N Ratio	Over 48dB (AGC off)
Electronic Shutter	1/50 (1/60)~1/100,000
Gamma Correction	0.45
Video Output	BNC 1.0Vp-p, 75ohm
Lens Type	f=3.6mm/f=4.3mm/f=6.0mm/f=8.0mm *Lens models and availability vary in different regions
Back Light Comp.	Yes
Auto Gain Control	Yes
White Balance	Yes
Sync. Mode	Internal sync
Power Source	12VDC
Power Consumption	12VDC: 1.5W max
Dimensions (O.D. x H)	8mm x 58mm/3.48" x 2.31"
Weight	0.1 kg/0.22lbs
Operating Temperature	0°C~50°C/32°F~122°F (20%~80% Humidity)
Certifications	CE, FCC

Dimensions



EBD430

520TVL, 1/3" CCD, 3-Axis, Outdoor IR Dome Camera with Vari-focal Lens & True Day/Night



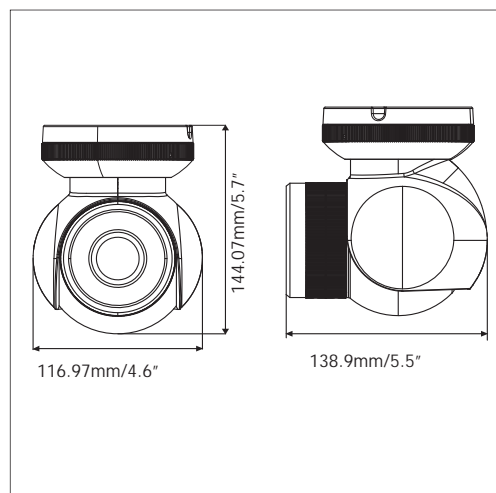
Features

- Low light sensitivity 0.08 Lux/F=1.2 (AGC ON) is achieved by using the advanced 1/3" SONY Super HAD CCD II
- 520TVL of excellent high resolution technology
- Up to 30m/98ft. or IR range
- Vari-focal lens to offer you a wide variety of angle viewing
- True Day/Night function with removable IR cut filter
- External control of lens zoom & focus
- 3-Axis rotation for flexible view angle
- Intelligent vari-frequency of IR control to save electricity and make brightness balance
- Split glass design to avoid LED light reflection
- Up to 20,000 hours of high IR LED lifespan
- Vandal resistant design to avoid intentional destruction
- Weatherproof and IP66 rate

Specifications

PPickup Device	1/3" SONY Super HAD CCD II
Video Format	NTSC/PAL
Scanning System	NTSC: 525TVL, 60 fields/sec ; PAL: 625TVL, 50 fields/sec.
Picture Elements	768 x 494 (NTSC) ; 752 x 582 (PAL)
Horizontal Resolution	520TVL
Sensitivity	0.08 Lux / F=1.2 (IR OFF) ; 0 Lux (IR ON)
S/N Ratio	Over 48 dB (AGC Off)
Electronic Shutter	1/50 (1/60)~1/100,000
Video Output	BNC 1.0Vp-p, 75ohm
Gamma Correction	0.45
Lens Type	Vair-focal lens, f=2.9~10mm , f=9~22mm
Back Light Comp.	Yes
Auto Gain Control	Yes
Auto White Balance	Yes
Sync. Mode	Internal sync.
True Day & Night	Yes
IR LED Lifespan	35 pcs
IR LED Lifespan	20,000 hours
IR Distance	30m/98ft.
IR Wavelength	850nm
Weatherproof	IP66
Vandal Resistant	Yes
Heater	Yes, built-in
Power Source	12VDC/24VAC
Power Consumption	12VDC:9W max. (Heater On & IR LED On) 24VAC:9.5W max. (Heater On & IR LED On)
Operating Temperature	-40°C~50°C ; -40°F~122°F (20%~80% humidity)
Dimensions	116.97mm x 138.9mm x 144.07mm ; 4.6" x 5.5" x 5.7"
Weight (W x D x H)	1.3kg ; 2.54lbs
Certifications	CE, FCC

Dimensions



* Models vary in different countries. Please visit EverFocus regional websites for detailed ordering information
* Lens models and availability vary in different regions

* All product specifications are subject to change without notice

ED610

560TVL, 1/3" CCD, WDR & True Day/Night
Outdoor Vandal Dome Camera



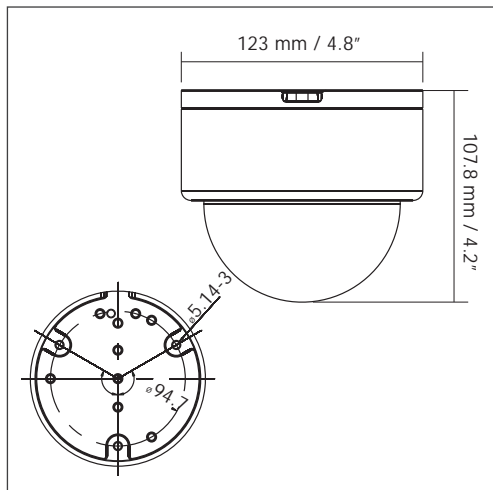
POLESTAR II



Features

- 560TVL of horizontal resolution
- Advanced Digital Signal Processor (DSP) delivers excellent picture quality and performance
- True Day/Night function with ICR module
- Support 3D-Noise Reduce for noise reduction while increasing disk storage capacity
- Low light sensitivity 0.05 Lux/F=1.2 (AGC ON) is achieved by using the advanced 1/3" SONY Super HAD CCD II
- The starlight Super-high sensitivity of 0.0002Lux/F=1.2 is achieved by setting SENS-UP Shutter 256x
- OSD setting menu
- Support motion detection function for 4 zones
- Support privacy mask function for 8 zones
- Support Digital Wide Dynamic Range expansion
- Support Digital-Zoom
- Support line lock external synchronization
- Vandal resistant
- Weatherproof IP66 rated
- 3-Axis rotation

Dimensions



Specifications

Pickup Device	1/3" SONY Super HAD CCD II
Video Format	NTSC/PAL
Scanning System	NTSC: 525TVL, 60 fields/sec ; PAL: 625TVL, 50 fields/sec.
Picture Elements	768 x 494 (NTSC) ; 752 x 582 (PAL)
Horizontal Resolution	560TVL
Sensitivity	0.05Lux/F=1.2 (AGC ON) ; 0.0002Lux/F=1.2 (Sens-up 256x)
S/N Ratio	Over 52dB (Auto off)
Electronic Shutter	1/50 (1/60)~1/100,000
Video Output	2 Video Outputs: 1. BNC 1.0 Vp-p, 75ohm 2. Additional testing video output 1.0 Vp-p, 75ohm
Gamma Correction	0.45
Lens Type	Vari-focal lens, Auto Iris, 2.8-10mm, 9-22mm
Back Light Comp.	BLC, OFF, HS BLC Selectable
Auto Gain Control	Low/Middle/High Selectable
White Balance	ATW/AWB/AWC/Manual/Indoor/Outdoor Selectable
Sync. Mode	Internal/Line lock external sync.
Day & Night	Yes, (Auto, Colour, B/W, EXT)
OSD menu	Yes
3DNR	On/Off switch
D-WDR	Outdoor, Indoor
Digital Slow Shutter	Sens-Up~256x
Mirror	Off/Mirror/V-Flip/Rotate Selectable
Digital Zoom	On/Off switch
Motion Detection	On/Off for 4 Zones
Privacy Mask	On/Off for 8 Zones
Weatherproof	IP66
Vandal Resistant	Yes
Power Source	12VDC/24VAC
Power Consumption	12VDC: 3W max./24VAC: 3W max.
Operating Temperature	-10°C~50°C/14°F~122°F (20%~80% humidity)
Dimensions (Φ x H)	123mm x 107.8mm/4.8" x 4.2"
Weight	0.74kg/1.6lbs
Certifications	CE, FCC

EHD525EX

560TVL, 1/3" Sony ExView CCD, True Day/Night
Vandal Colour Dome Camera



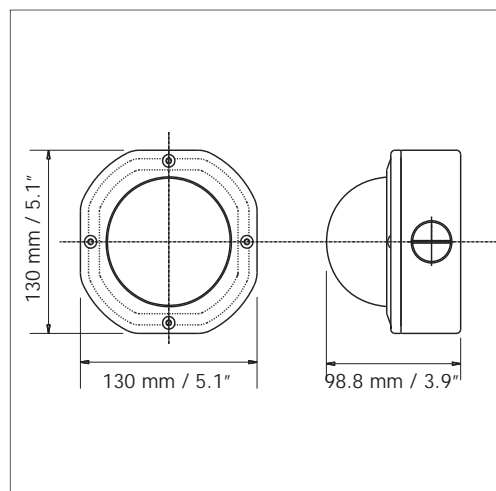
Features

- Low light sensitivity 0.1 Lux/F=1.2 (AGC ON) is achieved by using the advanced 1/3" Sony Exview CCD
- 560TVL of horizontal resolution
- Revolutionary integrated 10-bit Digital Signal Processor (DSP) delivers excellent picture quality and sharp colour images
- Designed with polycarbonate shell to withstand the impact of a 10lbs sledgehammer
- Aluminum base with smoke colour shell
- Day/Night with IR cut removable module
- Dual voltage: 24VAC or 12VDC

Specifications

Pickup Device	1/3" SONY EXView CCD
Video Format	NTSC/PAL
Scanning System	NTSC: 525TVL, 60 fields/sec ; PAL: 625 TVL, 50 fields/sec
Picture Elements	NTSC: 768 x 494 ; PAL: 752 x 582
Horizontal Resolution	560TVL
Sensitivity	0.1 Lux/F=1.2
S/N Ratio	Over 50dB (AGC off)
Electronic Shutter	1/50 (1/60)~1/100,000
Lens Type	Vari-focal lens, Auto Iris f=2.9~10mm, F=1.2/f=3.6~9mm/f=9~22mm, F=1.6 *Lens models and availability vary in different regions
Back Light Comp.	On/Off switch
Auto Gain Control	On/Off switch
Flickerless	On/Off switch
Auto White Balance	Yes
Gamma Correction	0.45
Video Output	BNC 1.0Vp-p, 75 ohm
Sync. Mode	Line Lock/Internal Sync.
Weatherproof	IP66
Vandal Resistant	Yes
Heater	Yes, built-in
Power Source	12VDC/24VAC
Power Consumption	12VDC: 11.5W max. (Heater ON) 12VDC: 4W max. (Heater OFF) 24VDC: 6VA max. (Heater OFF) 24VDC: 20.5VA max. (Heater ON)
Dimensions (W x H x D)	130mm x 98.8mm x 130mm/5.1" x 3.9" x 5.1"
Weight	1.7kg/3.7lbs
Operating Temperature	-40°C~50°C/-40°F~122°F (20%~80% humidity)
Certifications	CE, FCC

Dimensions



* Models vary in different countries. Please visit EverFocus regional websites for detailed ordering information
* Lens models and availability vary in different regions

* All product specifications are subject to change without notice

EHD350HQ

560TVL, High Resolution, Colour Vandal Dome Camera



Outdoor Dome Cameras

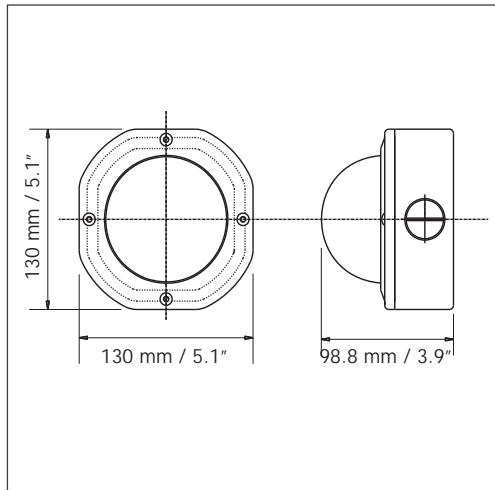
Features

- Low light sensitivity 0.5 Lux/F=1.2 (AGC ON) is achieved by using the advanced 1/3" SONY Super HAD CCD
- 560TVL of horizontal resolution
- Revolutionary integrated 10-bit Digital Signal Processor (DSP) delivers excellent picture quality and sharp colour images
- Designed with polycarbonate shell to withstand the impact of a 10 lbs sledgehammer
- Rugged dome is designed with 3-Axis for angle-view flexibility
- Heater triggers when temperature falls below 10°C/50°F
- Built-in micro switch for alarm trigger
- Aluminum base with smoke colour shell
- Weatherproof IP66 rated

Specifications

Pickup Device	1/3" SONY Super HAD CCD
Video Format	NTSC/PAL
Scanning System	NTSC: 525TVL, 60 fields/sec ; PAL: 625TVL, 50 fields/sec.
Picture Elements	NTSC: 768 x 494 ; PAL: 752 x 582
Horizontal Resolution	560TVL
Sensitivity	0.5 Lux/F=1.2
S/N Ratio	Over 48dB (AGC off)
Electronic Shutter	1/50 (1/60)~1/100,000
Lens Type	Vari-focal lens, Auto Iris f = 2.9~10mm , F=1.2/f = 3,8~ 9.5mm/f = 9~22mm , F=1.6 *Lens models and availability vary in different regions
Back Light Comp.	On/Off switch
Auto Gain Control	On/Off switch
Flickerless	On/Off switch
White Balance	Yes
Gamma Correction	0.45
Video Output	BNC 1.0Vp-p, 75ohm
Sync. Mode	Line Lock/Internal Sync
Heater	Yes, built-in
Weatherproof	IP66
Vandal Resistant	Yes
Power Source	12VDC/24VAC
Power Consumption	24VAC: 6VA max. (Heater OFF) 24VAC: 20.5VA max. (Heater ON) 12VDC: 3.5W max. (Heater OFF) 12VDC: 11W max. (Heater ON)
Dimensions (W x H x D)	130mm x 98.8mm x 130mm ; 5.1" x 3.9" x 5.1"
Weight	1.7kg ; 3.7lbs
Operating Temperature	-40°C~50°C ; -40°F~122°F (20%-80% humidity)
Certifications	CE, FCC

Dimensions



EHD300

480TVL, Outdoor Colour Vandal Dome Camera



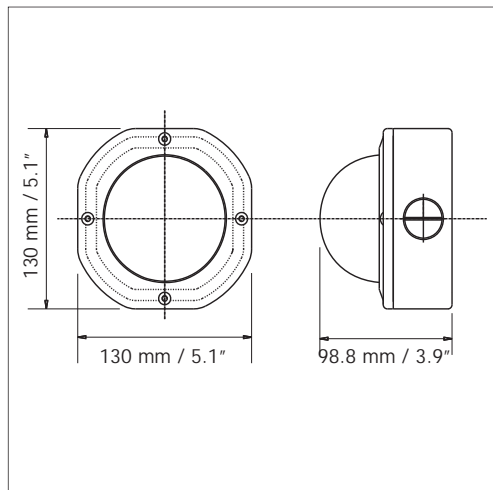
Features

- Low light sensitivity 0.4 Lux/F=1.6 (AGC ON) is achieved by using the advanced 1/3" SONY Super HAD CCD
- 480TVL of horizontal resolution
- The electronic shutter and AGC allow the camera to be used in environment with varying light levels
- 24VAC/12VDC Dual power ready
- Built-in Vari-Focal lens
- BLC, AGC and Flickerless function on/off switchable
- With manual Pan/Tilt mechanism
- Rugged Dome for vandal proof
- Rugged Dome designed with 3-axis which provides the best installation for ceiling and wall mounted
- IP66 weatherproof rating

Specifications

Pickup Device	1/3" SONY SUPER HAD CCD
Video Format	NTSC/PAL
Scanning System	NTSC: 525TVL, 60 fields/sec ; PAL: 625TVL, 50 fields/sec.
Picture Elements	NTSC: 768 x 494 ; PAL: 752 x 582
Horizontal Resolution	480TVL
Sensitivity	0.4 Lux/F=1.2
S/N Ratio	Over 48dB (AGC off)
Electronic Shutter	1/50(1/60)~1/100,000
Video Output	BNC 1.0 Vp-p, 75ohm
Gamma Correction	0.45
Lens Type	Vari-focal lens, Auto Iris f = 2.9~ 10mm, F=1.2/f=3.7~12mm/f=9~22mm, F=16 *Lens models and availability vary in different regions
Back Light Comp.	ON/OFF Switch
Auto Gain Control	ON/OFF Switch
Auto White Balance	Yes
Sync. Mode	Internal sync
Flickerless	ON/OFF Switch
Weatherproof Ratings	IP66
Vandal Resistant	Yes
Power Source	12VDC/24VAC
Power Consumption	12VDC: 2W max. /24VAC: 4VAW max.
Operating Temperature	-10°C~50°C/14°F~122°F (20%~80% humidity)
Dimensions (W x H x D)	130mm x 98.9mm x 130mm/5.1" x 3.87" x 5.1"
Weight	0.8kg/1.8lbs
Certifications	CE, FCC

Dimensions



* Models vary in different countries. Please visit EverFocus regional websites for detailed ordering information
* Lens models and availability vary in different regions

* All product specifications are subject to change without notice

EZ650

560TVL, IR Day/Night plus Wide Dynamic Range, IP66 Bullet Camera



NEW

560 TVL	WDR	RS485	OSD	AWB Yes	Super Low Lux	AGC Yes
Heater	3DNR	ES 1/50 (1/60) ~ 1/100,000	True D/N	POWER 24VAC 100~240VAC	Outdoor	IP66 Weatherproof
HSBLC	BLC Yes	Vandal Resistant	Cable Management Solution	Motorized VF/AI Lens	IR 80m	CE, FCC



Bullet IR Cameras

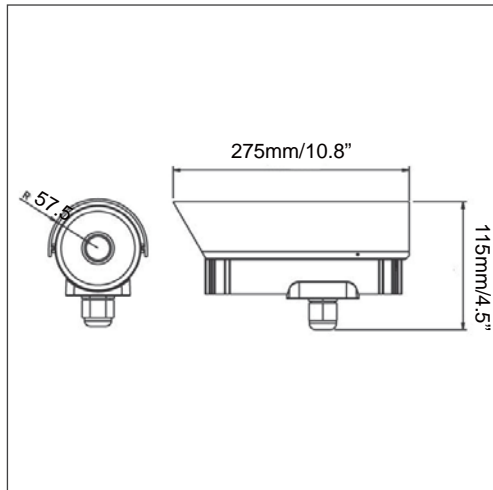
Features

- Super HAD II sensor at 0.05 Lux has 5X better native light sensitivity before DSP low light boost
- Starlight super high sensitivity of 0.0002 Lux/F=1.2 is achieved through a sensitivity increase setting of up to 256x
- Extended IR range of up to 80m with 42 LEDs and variable output IR control to manage illumination and conserve energy
- Split glass to prevent internal IR reflections
- Full motion true day/night images even with no ambient light without ghosting
- True Day/Night with ICR module
- Motorized varifocal auto iris lens – 6-50mm focal range
- Digital Wide Dynamic Range expansion to deliver properly exposed images despite bright light sources, deep shadows and/or unbalanced lighting in the same scene
- Provides 3D-Noise Reduction to improve picture clarity while enabling DVRs to improve disk storage utilization
- Easy to use OSD setup menu with local controls or RS-485 remote control
- Motion detection for 4 configurable zones
- Privacy mask function for 8 configurable zones
- Provides digital zoom up to 32x
- Easy bottom access to video test point and lens/OSD menu controls inside weatherproof cover
- IP66 weather resistant
- Vandal resistant

Specifications

Pickup Device	1/3" SONY Super HAD II CCD
Video Format	NTSC/PAL
Picture Elements	768 x 494 (NTSC)/752 x 582 (PAL)
Horizontal Resolution	560TVL
Sensitivity	0.05Lux/F=1.2(AGC ON) ; 0.0002Lux/F=1.2 (Sens-up 256x) ; 0 Lux IR on.
S/N Ratio	Over 52dB (AGC off)
Electronic Shutter	1/60 (1/50)~1/100,000
Video Output	BNC 1.0V p-p 75Ω
Gamma Correction	0.45
Lens Type	DC Iris Varifocal: 6-50mm focal length
Back Light Compensation	OFF/BLC/HS BLC Selectable
Auto Gain Control	Low/Middle/High Selectable
White Balance	ATW/AWB/AWC/Manual/Indoor/Outdoor Selectable
Sync. Mode	Internal/Line lock
Day & Night	Auto/Colour/BW/EXT (True Day/Night with ICR control module)
OSD menu	Multiple functions
IR Emitters	42 long life LEDs
IR Configuration	Split glass isolation prevents internal reflections
IR Wavelength	850nm
IR LED Minimum Lifespan	20,000 hours of operation
IR Range	Up to 80m (AGC ON)
IR Output	Intelligent Variable Intensity Illumination/Energy Management
3D-DNR	Off/On switchable
Digital WDR	Outdoor, Indoor
Digital Slow Shutter	Sens-Up to 256X
Mirror	Off/Mirror/V-Flip/Rotate Selectable
Digital Zoom	Off/On selectable up to 32X
Motion Detection	Off/On for 4 selectable zones
Privacy Mask	Off/On for 8 selectable zones
RS-485	Control input for menu/configuration
Power Source	2 types: 24VAC ; 100~240VAC
Power Consumption	24VAC: 20W ; 100~240VAC: 18W
Operating Temperature	-40°C~50°C ; -40°F~122°F (built-in heater) (20% ~ 80% humidity)
Weatherproof	IP66 rated
Heater	Yes, built-in
Vandal Resistant	Yes
Dimensions (W x D)	275mm x 115mm/10.8" x 4.5"
Certifications	CE, FCC

Dimensions



EZ630

560TVL, IR Day/Night plus
Wide Dynamic Range, IP66 Bullet Camera

NEW



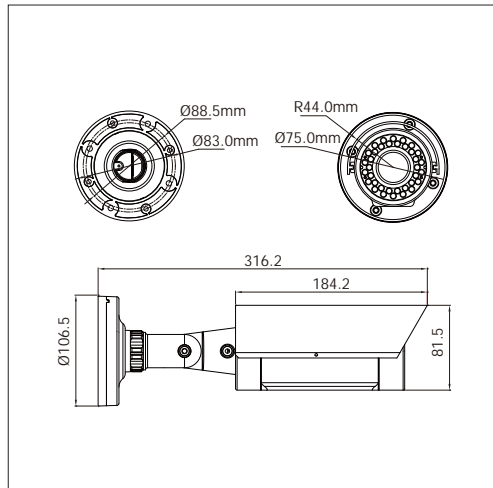
560 TVL	Outdoor	Speedy Mount Ring	4" Electrical Box Compatibility	Motorized VF/AF Lens	1" Conduit Compatibility	AWB Yes	Super Low Lux
POWER 12VDC/24VAC	Cable Management Solution	IP66 Weatherproof	HSBLC	BLC Yes	Vandal proof	WDR	3DNR
ES 1:50(1:80)~1:1100,000	True Day/Night	OSD	AGC Yes	Heater	RS485	IR 60m	



Features

- Super HAD II sensor at 0.05 Lux has 5X better native light sensitivity before DSP low light boost
- Starlight super high sensitivity of 0.0002 Lux/F=1.2 is achieved through a sensitivity increase setting of up to 256x
- Extended IR range of up to 60M(196ft) with 36 LEDs and variable output
- IR control to manage illumination and conserve energy
- Split glass to prevent internal IR reflections
- Full motion true day/night images even with no ambient light without ghosting
- True Day/Night with ICR module
- Motorized varifocal auto iris lens – choose 2.8-10mm or 9-22mm focal range
- Digital Wide Dynamic Range expansion to deliver properly exposed images despite bright light sources, deep shadows and/or unbalanced lighting in the same scene
- Provides 3D-Noise Reduction to improve picture clarity while enabling DVRs to improve disk storage utilization
- Flexible mounting and positioning – speedy-mount ring fits 4" round electrical box; or remove base to mate with 1" conduit
- E-Z Lock ring at the base is designed with easy to grip tabs to firmly clamp the camera in place, plus a set screw for added security.
- Easy to use OSD setup menu with local controls or RS-485 remote control
- Motion detection for 4 configurable zones
- Privacy mask function for 8 configurable zones
- Provides digital zoom up to 32x
- Easy bottom access to video test point and lens/OSD menu controls inside weatherproof cover
- IP66 weather resistant
- Vandal resistant
- Dual voltage (12VDC/24VAC) with line lock to AC supply

Dimensions



Specifications

Pickup Device	1/3" SONY Super HAD CCD II
Video Format	NTSC, PAL
Picture Elements	768 x 494 (NTSC)/752 x 582 (PAL)
Horizontal Resolution	560TVL
Sensitivity	0.05Lux/F=1.2(AGC ON) ; 0.0002Lux/F=1.2(Sens-up 256x) ; 0 Lux IR on.
S/N Ratio	Over 52dB (AGC off)
Electronic Shutter	1/60 (1/50)~1/100,000
Video Output	Main Output BNC 1.0V p-p 75Ω, Local test output, cable provided.
Gamma Correction	0.45
Lens Type	DC Iris Varifocal: 2.8-10mm (MVB) or 9-22mm (MV2) focal length
Back Light Compensation	OFF/BLC/HS BLC Selectable
Auto Gain Control	Low/Middle/High Selectable
White Balance	ATW/AWB/AWC/Manual/Indoor/Outdoor Selectable
Sync. Mode	Internal/Line lock
Day & Night	Auto/Colour/BW/EXT (True Day/Night with ICR control module)
OSD menu	Multiple functions
IR Emitters	36 long life LEDs
IR Configuration	Split glass isolation prevents internal reflections
IR Wavelength	850nm
IR LED Minimum Lifespan	20,000 hours of operation
IR Range	up to 60m (196ft)
IR Output	Intelligent Variable Intensity Illumination/Energy Management
3D-DNR	Off/On switchable
Digital WDR	Outdoor, Indoor
Digital Slow Shutter	Sens-Up 256X
Mirror	Off/Mirror/V-Flip/Rotate Selectable
Digital Zoom	Off/On selectable up to 32X
Motion Detection	Off/On for 4 selectable zones
Privacy Mask	Off/On for 8 selectable zones
RS-485	Control input for menu/configuration
Power Source	12VDC/24VAC
Power Consumption	12VDC:8W max. /24VAC: 9W max.
Operating Temperature	-40°C~50°C/-40°F~122°F (built-in heater)
Weatherproof	IP66 rated
Heater	Yes, built-in
Vandal Resistant	Yes
Dimensions (L x H x W)	316.2mm x 82.5mm x 105.5mm ; 12.49" x 3.24" x 4.15"
Weight	1250 g/2.275 lbs.
Mounting Pattern	Speedy-Mount Ring mates with 4" round electrical box; base swivel is 1" NPT – remove base plate for coupling to standard conduit fittings.
Certifications	CE, FCC

* Models vary in different countries. Please visit EverFocus regional websites for detailed ordering information
* Lens models and availability vary in different regions

* All product specifications are subject to change without notice

EZ330E/335E

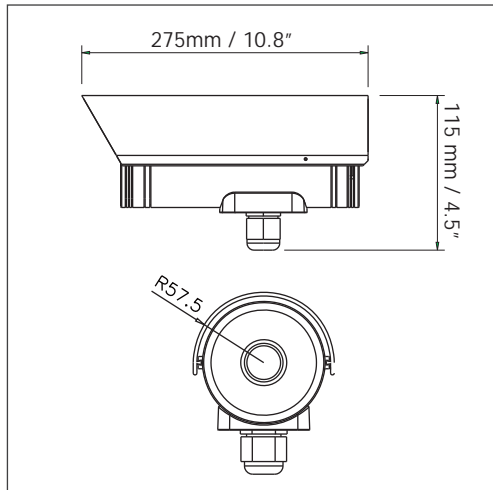
520TVL, Outdoor, Weatherproof, Long Range IR Bullet Camera



Features

- Low light sensitivity 0.4 Lux/F=1.2(AGC ON) is achieved by using the advanced 1/3" SONY Super HAD CCD
- 520TVL of horizontal resolution
- Vari-frequency IR control
- Long IR distance: 30 meters/98 feet for EZ330E and 50 meters/164 feet for EZ335E
- Lifespan of High Light IR LED is 20,000 hours
- IP66 weatherproof rated
- Built-in heater for camera to work in low temperature environment
- Cables covered by the bracket, to prevent from intentional destruction
- Internal cable connection provides installation without additional waterproof connection box
- Vandal Resistant design

Dimensions



Specifications

Product Model	EZ330E	EZ335E
Pickup Device	1/3" SONY Super HAD CCD	
Video Format	NTSC/PAL	
Scanning System	NTSC: 525 TVL, 60 fields/sec ; PAL: 625 TVL, 50 fields/sec.	
Picture Elements	768 x 494 (NTSC) ; 752 x 582 (PAL)	
Horizontal Resolution	520TVL	
Sensitivity	0.4 Lux/F=1.2 (AGC ON); 0 Lux (IR On)	
S/N Ratio	Over 48 dB (AGC off)	
Electronic Shutter	1/50(1/60)~1/100,000	
Video Output	BNC 1.0Vp-p, 75ohm	
Gamma Correction	0.45	
*Lens Type	6mm, 8mm	8mm, 16mm, 25mm
Black Light Comp.	Yes	
Auto Gain Control	Yes	
Auto White Balance	Yes	
Sync. Mode	Internal Sync.	
IR LED	35 pcs	
IR LED Lifespan	20,000 hours	
IR Distance	30m/98feet	50m/164feet
IR Wavelength	850nm	
Weatherproof	IP66	
Vandal Resistant	Yes	
Power Source	2 types: 24VAC ; 100VAC~240VAC	
Power Consumption	24VAC/100VAC~240VAC: 16W max.	
Operating Temperature	-40°C ~50°C/-40°F~122°F (20%~80% humidity)	
Dimensions (W x H x D)	115mm x 115mm x 275mm ; 4.5" x 4.5" x 10.8"	
Weight	2.5 kg ; 5.5 lbs (with bracket)	
Certifications	CE, FCC	

EZL32/33/35

520TVL, Weatherproof,
Long Range IR Bullet Camera

NEW



Bullet IR Cameras

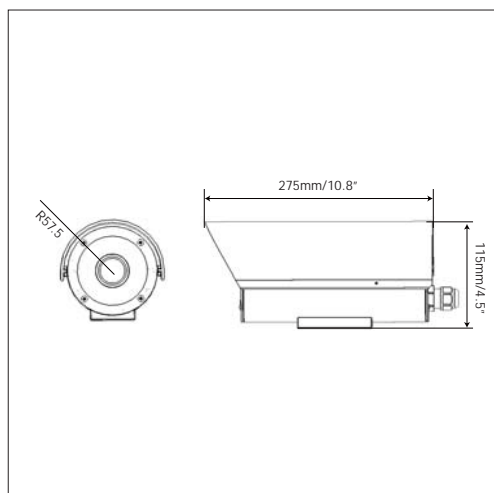
Features

- The electronic shutter and AGC functions allow the camera to be used in environment with varying light levels
- The advanced 1/3" SONY Super HAD colour CCD provides low light sensitivity 0.4 Lux/F=1.2 (AGC ON)
- Vari-frequency IR control
- Long IR distance: 20m/65ft for EZL32 ; 30m/98ft for EZL33 and 50m/164ft for EZL35
- Lifespan of High Light IR LED is 20,000 hours
- IP66 weatherproof rated
- Vandal proof design

Specifications

Model No.	EZL32	EZL33	EZL35
Pickup Device	1/3" SONY Super HAD CCD		
Picture Elements	NTSC: 768 x 494 ; PAL: 752 x 582		
Horizontal Resolution	520TVL		
Video Output	BNC 1.0Vp-p, 75ohm		
Lens Type	4.3mm	6mm, 3.8~9.5mm	8mm, 25mm
Sensitivity	0.4 Lux/F=1.2 (AGC ON) ; 0 Lux (IR On)		
Gamma Correction	0.45		
S/N Ratio	Over 48 dB (AGC off)		
Auto White Balance	Yes		
Black Light Comp.	Yes		
Auto Gain Control	Yes		
Sync. Mode	Internal Sync.		
IR Distance	20m/65ft	30m/98ft	50m/164ft
IR Wavelength	850nm		
IR LED Lifespan	20,000 hours		
Weatherproof	IP66		
Power Source	12VDC		
Power Consumption	12VDC: 2W max.		
Dimensions	115mm x 115mm x 275mm ; 4.5" x 4.5" x 10.8"		
Operating Temperature	-40°C~50°C/-40°F~122°F (20%~80% Humidity)		
Weight	1.75kg/3.8 lbs		

Dimensions



* Models vary in different countries. Please visit EverFocus regional websites for detailed ordering information
* Lens models and availability vary in different regions

* All product specifications are subject to change without notice

EZ430

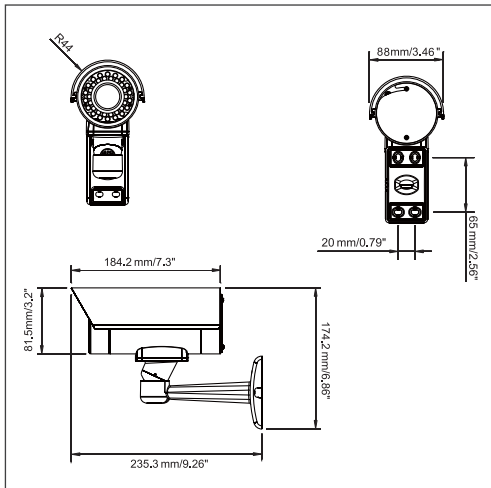
520 TVL, Weatherproof, Colour IR Bullet Camera



Features

- Low light sensitivity 0.4 Lux/F=1.2 (AGC ON) is achieved by using the advanced 1/3" SONY Super HAD CCD II
- 520TVL of excellent high resolution technology
- Up to 30 meters/98 ft. of IR range
- Vari-focal lens to offer you a wide variety of angle viewing
- True Day/Night function with removable IR cut filter
- Motorized lens controller for easy zoom and focus adjustment
- IRIS level adjustment
- Cable wires are placed inside camera bracket to eliminate messy wiring and damage
- Intelligent Vari-Frequency of IR control to save electricity and make brightness balance
- Split glass design to avoid LED light reflection
- Up to 20,000 hours of high IR LED lifespan
- Vandal resistant for intentional destruction
- Weatherproof and IP66 rated

Dimensions



Specifications

Pickup Device	1/3" SONY Super HAD CCD II
Video Format	NTSC/PAL
Scanning System	NTSC: 525TVL, 60 fields/sec ; PAL: 625TVL, 50 fields/sec.
Picture Elements	NTSC: 768 x 494 ; PAL: 752 x 582
Horizontal Resolution	520TVL
Sensitivity	0.4 Lux/F=1.2 (IR OFF) ; 0 Lux (IR ON)
S/N Ratio	Over 48 dB (AGC off)
Electronic Shutter	1/50 (1/60)~1/100,000
Video Output	BNC 1.0Vp-p, 75ohm
Gamma Correction	0.45
Lens Type	Vair-focal lens, f=2.9~10mm/F=1.2, f=9~22mm/F=1.6
Back Light Comp.	Yes
Auto Gain Control	Yes
White Balance	Yes
Sync. Mode	Internal sync
True Day & Night	Yes
IR LED	35 pcs
IR LED Lifespan	20,000 hours
IR Distance	30m/98ft
IR Wavelength	850nm
Weatherproof	IP66
Vandal Resistant	Yes
Heater	Yes, built-in
Power Source	12VDC/24VAC
Power Consumption	12VDC: 12W max. (Heater ON & IR LED ON) ; 24VAC: 15W max. (Heater ON & IR LED ON)
Operating Temperature	-40°C~-50°C/-40°F~-122°F (20%~80% humidity)
Dimensions (W x D x H)	88mm x 235.3mm x 174.2mm/3.46" x 9.26" x 6.86"
Weight	1.15kg/2.53lbs
Certifications	CE, FCC

ECZ330E

520TVL, Weatherproof, IR Mini Bullet Camera



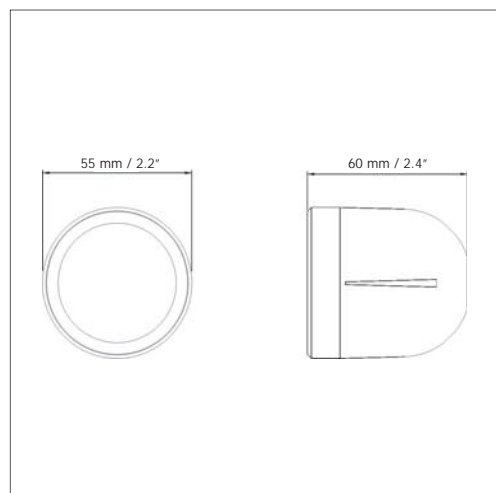
Features

- 520TVL of horizontal resolution
- 0 Lux when IR LED is ON
- Easy installation
- Auto Electronic Shutter function
- Automatic Gain Control function
- Auto White Balance function
- IR distance 10~12m/33~39ft
- Lifespan of IR LED is 20,000 hours
- Low light sensitivity 0.4 Lux/F=1.2 (AGC ON) is achieved by using the advanced 1/3" SONY Super HAD CCD

Specifications

Pickup Device	1/3" SONY Super HAD CCD
Video Format	NTSC/PAL
Scanning System	NTSC: 525TVL, 60 fields/sec ; PAL: 625TVL, 50 fields/sec.
Picture Elements	NTSC: 768 x 494 ; PAL: 752 x 582
Horizontal Resolution	520TVL
Sensitivity	0.4 Lux/F=1.2 (AGC ON)/0 Lux (IR LED on)
S/N Ratio	Over 48dB (AGC off)
Electronic Shutter	1/50 (1/60)~1/100,000
Lens Type	4.3mm/F=2.0, 6.0mm/F=2.0 *Lens models and availability vary in different regions
Back Light Comp.	Yes
Auto Gain Control	Yes
Auto White Balance	Yes
Gamma Correction	0.45
Video Output	BNC 1.0Vp-p, 75ohm
Sync. Mode	Internal sync
IR Distance	4.3mm Lens Type: 10m/6mm Lens Type: 12m
IR Wavelength	850nm
IR LED Lifespan	20,000 hours
IR Control	Vari-frequency
Weatherproof Ratings	IP66
IR Wavelength	850nm
Power Source	12VDC
Power Consumption	3W max.
Dimensions (W x H x D)	With sun shield: 60.5mm x 59.4 mm x 82mm ; 2.4" x 2.3" x 3.2" Without sun shield: 55mm (O.D.) x 60 mm (H) ; 2.2" (O.D.) x 2.4" (H)
Weight	0.3 kg
Operating Temperature	-10°C~50°C/14°F~122°F (20%~80% humidity)
Certifications	CE, FCC

Dimensions



* Models vary in different countries. Please visit EverFocus regional websites for detailed ordering information
* Lens models and availability vary in different regions

* All product specifications are subject to change without notice

ECZ255

420TVL, 1/3" Colour CCD, Weatherproof, IR Mini Bullet Camera

NEW



420 TVL	Indoor	ES 1/50(1/60)~ 1/100,000	AWB Yes	BLC Yes
IP66 Weatherproof	IR 30m	AGC Yes	COLOR NTSC, PAL	

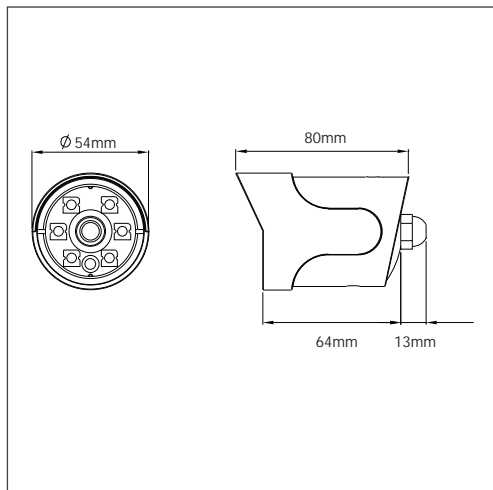
Features

- Mini bullet colour camera with SHARP 1/3" CCD sensor
- Employs Digital Signal Processor (DSP) chip-set for image control
- Pixel number: NTSC=270K/PAL=320K
- High sensitivity, low smear, high anti-blooming, and high S/N ratio
- Build-in functions: Auto Electronic Shutter (AES), Auto Gain Control (AGC), Auto White Balance(AWB)
- Built-in anti-aliasing optical filter
- Built-in Hi-power IR-LED x 6 for low light environments

Specifications

Pickup Device	SHARP 1/3" Colour CCD
Picture Elements	NTSC: 510 x 492 ; PAL: 500 x 582
Horizontal Resolution	420TVL
Minimum Illumination	0 LUX with built-in IR-LED
S/N Ratio	Over 48dB
Electronic Shutter	NTSC: 1/60s~1/100,000s ; PAL: 1/50s~1/110,000s
Gain Control	Auto
White Balance	Auto (2500K~9500K)
Gamma Correction	0.45
Lens Type	Board Lens 3.6 mm/F2.0
Sync Mode	Internal, Negative sync.
IR LED	6 Units of 850nm Hi-power IR LED
IR Distance	10~15m
Video Output	1 Vp-p Composite Video/75 Ohms.
Power Source	12VDC/180mA
Operating Temp.	-10°C~50°C/14°F~122°F
Weatherproof Ratings	IP66

Dimensions



EZ230E/235E

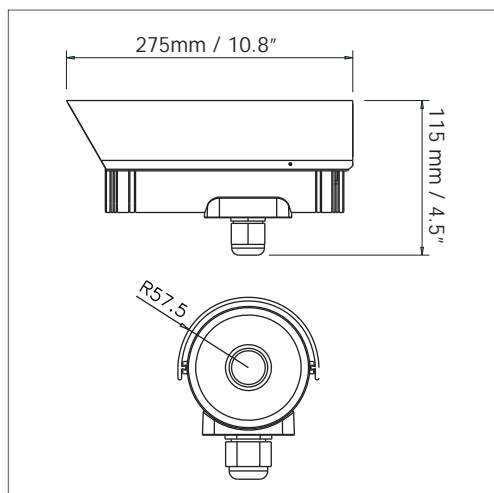
420TVL, Outdoor, Weatherproof, Long Range IR Bullet Camera



Features

- Low light sensitivity 0.3 Lux/F=1.2 (AGC ON) is achieved by using the advanced 1/3" SONY Super HAD CCD
- 420TVL of horizontal resolution
- Vari-frequency IR control
- Long IR distance: 30m/98ft for EZ230E and 50 m/164ft for EZ235E
- Lifespan of High Light IR LED is 20,000 hours
- IP66 weatherproof rated
- Internal cable connection provides installation without additional waterproof connection box
- Vandal Resistant design
- Built-in heater for camera to work in low temperature environment
- Cables covered by the bracket, to prevent from intentional destruction

Dimensions



Specifications

Model No.	EZ230E	EZ235E
Pickup Device	1/3" SONY Super HAD CCD	
Video Format	NTSC/PAL	
Scanning System	NTSC: 525TVL, 60 fields/sec ; PAL: 625TVL, 50 fields/sec.	
Picture Elements	510 x 492 (NTSC) ; 500 x 582 (PAL)	
Horizontal Resolution	420TVL	
Sensitivity	0.3 Lux/F=1.2 (AGC ON); 0 Lux (IR On)	
S/N Ratio	Over 48 dB (AGC off)	
Electronic Shutter	1/50(1/60)~1/100,000	
Video Output	BNC 1.0Vp-p, 75ohm	
Gamma Correction	0.45	
Lens Type	6mm, 8mm	8mm, 16mm, 25mm
Black Light Comp.	Yes	
Auto Gain Control	Yes	
Auto White Balance	Yes	
Sync. Mode	Internal Sync.	
IR LED	35 pcs	
IR LED Lifespan	20,000 hours	
IR Distance	30m/98feet	50m/164feet
IR Wavelength	850nm	
Weatherproof	IP66	
Vandal Resistant	Yes	
Power Source	2 types: 24VAC ; 100VAC~240VAC	
Power Consumption	24VAC/100VAC~240VAC: 16W max.	
Operating Temperature	-40°C ~50°C/-40°F~122°F (20%~80% humidity)	
Dimensions (W x H x D)	115mm x 115mm x 275mm ; 4.5" x 4.5" x 10.8"	
Weight	2.5 kg ; 5.5 lbs (with bracket)	
Certifications	CE, FCC	

* Models vary in different countries. Please visit EverFocus regional websites for detailed ordering information
 * Lens models and availability vary in different regions

* All product specifications are subject to change without notice

ECZ230E

420TVL, Weatherproof, IR Mini Bullet Camera



420 TVL	IR 10-12m	COLOR NTSC, PAL	ES 1/50(1/60)~ 1/100,000	AWB Yes	BLC Yes
Vandal proof	Call Management Solution	AGC Yes	Vari-frequency	POWER 12VDC/24VAC	IP66 Weatherproof

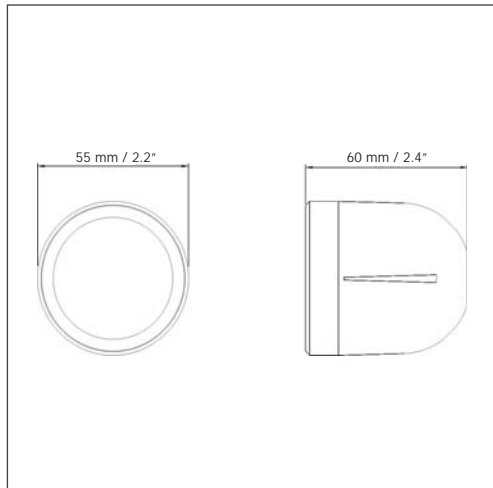
Features

- Low light sensitivity 0.3 Lux/F=1.2(AGC ON) is achieved by using the advanced 1/3" SONY Super HAD CCD
- 420TVL of horizontal resolution
- 0 Lux when IR LED is ON
- Easy installation
- Auto Electronic Shutter function
- Automatic Gain Control function
- Auto White Balance function
- IR distance 10~12m/33~39ft
- Lifespan of IR LED is 20,000 hours

Specifications

Pickup Device	1/3" SONY Super HAD CCD
Video Format	NTSC/PAL
Scanning System	NTSC: 525TVL, 60 fields/sec ; PAL: 625TVL, 50 fields/sec.
Picture Elements	510 x 492 (NTSC) ; 500 x 582 (PAL)
Horizontal Resolution	420TVL
Sensitivity	0.3 Lux/F=1.2 (AGC ON) 0 Lux (IR LED on)
S/N Ratio	Over 48dB (AGC off)
Electronic Shutter	1/50(1/60)~1/100,000
Video Output	BNC 1.0Vp-p, 75ohm
Gamma Correction	0.45
Lens Type	4.3mm/F=2.0, 6.0mm/F=2.0 *Lens models and availability vary in different regions
Back Light Comp.	Yes
Auto Gain Control	Yes
Auto White Balance	Yes
Sync. Mode	Internal sync
IR LED	14pcs
IR LED Lifespan	20,000 hours
IR Distance	4.3mm lens: 10m/6mm lens: 12m
IR Wavelength	850nm
Weatherproof	IP66
Power Source	12VDC
Power Consumption	12VDC: 3W max.
Operating Temperature	-10°C~50°C ; 14°F~122°F (20%~80% humidity)
Dimensions (W x H x D)	With sun shield: 60.5mm x 59.4 mm x 82mm ; 2.4" x 2.3" x 3.2" Without sun shield: 55mm (O.D.) x 60 mm (H) ; 2.2" (O.D.) x 2.4"(H)
Weight	0.3 kg ; 0.7 lbs
Certifications	CE, FCC

Dimensions



EZ610

560TVL, Colour Day/Night plus WDR, IP66 Bullet Camera



POLESTAR II



NEW

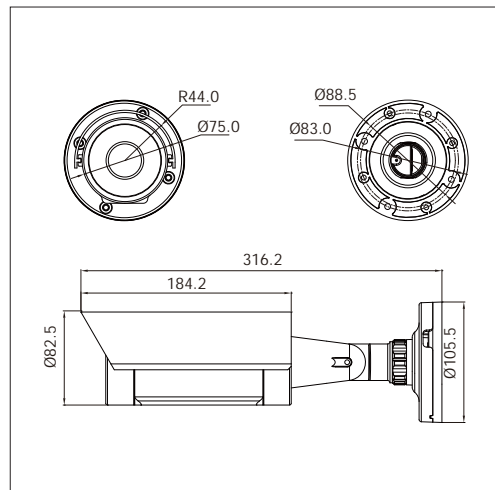


Bullet Cameras

Features

- Super HAD II sensor at 0.05 Lux has 5X better native light sensitivity before DSP low light boost
- Colour without compromise: your choice of full motion colour or true day/night images in low light without ghosting
- True Day/Night with ICR module
- Starlight super high sensitivity of 0.0002 Lux/F=1.2 is achieved through a sensitivity increase setting of up to 256x
- Motorized varifocal auto iris lens – choose 2.8-10mm or 9-22mm focal range
- Digital Wide Dynamic Range expansion to deliver properly exposed images despite bright light sources, deep shadows and/or unbalanced lighting in the same scene
- Provides 3D-Noise Reduction to improve picture clarity while enabling DVRs to improve disk storage utilization
- Flexible mounting and positioning – speedy-mount plate fits 4" electrical box; or remove base to mate with 1" conduit
- E-Z Lock ring at the base is designed with easy to grip tabs to reliably hold the camera in place, plus a set screw for added security
- Easy to use OSD setup menu with local or RS-485 remote control (DVR or keyboard)
- Motion detection for 4 configurable zones and local alarm output
- Privacy mask function for 8 configurable zones
- Provides digital zoom up to 32x
- Easy bottom access to video test point and lens/ODS menu controls
- IP66 weather resistant
- Vandal resistant
- Dual voltage (12VDC/24VAC) with line lock to AC supply

Dimensions



Specifications

Pickup Device	1/3" SONY Super HAD II CCD
Video Format	NTSC/PAL
Picture Elements	NTSC: 768 x 494/PAL: 752 x 582
Horizontal Resolution	560TVL
Sensitivity	0.05Lux/F=1.2 (AGC ON) ; 0.0002Lux/F=1.2 (Sens-up 256x)
S/N Ratio	Over 52dB (AGC off)
Electronic Shutter	1/50 (1/60) ~1/100,000
Video Output	BNC 1.0Vp-p 75Ω, Local test output, cable provided.
Gamma Correction	0.45
Lens Type	DC Iris Varifocal: 2.8-10mm (MVB) or 9-22mm (MV2) focal length
Back Light Compensation	OFF/BLC/HS BLC Selectable
Auto Gain Control	Low/Middle/High Selectable
White Balance	ATW/AWB/AWC/Manual/Indoor/Outdoor Selectable
Sync. Mode	Internal/Line lock
Day & Night	Auto/Colour/BW/EXT
OSD menu	Multiple functions
3D-DNR	Off/On switchable
Digital WDR	Outdoor, Indoor
Digital Slow Shutter	Sens-Up to 256X
Mirror	Off/Mirror/V-Flip/Rotate Selectable
Digital Zoom	Off/On selectable up to 32X
Motion Detection	Off/On for 4 selectable zones
Privacy Mask	Off/On for 8 selectable zones
RS-485	Control input for menu/configuration
Power Source	12VDC/24VAC
Power Consumption	12VDC:3W max./24VAC: 3W max.
Operating Temperature	-40°C~50°C/-40°F~122°F (20%~80% humidity)
Weatherproof	IP66 rated
Dimensions (L x H x W)	316.2mm x 82.5mm x 105.5mm/12.49" x 3.24" x 4.15"
Weight	1250g/2.275lbs
Mounting Pattern	Speedy-Mount Ring mates with 4" round electrical box; base swivel is 1" NPT – remove base plate for coupling to standard conduit fittings.
Certifications	CE, FCC

* Models vary in different countries. Please visit EverFocus regional websites for detailed ordering information
 * Lens models and availability vary in different regions

* All product specifications are subject to change without notice

EZ350HQ

560TVL, Weatherproof, Colour Bullet Camera



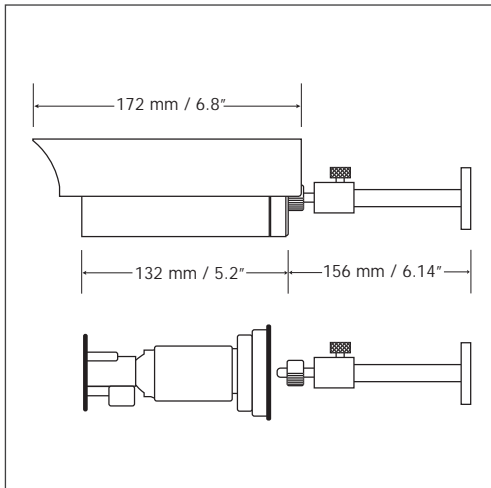
Features

- Low light sensitivity 0.5 Lux/F=1.2 (AGC ON) is achieved by using the advanced 1/3" SONY Super HAD CCD
- 560TVL of horizontal resolution
- Revolutionary integrated 10-bit Digital Signal Processor (DSP) delivers excellent picture quality and sharp colour images
- Intelligent backlight compensation with On/Off switch
- Camera can be operated in extreme low temperature -40°C/-40°F
- Removable sun shield
- IP66 Weatherproof rated

Specifications

Pickup Device	1/3" SONY Super HAD CCD
Video Format	NTSC/PAL
Scanning System	NTSC: 525TVL, 60 fields/sec ; PAL: 625TVL, 50 fields/sec.
Picture Elements	768 x 494 (NTSC) ; 752 x 582 (PAL)
Horizontal Resolution	560TVL
Sensitivity	0.5Lux/F=1.2
S/N Ratio	Over 48dB (AGC off)
Electronic Shutter	1/50 (1/60)~1/100,000
Lens Type	Vari-focal lens, Auto Iris f=3.8~9.5mm/F=1.2, f=9~22mm/F=1.6 *Lens models and availability vary in different regions
Back Light Comp.	On/Off switch
Auto Gain Control	On/Off switch
Flickerless	On/Off switch
Auto White Balance	Yes
Gamma Correction	0.45
Video Output	BNC 1.0Vp-p, 75ohm
Sync. Mode	Line Lock/Internal sync
Heater	Yes, built-in
Weatherproof	IP66
Power Source	12VDC/24VAC
Power Consumption	24VAC: 6VA max. (Heater OFF) 24VAC: 12.5VA max. (Heater ON) 12VDC: 4W max. (Heater OFF) 12VDC: 7.5W max. (Heater ON)
Dimensions (W x H x D)	With sun shield: 90.7mm x 70mm x 172mm /3.57" x 2.8" x 6.8" Without sun shield: 132mm (D) x 57mm (O.D)/5.2" (D) x 2.2" (O.D)
Weight	0.71kg/1.6lbs/0.91kg ; 2lbs (with bracket)
Operating Temperature	-40°C~50°C/-40°F~122°F (20%~80% humidity)
Heater Activation Temp	Yes, 10°C On/20°C Off
Certifications	CE, FCC

Dimensions



EQ610

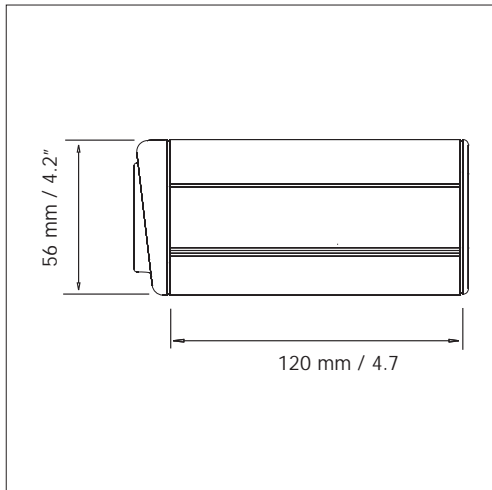
560TVL, Super Low Lux, WDR & True Day/Night Box Camera



Features

- Super HAD II sensor at .05 lux has 5X better native light sensitivity before DSP low light boost
- Colour without compromise: your choice of full motion colour or true day/night images in low light without ghosting
- True Day/Night with ICR control (Optional)
- Starlight super high sensitivity of 0.0002 Lux/F=1.2 is achieved through a sensitivity increase setting of up to 256x
- Digital Wide Dynamic Range expansion to deliver properly exposed images despite bright light sources, deep shadows and/or unbalanced lighting in the same scene
- Provides 3D-Noise Reduction to improve picture clarity while enabling DVRs to
- improve disk storage utilization
- Accepts C/CS mount manual or DC iris lenses
- Easy to use OSD setup menu with local or RS-485 remote control (DVR or keyboard)
- Motion detection for 4 configurable zones and local alarm output
- Privacy mask function for 8 configurable zones
- Provides digital zoom up to 32x
- Dual voltage (12VDC/24VAC) or universal power (100-240VAC) with line lock to AC supply

Dimensions



Specifications

Pickup Device	1/3" SONY Super HAD CCD II
Video Format	NTSC/PAL
Scanning System	NTSC: 525TVL, 60 fields/sec ;PAL: 625TVL, 50 fields/sec.
Picture Elements	768 x 494 (NTSC) ; 752 x 582 (PAL)
Horizontal Resolution	560TVL
Sensitivity	0.05Lux/F=1.2 (AGC ON) ; 0.0002Lux/F=1.2 (Sens-up 256x)
S/N Ratio	Over 52dB (AGC off)
Electronic Shutter	1/50 (1/60)~1/100,000
Video Output	BNC 1.0 Vp-p ,75ohm
Gamma Correction	0.45
Lens Type	Manual or DC (DD) type C/CS Mount (Lens sold separately)
Back Light Compensation	BLC, OFF, HS BLC Selectable
Auto Gain Control	Off/Low/Middle/High Selectable
White Balance	ATW/AWB/AWC/Manual/Indoor/Outdoor Selectable
Sync. Mode	Internal/Line lock external sync.
Day & Night	Yes, (Auto, Colour, B/W, EXT)
OSD menu	Yes
3DNR	Off/On switchable
D-WDR	Outdoor, Indoor
Digital Slow Shutter	Sens-Up~256x
Mirror	Off/Mirror/V-Flip/Rotate Selectable
Digital Zoom	Off/On switchable
Motion Detection	Off/On for 4 selectable zones
Privacy Mask	Off/On for 8 selectable zones
Alarm	1 output (3.3VDC)
RS-485	Yes, Built-in
Power Source	12VDC/24VAC ; 100~240VAC; 12VDC only
Power Consumption	12VDC:3W max. ; 24VAC:3W max. ; 100VAC: 4W max. ; 240VAC: 5W max.
Operating Temperature	0°C~50°C/32°F~122°F (20%~80% humidity)
Dimensions (W x H x D)	68mm x 56mm x120mm ; 4.8" x 4.2" x 4.7"
Weight	0.4 kg ; 0.9 lbs
Certifications	CE, FCC

* Models vary in different countries. Please visit EverFocus regional websites for detailed ordering information
 * Lens models and availability vary in different regions

* All product specifications are subject to change without notice

EQ350HQ

560TVL, Aluminum Box Camera



560 TVL	COLOR NTSC, PAL	AWB Yes	ES 180(1/60)~ 1/100,000	BLC Yes
AGC ON/OFF	POWER 12VDC/24VAC	AI Auto Iris	FL ON/OFF	



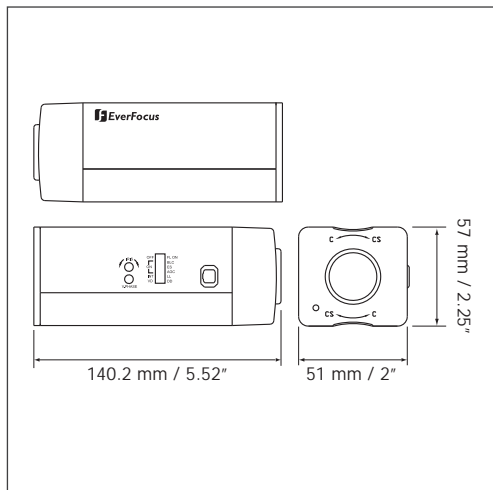
Features

- Low light sensitivity 0.5 Lux/F=1.2 (AGC ON) is achieved by using the advanced 1/3" SONY Super HAD CCD
- 560TVL of horizontal resolution
- Revolutionary integrated 10-bit Digital Signal Processor (DSP) delivers sharp colour images and excellent picture quality
- Wide range automatic electronic shutter: 1/60 (1/50)~1/100,000
- Auto line lock with external phase adjustment
- C/mount or CS-mount adjustable with easy back-focus adjustment wheel on the camera
- Smart FL mode for fluorescent light or 1/100sec (NTSC)
- Utilizing innovative Pure Vision Technology

Specifications

Pickup Device	1/3" SONY Super HAD CCD
Picture Elements	NTSC: 768 x 494 ; PAL: 752 x 582
Video Format	NTSC/PAL
Scanning System	NTSC: 525TVL, 60 fields/sec ; PAL: 625TVL, 50 fields/sec.
Horizontal Resolution	560TVL
Sensitivity	0.5 Lux/F=1.2
S/N Ratio	Over 48dB (AGC off)
Electronic Shutter	1/50 (1/60)~1/100,000
Lens Type	C/CS mount, Video Drive/Direct Drive (Lens sold separately)
Back Light Comp.	On/Off switch
Auto Gain Control	On/Off switch
Fluorescent Light	On/Off switch
Auto White Balance	Yes
Gamma Correction	0.45
Video Output	BNC 1.0Vp-p,75 ohm
Sync. Mode	Line Lock/Internal sync
Phase Control	V-Phase +/-90
Power Source	2 types: 100VAC~240VAC ; 12VDC/24VAC
Power Consumption	100VAC~240VAC: 12VA max. ; 24VAC: 7VA max. ; 12VDC: 4.5W max.
Dimensions (W x H x D)	57mm x 51mm x 140.2mm/2.25" x 2" x 5.52"
Weight	0.5kg/1.1lbs
Operating Temperature	0°C~50°C/32°F~122°F (20%-80% humidity)
Certifications	CE, FCC

Dimensions



EI 350HQ

560TVL, Pure Vision Lens, Integrated Colour Camera



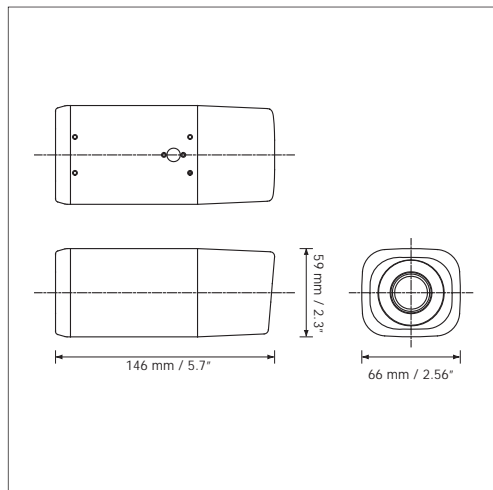
Features

- Low light sensitivity 0.5 Lux/F=1.2(AGC ON) is achieved by using the advanced 1/3" SONY Super HAD CCD
- 560TVL of horizontal resolution
- Revolutionary integrated 10-bit Digital Signal Processor (DSP) delivers excellent picture quality an sharp colour images
- Intelligent backlight compensation
- Utilizes Pure Vision Technology

Specifications

Pickup Device	1/3" SONY Super HAD CCD
Video Format	NTSC/PAL
Scanning System	NTSC: 525TVL, 60 fields/sec ; PAL: 625TVL, 50 fields/sec.
Picture Elements	NTSC: 768 x 494 ; PAL: 752 x 582
Horizontal Resolution	560TVL
Sensitivity	0.5 Lux/F=1.2
S/N Ratio	Over 48dB (AGC off)
Electronic Shutter	1/50 (1/60)~1/100,000
Lens Type	Vari-focal lens, Auto Iris f=3.8~ 9.5mm, F=1.2
Back Light Comp.	On/Off switch
Auto Gain Control	On/Off switch
Auto White Balance	Yes
Gamma Correction	0.45
Video Output	BNC 1.0Vp-p, 75 ohm
Sync. Mode	Line Lock/Internal Sync
Power Source	12VDC/24VAC
Power Consumption	24VAC: 7.5VA max. ; 12VDC: 4.5W max.
Dimensions (W x H x D)	66mm x 59mm x 146mm/2.56" x 2.3" x 5.7"
Weight	0.4kg/0.9lbs
Mounting Bracket (H x Φ)	Aluminum, 145mm x 56.5mm/ 5.7" x 2.2" ; Max Load 3kgs
Operating Temperature	0°C~50°C/32°F~122°F (20%-80% humidity)
Certifications	CE, FCC

Dimensions



* Models vary in different countries. Please visit EverFocus regional websites for detailed ordering information
* Lens models and availability vary in different regions

* All product specifications are subject to change without notice

EQ300E

520TVL, Aluminum Box Camera with Simple Day/Night



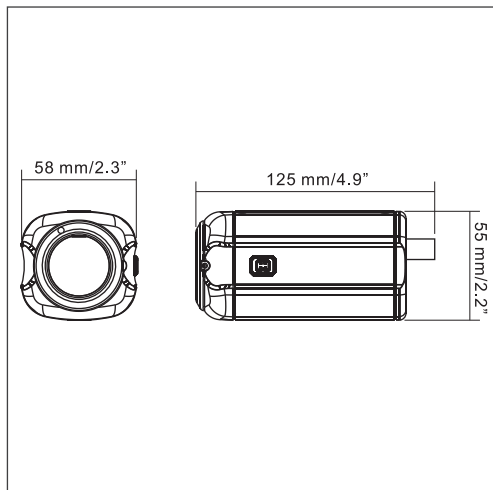
Features

- 520TVL of horizontal resolution
- Support video drive and DC drive auto IRIS lens
- Designed with advance digital signal processing circuitry for high image quality
- Day/Night Auto/Off switchable
- ES, BLC, AGC and FL On/Off switchable
- Compatible with both C-mount and CS-mount lens (adapter ring included)
- System available for NTSC or PAL
- Low light sensitivity 0.4 Lux/F=1.2 (AGC ON) is achieved by using the advanced 1/3" SONY Super HAD CCD

Specifications

Pickup Device	1/3" SONY Super HAD CCD
Video Format	NTSC/PAL
Scanning System	NTSC: 525TVL, 60 fields/sec ; PAL: 625TVL, 50 fields/sec.
Picture Elements	NTSC: 768 x 494 ; PAL: 752 x 582
Horizontal Resolution	520TVL
Sensitivity	0.4 Lux/F=1.2
S/N Ratio	Over 48dB (AGC off)
Electronic Shutter	1/50 (1/60)~1/100,000
Auto Iris	Video Drive/Direct Drive switch
Back Light Comp.	On/Off switch
Auto Gain Control	On/Off switch
Flickerless	On/Off switch
Day & Night Mode	Auto/Off switch
Auto White Balance	Yes
Gamma Correction	0.45
Video Output	BNC 1.0Vp-p, 75 ohm
Sync. Mode	Internal sync
Lens Type	C/CS mount (Lens sold separately)
Audio	Optional
Power Source	3 types: 12VDC only ; 12VDC/24VAC ; 100VAC~240VAC
Power Consumption	12VDC: 1.6W max. ; 24VAC: 2.2W max. 100VAC~240VAC: 1.6W max.
Dimensions (W x H x D)	58mm x 55mm x 125mm/2.3" x 2.2" x 4.9"
Weight	0.25kg/0.55lbs
Operating Temperature	0°C~50°C/32°F~122°F (20%~80% humidity)
Lens	Lens sold separately
Certifications	CE, FCC

Dimensions



EQ200E

420TVL, Aluminum Box Camera with Simple Day/Night



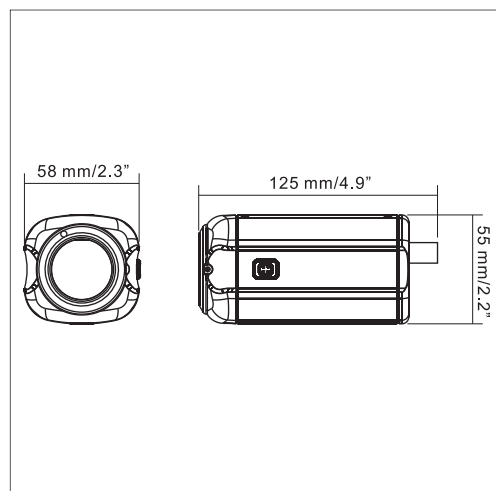
Features

- 420TVL of horizontal resolution
- Support video drive and DC drive auto IRIS lens
- Designed with advance digital signal processing circuitry for high image quality
- Day/Night Auto/Off switchable
- ES, BLC, AGC and FL On/Off switchable
- Compatible with both C-mount and CS-mount lens (adapter ring included)
- System available for NTSC or PAL
- Low light sensitivity 0.3 Lux/F=1.2 (AGC ON) is achieved by using the advanced 1/3" SONY Super HAD CCD

Specifications

Pickup Device	1/3" SONY Super HAD CCD
Video Format	NTSC/PAL
Scanning System	NTSC: 525TVL, 60 fields/sec ; PAL: 625TVL, 50 fields/sec.
Picture Elements	NTSC: 510 x 492 ; PAL: 500 x 582
Horizontal Resolution	420TVL
Sensitivity	0.3 Lux/F=1.2
S/N Ratio	Over 48dB (AGC off)
Electronic Shutter	1/50 (1/60)~1/100,000
Auto Iris	Video Drive/Direct Drive switch
Back Light Comp.	On/Off switch
Auto Gain Control	On/Off switch
Flickerless	On/Off switch
Day & Night Mode	Auto/Off switch
Auto White Balance	Yes
Gamma Correction	0.45
Video Output	BNC 1.0Vp-p, 75 ohm
Sync. Mode	Internal sync
Lens Type	C/CS mount (Lens sold separately)
Audio	Optional
Power Source	3 types: 12VDC only ; 12VDC/24VAC ; 100VAC~240VAC
Power Consumption	12VDC: 1.6W max. ; 24VAC: 2.2W max. 100VAC~240VAC: 1.6W max.
Dimensions (W x H x D)	58mm x 55mm x 125mm/2.3" x 2.2" x 4.9"
Weight	0.25kg/0.55lbs
Operating Temperature	0°C~50°C/32°F~122°F (20%~80% humidity)
Certifications	CE, FCC

Dimensions



* Models vary in different countries. Please visit EverFocus regional websites for detailed ordering information
* Lens models and availability vary in different regions

* All product specifications are subject to change without notice

ESD2512/ESD2583

1/3" Covert Camera in PIR Housing



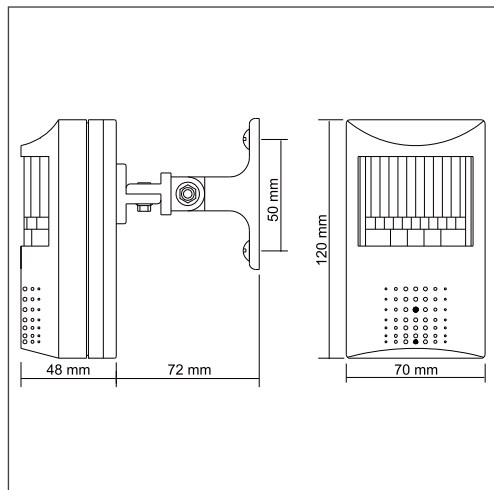
Features

- Sony Super HAD II high sensitivity CCD sensor
- Built-in Cone Lens
- Option PIR sensor board for motion detection

Specifications

Model No.	ESD2512	ESD2583
Image Device	1/3" Colour Sony Super HAD II	1/3" Colour Sony Super HAD II
Picture Elements (HxV)	NTSC: 510x492, PAL: 500x582	NTSC: 768x494, PAL: 752x582
Resolution	420 TVL	
Min. Illumination	0.01 Lux/ F1.2	0.02 Lux/ F1.2
S/N Ratio	More than 48dB	
Electronic Shutter	NTSC: 1/60~100,000, PAL: 1/50~1/110,000	
Gamma	0.45	
Lens Furnished	Cone Lens 3.7mm/ F2.0	
White Balance	Auto	
Gain Control	Auto	
PIR N.C/N.O Relay Output	3A/120 VAC, 3A/24 VAC	
PIR N.C/N.O Relay Alarm Time	2 to 40 sec. (adjustable)	
PIR Detection Angle	Hor.=100° / Ver.=45°	
PIR Max. Detection Range	Up to 15M	
Sync. System	Internal	
Video Output	1 Vp-p / 75 Ohms	
Audio Output	2 Vp-p / 50 Ohms	
Power Supply	DC12V±10%	
Power Consumption	200mA max.	145mA max.
Operation Temp.	-10°C~50°C	

Dimensions



ESD200

420TVL, Covert (Fake Smoke Detector) Colour Camera, available with 1,2,3 or 4 cameras built in



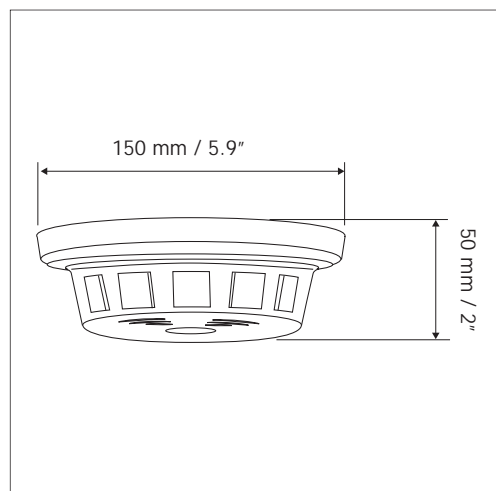
Features

- Low light sensitivity 0.3 Lux/F=1.2 (AGC ON) is achieved by using the advanced 1/3" SONY Super HAD CCD
- 420TVL of horizontal resolution
- Designed with advance digital signal processing circuitry for high image quality
- Built-in fixed lens
- User can simultaneously install up to 4 cameras for a complete 360° surveillance
- Back Light Comp., Auto Gain Control and Auto White Balance functions
- Compact size: 150mm x 50mm ; 5.9" x 2"
- System available for NTSC or PAL

Specifications

Pickup Device	1/3" SONY Super HAD CCD
Video Format	NTSC/PAL
Scanning System	NTSC: 525TVL, 60 fields/sec ; PAL: 625TVL, 50 fields/sec.
Picture Elements	NTSC: 510 x 492 ; PAL: 500 x 582
Horizontal Resolution	420TVL
Sensitivity	0.3 Lux/F=1.2
S/N Ratio	Over 48dB (AGC off)
Electronic Shutter	1/50 (1/60)~1/100,000
Lens Type	f=4.3mm ; f=6.0mm ; f=8.0mm *Lens models and availability vary in different regions
Back Light Comp.	Yes
Auto Gain Control	Yes
Auto White Balance	Yes
Gamma Correction	0.45
Video Output	BNC 1.0Vp-p, 75 ohm
Sync. Mode	Internal sync
Power Source	12VDC
Power Consumption	3W max.
Dimensions (Φ x H)	150 mm x 50 mm/5.9" x 2"
Weight	0.32kg/0.7lbs
Operating Temperature	0°C~50°C/32°F~122°F (20%~80% humidity)
Certifications	CE, FCC

Dimensions



* Models vary in different countries. Please visit EverFocus regional websites for detailed ordering information
* Lens models and availability vary in different regions

* All product specifications are subject to change without notice

EM200

420TVL, Metal Case Colour Camera



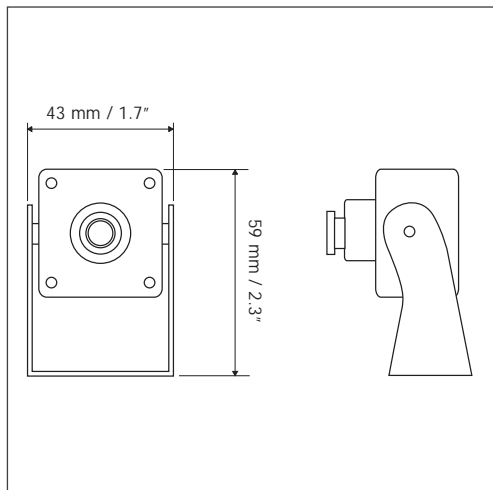
Features

- Low light sensitivity 0.3 Lux/F=1.2(AGC ON) is achieved by using the advanced 1/3" SONY Super HAD CCD
- 420TVL of horizontal resolution
- The electronic shutter and AGC allow the camera to be used in environment with varying light levels
- Built-in anti-aliasing and IR cut optial filter, except pinhole modules
- System available for NTSC and PAL

Specifications

Pickup Device	1/3" SONY Super HAD CCD
Video Format	NTSC/PAL
Scanning System	NTSC: 525TVL, 60 fields/sec ; PAL: 625 TVL, 50 fields/sec
Picture Elements	NTSC: 510 x 492 ; PAL: 500 x 582
Horizontal Resolution	420TVL
Sensitivity	0.3 Lux/F=1.2
S/N Ratio	Over 48dB (AGC off)
Electronic Shutter	1/50 (1/60)~1/100,000
Video Output	BNC 1.0Vp-p,75 ohm
Gamma Correction	0.45
Lens Type	f=3.6mm ; f=4.3mm ; f=6.0mm ; f=8.0mm *Lens models and availability vary in different regions
Lens Mount	M12 x P0.5
Back Light Comp.	Yes
Auto Gain Control	Yes
Auto White Balance	Yes
Sync. Mode	Internal Sync.
Power Source	12VDC
Power Consumption	3W max.
Operating Temperature	0°C~50°C/32°F~122°F (20%~80% humidity)
Dimensions (W x D x H)	36mm x 36mm x 31mm/1.42" x 1.42" x 1.22"
Weight	0.09kg/0.20lbs
Certifications	CE, FCC

Dimensions



EB200

420TVL, Colour Camera Module



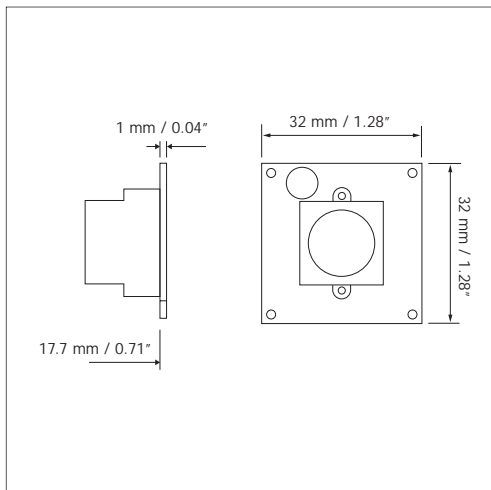
Features

- Low light sensitivity 0.3 Lux/F=1.2(AGC ON) is achieved by using the advanced 1/3" SONY Super HAD CCD
- 420TVL of horizontal resolution
- The electronic shutter and AGC allow the camera to be used in environment with varying light levels
- Built-in audio function
- Shipped with complete assemblage, easy camera position adjustments
- System available for NTSC and PAL

Specifications

Pickup Device	1/3" SONY Super HAD CCD
Dimensions	NTSC/PAL
Scanning System	NTSC: 525TVL, 60 fields/sec ; PAL: 625TVL, 50 fields/sec
Picture Elements	NTSC: 510 x 492 ; PAL: 500 x 580
Horizontal Resolution	420TVL
Sensitivity	0.3 Lux/F=1.2
S/N Ratio	Over 48dB (Auto off)
Electronic Shutter	1/50 (1/60)~1/100,000
Video Output	BNC 1.0Vp-p, 75 ohm
Gamma Correction	0.45
Lens Type	f=3.6mm ; f=4.3mm ; f=6.0mm ; f=8.0mm *Lens models and availability vary in different regions
Lens Mount	M12 x P0.5
Back Light Comp.	Yes
Auto Gain Control	Yes
Auto White Balance	Yes
Sync. Mode	Internal sync
Power Source	12VDC
Power Consumption	3W max.
Operating Temperature	0°C~50°C/32°F~122°F (20%~80% humidity)
Dimensions	32mm x 32mm/1.28" x 1.28"
Weight	0.02kg/0.04lbs
Certifications	CE, FCC

Dimensions



* Models vary in different countries. Please visit EverFocus regional websites for detailed ordering information
* Lens models and availability vary in different regions

* All product specifications are subject to change without notice



IP Surveillance

EQN2200/2201

H.264, 2 Megapixel, HD Network Camera
(Q-Cam Network Camera)

NEW



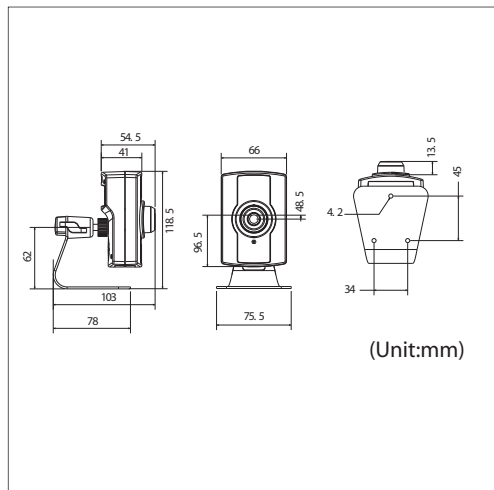
Features

- 2 Megapixel image capture (Max. Resolution: 1600 x 1200)
- Built in H.264 and M-JPEG dual stream output at 720p image size with up to 30fps
- Integrated fix focus wide angle lens (4.3mm), adjustable focus
- Full screen monitoring
- Two-way audio capability
- Built-in microphone & speaker
- Image transfer by motion detection, digital I/O
- Smart wizard event management
- Plug-and-play installation
- Image date and time stamp
- Built-in 802.11g/b wireless (EQN2201)

Specifications

Product Model	EQN2200: wired interface EQN2201: wired and wireless interface
CAMERA	
Pickup Device	1/3" progressive scan CMOS sensor, 2 Megapixel
Lens	4.3mm/F=1.8
Sensitivity	0.5Lux /F=1.8
VIDEO STREAMING	
Video Compression	H.264/M-JPEG
Video Resolution	1600 x 1200~160 x 120
Frame Rate	1600 x 1200@10fps, 1280 x 960@15fps, 720p lower@ 30fps
AUDIO (Optional)	
Microphone & Speaker	Built-in
Operation Mode	Two-way audio
NETWORK	
Interface	10Base-T/100Base-TX auto-negotiation, RJ-45 socket Support MDI/MDI-X auto crossover function Built-in IEEE 802.11b/g WLAN (for EQN2201)
Supported Protocols	HTTP, TCP/IP, UDP, RTP, RTSP, FTP, SMTP, DHCP, DNS, DDNS, NTP, ONVIF, PSIA
TERMINAL I/O	
Alarm Input/Output	1/1
EVENT MANAGEMENT	
Event Trigger	Alarm Input, Manual Trigger, Motion Detection
Notification	Trigger alarm output, Send mail notification, Upload video to FTP and Network alarm
POWER	
Power Supply	5VDC
Power Consumption	EQN2200: 3.5W max. EQN2201: 4.0W max.
PHYSICAL	
Weight	140g/0.31lbs
Dimension (H x W x D)	97 x 66 x 55mm/3.8" x 2.6" x 2.2"
ENVIRONMENTAL	
Operating Temp.	0°C~40°C/32°F~104°F
Humidity	< 90% not condensing
Certificates	CE, FCC

Dimensions



* Models vary in different countries. Please visit EverFocus regional websites for detailed ordering information
* Lens models and availability vary in different regions

* All product specifications are subject to change without notice

EDN3240

2 Megapixel, H.264, Full HD,
IR Network Dome Camera

NEW



neVio HD
Series



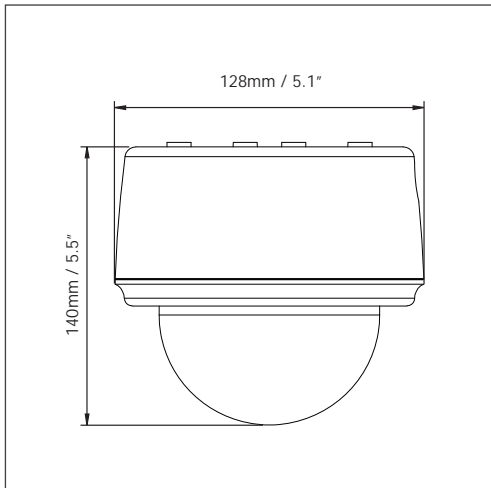
PSIA & ONVIF
Compliant



Features

- 1/3" 1080p/720p HD colour CMOS image sensor delivers HDTV video quality in 16:9 aspect ratio
- Supports both H.264 and Motion JPEG in full 30 fps frame rate
- High performance noise filter improves image quality and conserves disk storage
- Provides NTSC/PAL TV signal output for local aim and focus or display on an analog monitor.
- Dual codec for H.264 and MJPEG allows choice of stream formats to fit the application
- Built-in slot for an SDHC card enables local event or backup recording in the event of network interruptions
- Provides true day/night functionality with automatic IR filter operation
- Two Way Audio transport (line level input/output)
- ONVIF / PSIA compliance interoperates with a broad range of systems
- Dual power capability PoE or 12VDC for flexible installation
- Local alarm inputs and outputs

Dimensions



Specifications

CAMERA	
Camera Type	2MP Full HD Network Dome Camera
Pickup Device	1/3" Progressive Scan CMOS
Pixel Effective	1920 x 1080
Sensitivity	0.4 Lux / F=1.2 (IR Off)/0 Lux (IR On)
Day & Night	True Day/Night with IR cut filter
Electronic Shutter	Rolling
Lens	Vari-Focal Lens (3.3~10mm/F=1.2)
Video Output	Yes
IR Distance	20m
IR Wavelength	850nm
VIDEO STREAMING	
Video Compression	H.264/MJPEG
Video Resolution	Max. 1920x1080
Frame Rate	30fps@1920x1080p
AUDIO	
Audio I/O	1/1
Operation Mode	Two-way audio
NETWORK	
Interface	10Base-T/100Base-TX auto-negotiation, RJ-45 socket ; Support MDI/MDI-X auto crossover function
Supported Protocols	HTTP, TCP/IP, UDP, RTP, RTSP, FTP, SMTP, DHCP, DNS, DDNS, NTP, uPnP, PSIA, ONVIF
TERMINAL I/O	
RS-485	Yes
Alarm Input/Output	2/1
EVENT MANAGEMENT	
Event Triggered by	Alarm input, Manual trigger, Motion detection
Notification	Trigger alarm output, Send mail notification, Upload video to FTP, Record video to SD card, Send HTTP notification and Network alarm
LOCAL STORAGE	
SD Card	SD/SDHC memory card slot (card is not included)
POWER	
Power Supply	12VDC
Power Consumption	6 max. (12VDC)
PHYSICAL	
Weight	660g/1.45 lbs
Dimension (Φ x H)	Surface Type: 140mm x 128mm/5.5" x 5.1" Flush Type: 140mm x 68mm/5.5" x 2.8"
ENVIRONMENTAL	
Operation Temperature	0°C~40°C/32°F~104°F (20%~80% humidity)
Certificates	CE, FCC

EHN3200

2 Megapixel, H.264, Full HD, Outdoor Network Dome Camera

NEW

neVIO HD
Series



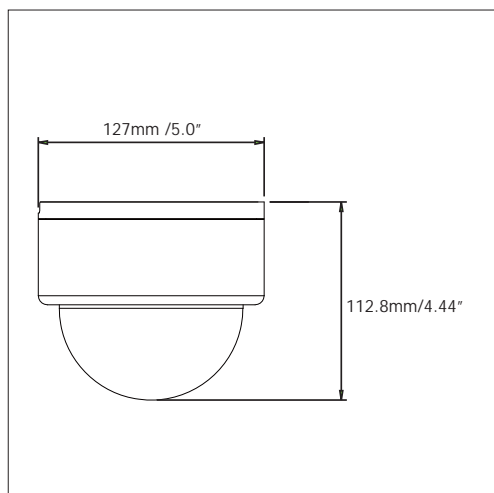
PSIA & ONVIF
Compliant



Features

- 1/3" 1080p/720p HD colour CMOS image sensor delivers HDTV video quality in 16:9 aspect ratio
- Supports both H.264 and Motion JPEG in full 30 fps frame rate.
- High Performance Noise Filter improves image quality and conserves disk storage
- Provides NTSC/PAL TV signal output for local aim and focus or display on an analog monitor.
- Dual Codec for H.264 and MJPEG allows choice of stream formats to fit the application
- Built-in slot for an SDHC card enables local event or backup recording in the event of network interruptions
- Provides true day/night functionality with automatic IR filter operation
- Two Way Audio transport (line level input/output)
- ONVIF / PSIA compliance interoperates with a broad range of systems
- Dual power capability PoE or 12VDC for flexible installation
- Local alarm inputs and outputs

Dimensions



Specifications

CAMERA	
Camera Type	2MP Full HD Network Outdoor Network Dome Camera
Pickup Device	1/3" Progressive Scan CMOS
Pixel Effective	1920 x 1080
Sensitivity	0.4 Lux/F=1.2
Day & Night	True Day/Night with IR cut filter
Electronic Shutter	Rolling
Lens	Vari-Focal Lens (3.3~10mm/F=1.2)
Video Output	Yes
VIDEO STREAMING	
Video Compression	H.264/MJPEG
Video Resolution	Max. 1920 x 1080
Frame Rate	30fps@1920 x 1080p
AUDIO	
Audio I/O	1/1
Operation Mode	Two-way audio
NETWORK	
Interface	10Base-T/100Base-TX auto-negotiation, RJ-45 socket ; Support MDI/MDI-X auto crossover function
Supported Protocols	HTTP, TCP/IP, UDP, RTP, RTSP, FTP, SMTP, DHCP, DNS, DDNS, NTP, uPnP, PSIA, ONVIF
TERMINAL I/O	
Alarm Input/Output	1/1
EVENT MANAGEMENT	
Event Triggered by	Alarm input, Manual trigger, Motion detection
Notification	Trigger alarm output, Send mail notification, Upload video to FTP, Record video to SD card, Send HTTP notification and Network alarm
LOCAL STORAGE	
SD Card	SD/SDHC memory card slot (card is not included)
POWER	
Power Supply	12VDC & PoE
Power over Ethernet	Yes (PoE 802.3af 48VDC)
Power Consumption	5W max. (12VDC)
PHYSICAL	
Weight	740g/1.6 lbs
Dimension (Φ x H)	123mm x 107.8mm/4.8" x 4.2"
ENVIRONMENTAL	
Operation Temperature	-10°C~50°C/14°F~122°F (20%~80% humidity)
OTHERS	
Weatherproof Ratings	IP66
Vandal Resistant	Yes
Certificates	CE, FCC

* Models vary in different countries. Please visit EverFocus regional websites for detailed ordering information
* Lens models and availability vary in different regions

* All product specifications are subject to change without notice

EZN3240

2 Megapixel, H.264, Full HD, Outdoor, IR Network Bullet Camera

NEW

neVIO HD
Series



PSIA & ONVIF
Compliant

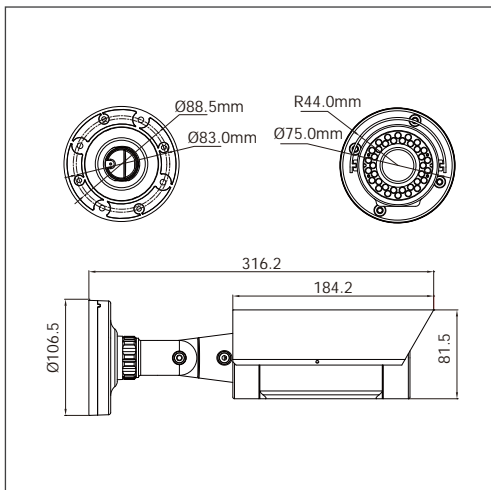


2 Megapixel HD IP Cameras

Features

- 1/3" 1080p/720p HD colour CMOS image sensor delivers HDTV video quality in 16:9 aspect ratio
- Supports both H.264 and Motion JPEG in full 30 fps frame rate.
- High Performance Noise Filter improves image quality and conserves disk storage
- Provides NTSC/PAL TV signal output for local aim and focus or display on an analog monitor.
- Dual Codec for H.264 and MJPEG allows choice of stream formats to fit the application
- Built-in slot for an SDHC card enables local event or backup recording in the event of network interruptions
- Provides true day/night functionality with automatic IR filter operation
- Two Way Audio transport (line level input/output)
- ONVIF / PSIA compliance interoperates with a broad range of systems
- Dual power capability PoE or 12VDC for flexible installation
- Local alarm inputs and outputs
- Remote Zoom & Focus adjustment by web browser

Dimensions



Specifications

CAMERA	
Camera Type	2MP Full HD Network Outdoor IR Bullet Network Camera
Pickup Device	1/3" Progressive Scan CMOS
Pixel Effective	1920 x 1080
Sensitivity	0.4 Lux/F=1.2 (IR Off)/0 Lux (IR On)
Day & Night	True Day/Night with IR cut filter
Electronic Shutter	Rolling
Lens	Vari-Focal Lens (2.8~10mm/F=1.2) w/stepping motor
Video Output	Yes
IR Distance	60m
IR Wavelength	850nm
VIDEO STREAMING	
Video Compression	H.264/MJPEG
Video Resolution	Max. 1920 x 1080
Frame Rate	30fps@1920 x 1080p
AUDIO	
Audio I/O	1/1
Operation Mode	Two-way audio
NETWORK	
Interface	10Base-T/100Base-TX auto-negotiation, RJ-45 socket ; Support MDI/MDI-X auto crossover function
Supported Protocols	HTTP, TCP/IP, UDP, RTP, RTSP, FTP, SMTP, DHCP, DNS, DDNS, NTP, uPnP, PSIA, ONVIF
TERMINAL I/O	
RS-485	Yes
Alarm Input/Output	1/1
EVENT MANAGEMENT	
Event Triggered by	Alarm input, Manual trigger, Motion detection
Notification	Trigger alarm output, Send mail notification, Upload video to FTP, Record video to SD card, Send HTTP notification and Network alarm
LOCAL STORAGE	
SD Card	SD/SDHC memory card slot (card is not included)
POWER	
Power Supply	12VDC
Power Consumption	12 max. (12VDC, IR LED/ON)
PHYSICAL	
Weight	1.15kg/2.53lbs
Dimension (W x D x H)	88mm x 235.3mm x 174.2mm/3.46" x 9.26" x 6.86"
ENVIRONMENTAL	
Operation Temperature	-40°C~50°C/-40°F~122°F (20%~80% humidity)
OTHERS	
Weatherproof Ratings	IP66
Vandal Resistant	Yes
Certificates	CE, FCC

EAN3200

2 Megapixel, H.264, Full HD Network Box Camera

NEW

neVIO HD
Series



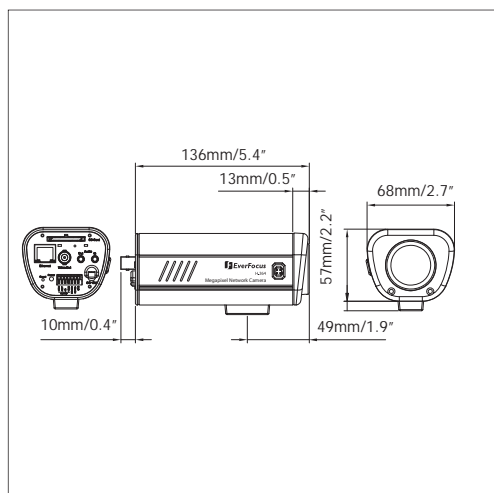
PSIA & ONVIF
Compliant



Features

- 1/3" 1080p/720p HD colour CMOS image sensor delivers HDTV video quality in 16:9 aspect ratio
- Supports both H.264 and Motion JPEG in full 30 fps frame rate.
- High Performance Noise Filter improves image quality and conserves disk storage
- Provides NTSC/PAL TV signal output for local aim and focus or display on an analog monitor.
- Dual Codec for H.264 and MJPEG allows choice of stream formats to fit the application
- Built-in slot for an SDHC card enables local event or backup recording in the event of network interruptions
- Provides true day/night functionality with automatic IR filter operation
- Two Way Audio transport (line level input/output)
- ONVIF / PSIA compliance interoperates with a broad range of systems
- Dual power capability PoE or 12VDC for flexible installation
- Local alarm inputs and outputs

Dimensions



Specifications

CAMERA	
Camera Type	Indoor, traditional style megapixel network camera
Pickup Device	1/3" Full HD progressive scan CMOS sensor
Lens Type	Optional C/CS mount, manual / DD control support
Sensitivity	0.5Lux / F=1.2
Day/Night	True Day/Night with IR cut filter
Electronic Shutter Speed	1/10000 s to 1/7.5 s
SENSE-UP	OFF/x2/x4
Auto Gain Control	OFF/Low/Middle/High selectable
White Balance mode	Auto, Custom
Noise Filter	Auto/Low/High
Other settings	Brightness, Contrast, Saturation, Sharpness, Hue, Auto Exposure, Backlight Compensation, Mirror, Flip, Day/Night, Anti-Flicker
Video Output	BNC socket, composite 1 Vp-p / 75Ω in local test mode only
VIDEO STREAMING	
Video Compression	H.264/M-JPEG
Video Resolution	1920x1080 to 160x120
Video Quality	VBR: 5 level adjustable, CBR: 30Kbps~6Mbps
Frame Rate	All resolutions @ 25/30fps
AUDIO	
Audio Compression	G.726 ADPCM 8 kHz
Audio Input	1 Vrms ; 3.5mm phone jack; Mono
Audio Output	1 Vrms ; 3.5mm phone jack; Mono
Operation Mode	Two-way audio
NETWORK	
Interface	10Base-T/100Base-TX auto-negotiation, RJ-45 socket, Support MDI/MDI-X auto
Supported Protocols	HTTP, TCP/IP, UDP, RTP, RTSP, FTP, SMTP, DHCP, DNS, DDNS, NTP, uPnP, ONVIF/PSIA
TERMINAL I/O	
Alarm Input / Output	1/1
RS485	Yes (function reserved)
EVENT MANAGEMENT	
Event Trigger	Alarm Input, Manual Trigger, Motion Detection, Schedule Recording
Notifications	Trigger alarm output, Send mail notification, Upload video to FTP, Record video to PC, Record to SD card and Network alarm
LOCAL STORAGE	
Pre-and Post-alarm buffer	Up to 120 sec.
SD Card	Secure Disk physical layer specification version 2.0 Supports SDHC Host Specification
POWER	
Power Supply	12 VDC & PoE
Power over Ethernet	Yes (PoE 802.3af)
Power Consumption	4 W max. (12VDC)
PHYSICAL	
Weight	550g / 1.102 lbs.
Dimension	68 (W) x 57 (H) x 135 (D) mm / 2.72" (W) x 2.28" (H) x 5.4" (D)
ENVIRONMENTAL	
Operating Temp.	0°C ~ 40°C / 32°F ~ 104°F
Humidity	< 90% not condensing

* Models vary in different countries. Please visit EverFocus regional websites for detailed ordering information
* Lens models and availability vary in different regions

* All product specifications are subject to change without notice

EAN900

1.3 Megapixel, H.264, Box Network Camera



Software Partners:

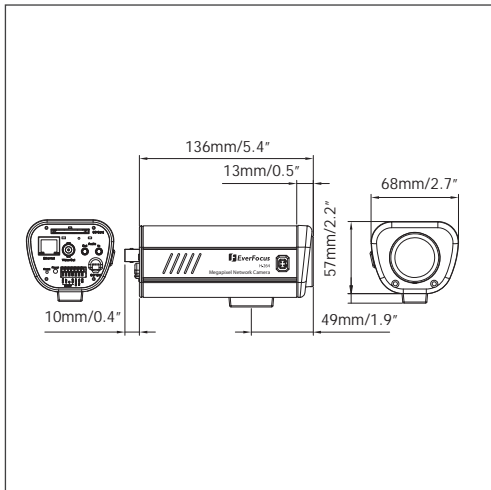


Nevio Series IP Cameras

Features

- 1.3 Megapixel, 1/3" progressive scan CMOS sensor with high sensitivity
- Built-in H.264, MPEG-4 and MJPEG digital signal output at 1280x1024 image size with up to 15fps
- H.264/MPEG4/MJPEG multi stream output for simultaneous live monitoring and high resolution recording
- Power over Ethernet (PoE) IEEE 802.3af
- True Day/Night function with removable IR cut filter User-friendly Smart Event Wizard for Event/Schedule/Alarm recording to PC or SD Card
- Triggered Alarm when motion is detected
- Email notification or FTP video upload upon motion detection and alarm
- Built-in SD memory card slot for local storage and support SDHC

Dimensions



Specifications

CAMERA	
Pickup Device	1/3" Progressive scan CMOS 1.3 Megapixel
Picture Elements	1280 x 1024
Sensitivity	0.5 Lux/F=1.2
Day & Night	True Day/Night with ICR module
Lens Type	Optional C/CS mount, manual/DD control supported
Video Output	BNC socket, composite 1Vp-p/75Ω
VIDEO STREAMING	
Compression Format	H.264/MPEG-4/M-JPEG
Max. Video Resolution	1280 x 1024
Video Quality	8 levels adjustable
Frame Rate	Up to 15fps in 1280x1024
AUDIO	
Microphone	Built-in *
Operation Mode	Two-way audio
NETWORK	
Interface	10Base-T/100Base-TX auto-negotiation, RJ-45 socket
Supported Protocols	Support MDI/MDI-X auto crossover function HTTP, TCP / IP, UDP, RTP, RTSP, FTP, SMTP, DHCP, DNS, DDNS, NTP
Bandwidth Control	Min. 64 kbps adjustable
Max. Client Limit	32 simultaneous clients
TERMINAL I/O	
Alarm Input/Output	1/1
RS-485	RS-485 interface half-duplex
EVENT MANAGEMENT	
Event Trigger	Alarm input, Manual trigger, Motion detection and Schedule recording
Notification	Trigger alarm output, Send mail notification, Upload video to FTP, Record video to SD card, Record video to PC and Network alarm
Pre-and Post-alarm Buffer	48MB RAM reserved for pre-alarm record up to 120 sec.
LOCAL STORAGE	
SD Card	Secure Disk physical layer specification version 2.0 Support SDHC Host Specification
POWER	
Power Source	12VDC & PoE
Power over Ethernet	Yes (PoE 802.3af 48VDC)
Power Consumption	4.5W max. (12VDC)
PHYSICAL	
Weight	550g/1.102LBS
Dimensions (W x H x D)	68 x 57 x 136mm /2.7" x 2.2" x 5.4" with BNC socket: 68 x 57 x 146mm /2.7" x 2.2" x 5.7"
ENVIRONMENTAL	
Operating Temperature	0°C~40°C/32°F~104°F
Humidity	< 90% not condensing
Certificates	CE, FCC, UL

EDN850H

560TVL, IP66, True Day/Night, Outdoor Network Dome Camera



neVio
Series



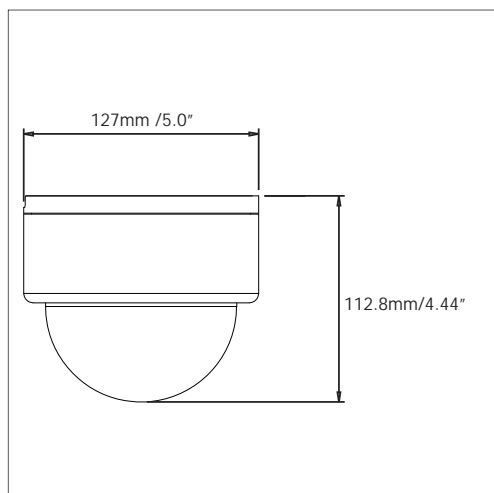
Software Partners:



Features

- Multi stream output at 4 CIF resolution @ 30fps
- H.264/MPEG4/MJPEG multi stream output for simultaneous live monitoring and high resolution recording
- True Day/Night function with ICR module
- Built-in DNR (Dynamic Noise Reduction) for noise reduction and a 70% saving of Disk storage
- The starlight Super-high sensitivity of 0.002 Lux/ F=1.2 is achieved by setting
- SENS-UP Slow Shutter 128x max.
- Built-in Vari-Focal lens
- Power over Ethernet (PoE) IEEE 802.3af
- Support MDI/MDI-X auto crossover
- Smart Wizard settings for varied Event and schedule recording
- Built-in SD memory card slot for local storage and support SDHC
- Two-way Audio
- Easy wall or ceiling installation
- Vandal Resistant & Weatherproof IP66 rating

Dimensions



Specifications

CAMERA	
Pickup Device	1/3" Sony Super HAD Interlaced CCD
Picture Elements	NTSC: 768 x 494 ; PAL: 752 x 582
Sensitivity	0.002 Lux (SENS-UP 128x) ; 0.25 Lux/F=1.2
Day & Night	Yes (with IR cut filter)
Lens Type	Vari-Focal Lens with Auto Iris (2.8~10mm)
Video Output	BNC socket, composite 1Vp-p/75Ω
Video Output Resolution	560TVL
VIDEO STREAMING	
Compression Format	H.264/MPEG-4/M-JPEG
Max. Video Resolution	4CIF, VGA, CIF, QVGA, QCIF
Video Quality	8 levels adjustable
Frame Rate	Up to 30fps
AUDIO	
Audio Input	3.5mm stereo socket, sensitivity 1 Vrms
Audio Output	3.5mm stereo socket, sensitivity 1 Vrms
Compression	Method IMA ADPCM (Pulse Code Modulation)
Operation	Mode Two-way audio
NETWORK	
Interface	10Base-T/100Base-TX auto-negotiation, RJ-45 socket
Support	MDI/MDI-X auto crossover function
Supported Protocols	HTTP, TCP / IP, UDP, RTP, RTSP, FTP, SMTP, DHCP, DNS, DDNS, NTP
Bandwidth Control	Min. 64 kbps adjustable
Max. Client	Limit 32 simultaneous clients
TERMINAL I/O	
Alarm Input	1 x input for dry contacts, Normal Open/Normal Closed adjustable
Alarm Output	1 x dry relay contact, Normal Open/Normal Closed adjustable, 70 VDC/200 mA max
EVENT MANAGEMENT	
Event Trigger by	Alarm input, Manual trigger, Motion detection and Schedule recording
Notification	Trigger alarm output, Send mail notification, Upload video to FTP, Record video to SD card, Record video to PC and Network alarm
Pre-and Post-alarm Buffer	48MB RAM reserved for pre-alarm record up to 120 sec
LOCAL STORAGE	
SD Card	Secure Disk physical layer specification version 2.0 Supports SDHC Host Specification
POWER	
Power Source	12VDC & PoE
PoE	Yes (PoE 802.3af)
Power Consumption	5W max. (12VDC)
OTHER	
Weatherproof Ratings	IP66
Certificates	CE, FCC

* Models vary in different countries. Please visit EverFocus regional websites for detailed ordering information
* Lens models and availability vary in different regions

* All product specifications are subject to change without notice

EDN800

520TVL, True Day/Night, Vandalproof, Network Dome Camera



Software Partners:

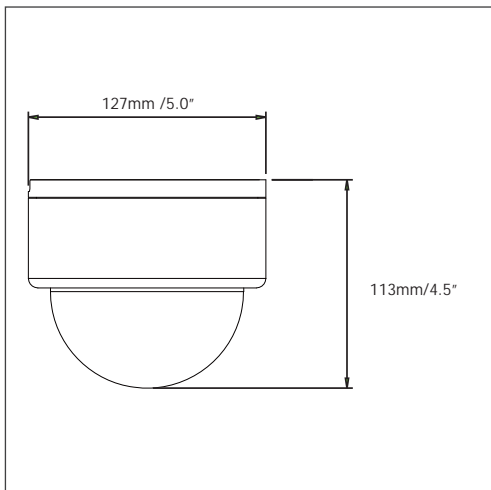


Nevio Series IP Cameras

Features

- Built-in H.264, MPEG-4 and MJPEG digital signal output at 4CIF image size with up to 30fps
- H.264/MPEG4/MJPEG multi stream output for simultaneous live monitoring and high resolution recording
- Support 4 independent video streams that can provide different compression formats and resolutions
- The high sensitivity of 0.4Lux/F=1.2 is achieved by using the advanced 1/3" Sony Super HAD CCD
- Built-in Vari=focal Lens
- Power over Ethernet (PoE) IEEE 802.3af
- Support MDI/MDI-X auto crossover function
- Bandwidth control: 64k/128k/256k/1m/2m/4m/8m bps and unlimited
- Built-in network interface (10Base-T/100Base-TX) for remote monitoring by PC
- Smart Wizard settings for various event and schedule recording conditions
- Built-in SD memory card slot for local storage and support SD High Capacity (SDHC)
- Built-in digital motion detection

Dimensions



Specifications

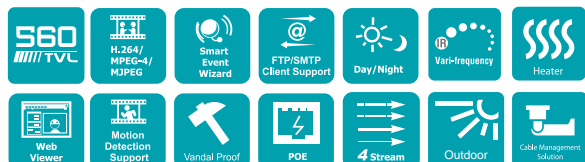
CAMERA	
Pickup Device	1/3" Sony Super HAD CCD
Picture Elements	NTSC: 768 x 494 ; PAL: 752 x 582
Sensitivity	0.4 Lux/F=1.2
Day & Night	Yes
Lens Type	Vari-Focal Lens (3.7~12mm)
Video Output	BNC socket, composite 1 Vp-p/75Ω
Video Output Resolution	520TVL
VIDEO STREAMING	
Compression Format	H.264/MPEG-4/M-JPEG
Max. Video Resolution	4CIF, VGAL, CIF, QVGA, QCIF
Video Quality	8 levels adjustable
Frame Rate	Up to 30fps
NETWORK	
Interface	10Base-T/100Base-TX auto-negotiation, RJ-45 socket Support MDI/MDI-X auto crossover function
Supported Protocols	HTTP, TCP / IP, UDP, RTP, RTSP, FTP, SMTP, DHCP, DNS, DDNS, NTP
Bandwidth Control	Min. 64 kbps adjustable
Max. Client	32 simultaneous clients
TERMINAL I/O	
Alarm Input/Output	1x1
EVENT MANAGEMENT	
Event Trigger	Alarm input, manual trigger, Motion detection and Schedule recording
Notification	Trigger alarm output, Send mail notification, Upload, Video to FTP, Record video to SD card, Record video to PC and Network alarm
Pre-and Post-alarm Buffer	48MB RAM reserved for pre-alarm record up to 120 sec.
LOCAL STORAGE	
SD Card	Secure Disk physical layer specification version 2.0 Supports SDHC Host Specification
POWER	
Power Source	12 VDC & PoE
Power over Ethernet	Yes (PoE 802.3af)
Power Consumption	5W max. (12VDC)
PHYSICAL	
Weight	550g/1.213 lbs.
Dimensions (O.D x H)	127 x 113mm/5.0" x 4.5"
ENVIRONMENTAL	
Operating Temperature	0°C~40°C/32°F~104°
Humidity	<90%, not condensing
Vandal Resistant	Yes
Certificates	CE, FCC, UL

EZN850

560TVL, True Day/Night, Weatherproof, IR Network Bullet Camera



nevio Series



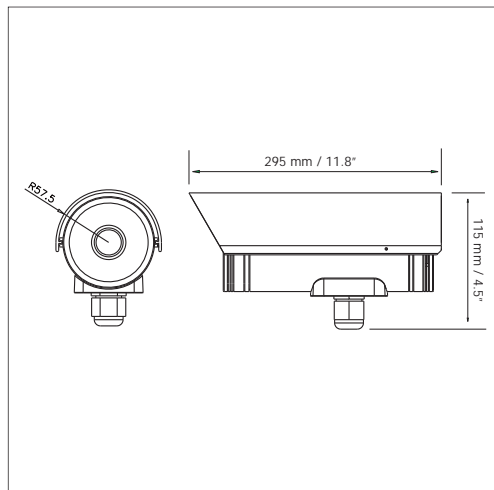
Software Partners:



Features

- Built-in H.264, MPEG-4 and MJPEG multi stream outputs at 4CIF image size with up to 30 fps
- SENS-UP shutter technology 128x
- Support 4 independent video streams that can provide different compression formats and resolutions for simultaneous live monitoring and high resolution recording
- Built-in external adjuster control for 6~50mm auto iris lens (zoom and focus). Lens control is available through web browser
- True Day/Night function with removable IR cut filter
- IR distance up to 50 meters (about 164ft.) with Vari-Frequency IR control
- Smart Wizard settings for various event management and schedule recording
- Built-in SD memory card slot for local storage and support SD High Capacity
- Motion detection and privacy area function
- Vandal proof and IP66 weatherproof

Dimensions



Specifications

CAMERA	
Pickup Device	1/3" Sony Super HAD CCD
Picture Elements	NTSC: 768 x 494 ; PAL: 752 x 582
Sensitivity	0.002 Lux/F=1.2 (IR Off, SENS-UP 128x) ; 0 Lux (IR On)
Day & Night	True Day/Night with removable IR cut filter
Lens Type	Vari-focal 6~50mm lens (9x optical zoom)
Video Output	BNC socket, composite 1Vp-p/75Ω
Video Output Resolution	560TVL
IR Distance	50m/164 feet
IR Wavelength	850nm
IR LED Lifespan	20,000 hours
VIDEO STREAMING	
Video Compression	H.264/MPEG-4/M-JPEG
Video Resolution	4CIF, VGA, QVGA, QCIF
Video Quality	8 level adjustable
Frame Rate	Up to 30fps
NETWORK	
Interface	10Base-T/100Base-TX auto-negotiation, RJ-45 socket Support MDI/MDI-X auto crossover function
Supported Protocols	HTTP, TCP / IP, UDP, RTP, RTSP, FTP, SMTP, FHCP, DNS, DDNS, NTP
Bandwidth Control	Min. 64 kbps adjustable
Max. Client	32 simultaneous clients
TERMINAL I/O	
RS-485	RS-485 interface half-duplex
Alarm Input/Output	1 x 1
Power Output	DC12V for external IR illuminator
EVENT MANAGEMENT	
Event Trigger	Alarm input, Manual trigger, Motion detection and Schedule recording
LOCAL STORAGE	
SD Card	Secure Disk physical layer specification version 2.0 Supports SDHC Host Specification
POWER	
Power Source	2 types: 24VAC ; 100~240VCA
Power	24VAC: 28W max. (Heater/ON & IR LED/ON) ;
Consumption	100VAC~240VAC: 8W max. (Heater/ON & IR LED/ON)
PHYSICAL	
Weight	2.5kg/5.5lbs (3.0kg/6.6lbs with bracket)
Dimensions (W x H)	295 x 115 mm/11.8" x 4.5"
ENVIRONMENTAL	
Operating Temperature	-40°C~-50°C/-40°F~-122°F
Humidity	<90%, not condensing
Heater	Yes
Weatherproof Ratings	IP66
Vandal Resistant	Yes
Certificates	CE, FCC, UL

* Models vary in different countries. Please visit EverFocus regional websites for detailed ordering information
* Lens models and availability vary in different regions

* All product specifications are subject to change without notice

EAN850A

560TVL, Super Low Lux Network Camera



Software Partners:

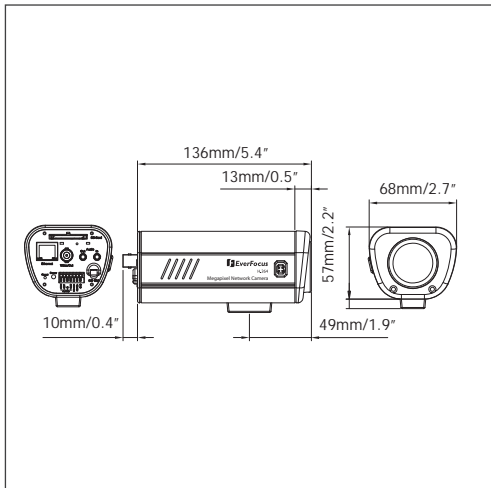


Nevio Series IP Cameras

Features

- Built-in H.264, MPEG-4 and MJPEG digital signal output at 4CIF image size with up to 30fps
- H.264/MPEG4/MJEG multi stream output for simultaneous live monitoring and high resolution recording
- Support 4 independent video streams that can provide different compression formats and resolutions
- Power over Ethernet (PoE) IEEE 802.3af
- Built-in DNR (Dynamic Noise Reduction) for noise reduction and a 70% saving of Disk storage
- The starlight Super-high sensitivity of 0.002 Lux/F=1.2 is achieved by setting SENS-UP Shutter X128
- Bandwidth control: 64k/128k/256k/1M/2M/4M/8M bps and unlimited
- Built-in network interface (10Base-T/100Base-TX) for remote monitoring by PC
- Support MDI/MDI-X auto crossover function
- Smart Wizard settings for varied Event and schedule recording conditions
- Built-in SD memory card slot for local storage and support SD High Capacity
- Two way audio

Dimensions



Specifications

CAMERA	
Pickup Device	1/3" Sony Super HAD Interlaced CCD
Picture Elements	NTSC: 768 x 494/PAL: 752 x 582
Sensitivity	0.002 Lux (SENS-UP X128) ; 0.25 Lux/F=1.2
Day & Night	True Day/Night with ICR module
Lens Type	Optional C/CS mount, manual/DD control supported
Video Output	BNC socket, composite 1 Vp-p/75Ω
Video Output Resolution	560TVL
VIDEO STREAMING	
Compression Format	H.264/MPEG-4/M-JPEG
Max. Video Resolution	4CIF, VGA, CIF, QVGA, QCIF
Video Quality	8 level adjustable
Frame Rate	Up to 30fps
AUDIO	
Microphone	Built-in
Operation Mode	Two-way audio
EVENT MANAGEMENT	
Event Trigger	Alarm input, Manual trigger, Motion detection and Schedule recording
Notification	Trigger alarm output, Send mail notification, Upload video to FTP, Record video to SD card, Record video to PC and Network alarm
Pre-and Post-alarm Buffer	48MB RAM reserved for pre-alarm to 120 sec.
NETWORK	
Interface	10Base-T/100Base-TX auto-negotiation, Rj-45 socket Support MDI/MEI-X auto crossover function
Supported Protocols	HTTP, TCP/IP, UDP, RTP, RTSP, FTP, SMTP, DHCP, DNS, DDNS, NTP
Bandwidth Control	Min. 64 k Byte/sec adjustable
Max. Client Limit	32 simultaneous clients
TERMINAL I/O	
Alarm Input/Output	1/1
RS-485	RS-485 interface half-duplex
LOCAL STORAGE	
SD Card	Secure Disk physical layer specification version 2.0 Supports SDHC Host Specification
POWER	
Power Source	12 VDC & PoE
PoE	Yes (PoE 802.3af 48VDC)
Power Consumption	5W max. (12VDC)
PHYSICAL	
Weight	500g/1.102 LBS
Dimensions (W x H x D)	68 x 57 x 136mm/2.7" x 2.2" x 5.4" with BNC socket: 68 x 57 x 146mm/2.7" x 2.2" x 5.7"
ENVIRONMENTAL	
Operating Temperature	0°C~40°C/32~°F~104°F
Humidity	< 90% not condensing
Certificates	CE, FCC, UL

EAN800A/EAN800AW

520TVL, H.264, True Day/Night Advanced Network Camera



Software Partners:

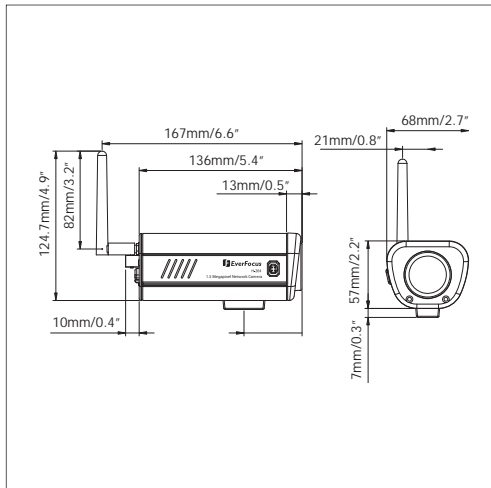


Nevio Series IP Cameras

Features

- Built-in H.264, MPEG-4 and MJPEG digital signal output with up to 30 EPS at 4CIF (704 x 480)
- Support H.264/MPEG4/MJPEG triple stream for simultaneous live, monitoring and high resolution recording
- Power over Ethernet (PoE) IEEE 802.3AF.
- Support MDI/MDI-X auto crossover function
- Equipped with Smart Event Wizard for Motion Detection, Schedule, and Alarm recording to PC or SD Card
- Email notification or FTP video upload upon motion detection and alarm
- Built-in SD memory card slot for local storage and support SD High Capacity
- Manage AGC, BLC, FL, ES, H-Mirror, IRIS Level and Day/Night via web browser
- Two way audio
- Built-in IEEE 802.11b/g for wireless module (EAN800AW)

Dimensions



Specifications

CAMERA	
Pickup Device	1/3" Sony Super HAD Interlaced CCD
Picture Elements	NTSC: 768 x 494/PAL: 752 x 582
Sensitivity	0.4Lux/F=1.2
Day & Night	Yes
Lens Type	Optional C/CS mount, manual/DD control supported
Video Output	BNC socket, composite 1Vp-p/75Ω
Video Output Resolution	520TVL
VIDEO STREAMING	
Compression Format	H.264/MPEG-4/M-JPEG
Max. Video Resolution	4CIF, VGA, CIF, QVGA, QCIF
Video Quality	8 levels (adjustable)
Frame Rate	Up to 30fps
AUDIO	
Microphone	Built-in*
Operation Mode	Two-way audio
NETWORK	
Interface	10Base-TX auto-negotiation, RJ-45 socket Support MDI/MDI-X auto crossover function
Supported Protocols	Built-in IEEE 802.11b/g WLAN (EAN800AW) HTTP, TCP/IP, UDP, RTP, RTSP, FTP, SMTp, DHCP, DNS, DDNS, NTP
Bandwidth Control	Min. 64 kbps adjustable
Max. Client Limit	32 clients simultaneously (max).
TERMINAL I/O	
Alarm Input/Output	1/1
RS-485	Rs-485 interface half-duplex
EVENT MANAGEMENT	
Event Trigger	Alarm Input, Manual Trigger, Motion Detection and Schedule Recording
Notification	Trigger alarm output, Send mail notification, Upload video to FTP, Record video to SD card, Record video to PC and Network alarm
Pre-and Post-alarm Buffer	48MB RAM reserved for pre-alarm record up to 120 sec.
LOCAL STORAGE	
SD Card	Secure Disk physical layer specification version 2.0 Supports SDHC Host Specification
POWER	
Power Source	12VDC & PoE
PoE	Yes (PoE 802.3af 48 VDC)
Power Consumption	EAN800A: 5W max. (12VDC) EAN800AW: 6.5W max. (12VDC)
PHYSICAL	
Weight	550g/1.102 lbs.
Dimensions (W x H x D)	68 x 57 x 136mm 2.7" x 2.2" x 5.4" with BNC socket: 68 x 57 x 146mm/2.7" x 2.2" x 5.7" with Antenna: 68 x 125 x 167mm/2.7" x 4.9" x 6.6"
ENVIRONMENTAL	
Operating Temperature	0°C~40°C/32°F~104°F
Humidity	< 90% not condensing
Certificates	CE, FCC, UL

* Models vary in different countries. Please visit EverFocus regional websites for detailed ordering information
 * Lens models and availability vary in different regions

* All product specifications are subject to change without notice

EPN IP Speed Dome Series

520TVL/530TVL, 30x/36x Optical Zoom, Auto Tracking, High Speed Pan & Tilt, Network Speed Dome Camera

nevio
Series

520/530
TVL

30x/36x
Optical Zoom

AWB
Yes

Indoor

Outdoor

Auto Flip

IP66
Weatherproof

BLC
Yes

DNR
Yes

WDR

Internal Cable
(Easy Installation)

H.264/MPEG-4/
MJPEG

Auto Tracking

3 Streams

ES
1/50(1/60)~
1/120,000

Day/Night

AI
Auto Iris

AGC
Yes

Cooling Fan

Slow Shutter



Outdoor



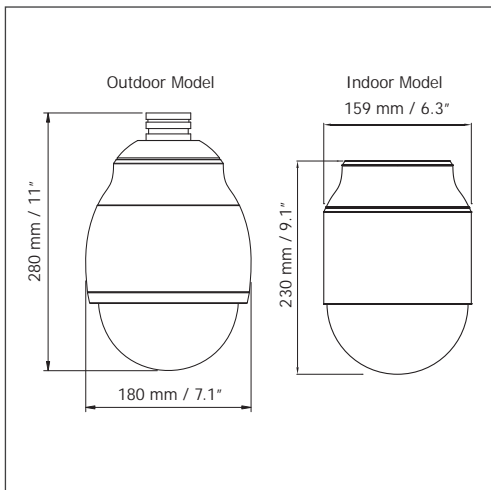
Indoor

Nevio Series IP PTZ Cameras

Features

- Support smart auto tracking functions
- Built-in H.264/MPEG-4/MJPEG digital signal output at 4 CIF image size with up to 30fps
- H.264/MPEG-4/MJPEG multi stream output for simultaneous live monitoring and high resolution recording
- Support 3 independent video streams that can provide different compression formats and resolutions
- Support MDI/MDI-X auto crossover function
- Bandwidth control: 64k/128k/256k/1M/2M/4M/8M bps and unlimited
- Built-in network interface (10Base-T/100Base-TX) for remote monitoring by PC
- Smart Wizard settings for various event and schedule recording conditions
- One-click easy installation
- Built-in 30x/36x optical AF zoom camera
- True Day/Night function with removable IR cut filter
- Low luminance for better image quality at night
- Smart alarm reaction & resume after alarm
- Enhanced auto-resume & power-up function
- Digital Flip function

Dimensions



Specifications

Product Model	EPN3100 (Outdoor)	EPN3100i (Indoor)	EPN3600 (Outdoor)	EPN3600i (Indoor)
CAMERA				
Pickup Device	1/4" Sony CCD		1/4" Sony Ex-View HAD CCD	
Video Format	NTSC/PAL			
Scanning System	NTSC: 525TVL, 60 fields/sec ; PAL: 625TVL, 50 fields/sec.			
Picture Elements	NTSC: 768 x 494 ; PAL: 752 x 582			
Horizontal Resolution	520TVL		530TVL	
Min. Illumination	Normal: 0.4 Lux/F1.6 Night Mode: 0.08 Lux/F1.6 (ICR ON)		Normal: 1.4 Lux/1/60(1/50)sec Night Mode: 0.01 Lux/1/4 (1/3)sec (ICR ON)	
S/N Ratio (AGC OFF)	50dB		50dB	
Electronic Shutter	128x~1/60 (1/50)~ 1/120,000 (s) (NTSC)		1~ 1/10,000 (s)	
Digital Slow Shutter	128x		60x (50x for PAL)	
Shutter Selection	AUTO ; A.FLK ; Manual 128x~1/60 (1/50)~1/120,000 selectable		AUTO ; A.FLK ; Manual 1~1/10,000 selectable	
Lens Type	30x optical zoom, f=3.3mm (wide)~99mm (tele), F1.6~F3.2		36x optical zoom, f=3.4mm (wide)~122.4mm (tele), F1.6~F4.5	
Zoom Ratio	240x max (30x Optical and 8x Digital zoom)		432x max (36x Optical and 12x Digital zoom)	
VIDEO				
Picture Compression	H.264/MPEG-4/M-JPEG			
Picture Resolution	4CIF, VGA, CIF, QVGA, QCIF NTSC: 720 x 480, 640 x 480, 352 x 40, 320 x 240, 176 x 144 ; PAL: 720 x 576, 640 x 480, 352 x 288, 352 x 288, 176 x 144			
Streaming Frame Rate	1~30 IPS (NTSC), 1~25 IPS (PAL) adjustable			
Focus Control	One Push/Auto/Manual			
Iris Control	Auto/Manual			
True Day & Night	Yes (Auto/DAY/NIGHT)			
Certificates	CE, FCC, UL			

Software Partners:

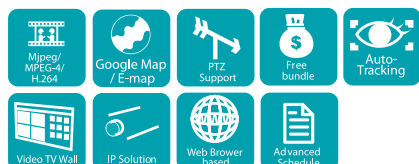


ENVR-F16S/F32S

EverFocus Integrated Network Managing & Recording Solution

Embedded with all EverFocus IP & DVR series!

NEW



NVR Software

Overview

- Support Everfocus full series IP devices (video server, IP camera, IP speed dome) and DVR
- Support Mega-Pixel camera
- Support MJPEG, MPEG-4 and H.264
- Open standard IP camera protocol PSIA and ONVIF
- Max. 256 Client Access
- Web browser based
- Support Window XP, Window Vista and Window 7
- Support OS: Microsoft Windows XP Professional SP2 and Microsoft Windows Vista SP2
- Support web browser: Internet Explorer 6, Internet Explorer 7 and Internet Explorer 8
- Support multiple HDD/Partition storage
- Device management–Auto discovery support (uPnP, ZeroConf)
- Flexible live view control–Streaming: HTTP push+RTSP
- Standards-based, open-architecture technology, running on non-proprietary hardware Integration
- User, device, event setting and emergency contact lists support sort ascending and descending

Live Video View

- Support 16ch devices live view
- User selectable system predefined split screen modes: 1, 2x2, 1+5, 3+4, 1+7, 3x3, 2+8, 4x4, 1+21, 5x5, 6x6, sequence 12, sequence 20 (ENVR-F32S)
- User selectable system predefined split screen modes: 1, 2x2, 1+5, 3+4, 1+7, 3x3, 2+8, 4x4, sequence 13 (ENVR-F16S)
- Map Layout shows the map and video of devices on the map at the same layout
- Configurable view layout and display presets for custom split screens with assigned channels
- Device tree and layout view tree with filtered live videos
- PTZ control with EKB200 joystick/keyboard, including control of presets, auto-pan, patterns, tours and auto-tracking
- Device drag and drop function on layout setting
- Full screen, instant snapshot and instant recording
- Support two-way audio
- Support remote viewing
- Video title bar and device tree with instant device status icon show device recording, motion and event

*Performance varies depending on equipments used and subject to actual test result.

Live Monitor and Virtual Matrix

- Multi-monitor support video virtual matrix via display terminal setting
- Unlimited number of display terminal
- Multiple monitors to display separate live video
- View real-time alarms and alarm history
- Click real-time alarms list show recording playback
- Click IP device to show live view

Accounts

- Basic user profile with login, password and contact details
- Unlimited number of user accounts
- Support user authentication and permission
- Support user grouping. One user can be assigned to one group and inherit the privileges of the group
- User privileges can be restricted by device, E-map and virtually any function
- Forgot password protection

E-Map

- Google map support (Geographic map)
- Unlimited number of E-map
- Drag and drop DVR and IP devices
- Child-map region and Home
- Camera direction, shoot angle and shoot distance configuration
- Bring out Max. 7 x live view with adjustable window size
- Max. 4 map Level (including google map)

Events and Event Handler

- Event logging within the database
- Support for automatic execution of actions in response to events
- Configurable device triggers-digital input, motion etc
- Configurable pre-alarm, post-alarm and retrigger interval
- Play sound and trigger output
- Events can be sent to multiple recipients
- Flexible emergency contacts setting in charge of multiple devices
- Send E-mail notification with snapshot
- Send snapshot to FTP server
- PTZ Automation: configure actions execution upon events

* Models vary in different countries. Please visit EverFocus regional websites for detailed ordering information

* All product specifications are subject to change without notice

ENVR-F16S/F32S

EverFocus Integrated Network Managing & Recording Solution

Embedded with all EverFocus IP & DVR series!

NEW



NVR Software

Schedule

- Recording by daily, weekly, special date
- Express schedule, apply to date and schedule copy
- Support multiple recording modes: manual, continues, motion-based and event-based
- Recording, Tour, Alert trigger and Motion Scheduling
- Advanced schedule setting with 10 types of days and 10 timezones per day

Playback and Search

- Max. 32 channel concurrent video and audio playback Support synchronized playback
- Searching can be queried based on channel ; date/time ; event type and navigation search
- Several playback speeds in fast forward and fast reverse playback
- The graphic time-bar provides a visual indication of the current frame's time and position
- The graphic time-bar provides video jump-to-time navigation capabilities
- Support video archive

PTZ Control Panel

- Basic PTZ, Iris and Focus function
- Navigation and Click-and-Go
- Pattern/Tour/Auto Pan/Preset
- Auto-tracking/Tour-and-Tracking/AutoPan-and-Tracking

Maintenance

- Support database backup and restore
- Scheduling remote replication by date, week and month

Log Information

- Support system log searching by time and log type
- Show system Information

Minimum System requirements

- Intel **Pentium4 531 3.0 GHz**, **1 MB** Cache, **800 MHz** FSB
- **1.0 GB** of RAM
- Graphics card with **256 MB** memory or better
- 10 GB of free hard disk space or more
- 1024 x 768 or higher screen resolution
- 10/100/1000 Ethernet Network adapter

Recommended System requirements

a) When more than **4** DVRs or IP devices are enabled in live view and playback mode together, it is recommended that the client PC meets below system requirements for optimal performance.

- Intel **Core2 Duo E7400 2.8 GHz** or higher, **3 MB** Cache, **1066 MHz** FSB
- **2.0 GB** of RAM
- Graphics card with **512 MB** memory or better
- 10 GB of free hard disk space or more
- 1024 x 768 or higher screen resolution
- 10/100/1000 Ethernet Network adapter

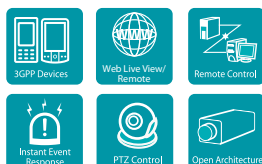
b) When more than **16** DVRs or IP devices are enabled in live view and playback mode together, it is recommended that the client PC meets below system requirements for optimal performance.

- Intel **Core2 Quad Q9400 2.66 GHz** or higher, **6 MB** Cache, **1333 MHz** FSB
- **4.0 GB** of RAM
- Graphics card with **1 GB** memory or better
- 10 GB of free hard disk space or more
- 1024 x 768 or higher screen resolution
- 10/100/1000 Ethernet Network adapter

*Performance varies depending on equipments used and subject to actual test result.

NVR Software

NVR Surveillance Management Software



Features

- Support EverFocus NeVio series IP cameras, megapixel cameras, 3rd party video encoders/IP cameras and more
- Accepts MPEG4/MJPEG/H.264 video formats
- Remote PTZ operation and supports PTZ reaction presets
- Multiple monitor display with up to 64 cameras in Live View and up to 16 cameras in Playback View
- Local view with 1 or (optional) 2 monitors for Live View plus (optional) 1 monitor dedicated for simultaneous Playback View
- Remote Live View with 1 or (optional) 2 monitors (or 1 monitor for Playback View only)
- Smart detection of many types of camera, input, POS and system events, with 10 potential instant alarm responses (example, email alert and E-map popup)
- Complete I/O device integration
- Intelligent playback system with 5 video analytic searches
- Remote client live viewer, playback, backup, I/O control and remote desktop operation
- Joystick support on PTZ cameras and software enabled digital PTZ function are both available
- Preset points and patrol functions are also available on many camera models
- User friendly graphical user interface (GUI) with camera drag and drop for setup and recording, familiar to all users with basic PC knowledge
- Audio and video recording synchronization
- Watermark capability
- Resource Management tool can monitor system resources and trigger instant alarm notifications
- DDNS functionality
- 3 GPP/PDA/Mobile Handy Viewer support
- Remote I/O control
- Video enhancement tools to fine tune the image's visibility, sharpness, brightness, contrast or even grey scale
- Export to AVI or ASF file format
- Take a snapshot of the recording in BMP or JPEG format to print or file
- Back up video images to USB drives, CD/DVD or hard disk drives
- Schedule recording can be set by day, week or repeating interval
- Intelligent Search recognizes 5 different special events (general motion, missing object, foreign object, camera occlusion and signal lost) in recorded files, in addition to searches by date, time and log file
- Counting application with direction for certain objects or areas
- Bit rate display for overall usage and per camera stream helps manage bandwidth utilization
- Unusual events are recorded to the system log, and counting application results can be exported to an Excel or text for analysis

*Performance varies depending on equipments used and subject to actual test result.

Specifications

IP Camera Inputs*	Up to 64 (depending on licenses purchased) *Models vary. Contact EverFocus for exact list of supported models
IP Cameras Supported	EverFocus NeVio and other IP cameras in addition to 3rd party video encoders and IP cameras
Digital PTZ	Supported in live view and playback
Multiple View	Zoom function preserves live view by duplicating the same video feed onto multiple channels in different areas
Triple Monitor	Up to 64 live camera views each on two monitors in addition to displaying playback video on a separate monitor
Audio Recording	Synchronized with video on each channel
Screen Layout	Single, 6,10 &13 plus NxN up to 64 cameras (16 on playback)
Compression Format	H.264/MPEG4/M-JPEG SUPPORTED
Recording Type	Continuous, digital input trigger, on motion detection, on event manual and per schedule
Playback Channels	Up to 16 channels max. displayed
Playback Control	Forward/reverse step and play fast (to 16x) and slow (to 1/16x)
Auto Overwrite	Oldest recordings recycled when disk is full
Additional I/O Functions	Optional expansion module
POP Input	Optional POS interface serial data to Ethernet
Supported Language	Chinese (Simplified & Traditional), Czech, Danish, English, Farsi, Finnish, French, German, Greek, Hebrew, Hungarian, Italian, Japanese, Korean, Portuguese (Brazil), Portuguese (Portugal), Russian, Slovak, Spanish

EVS200A/EVS200AW

2 Channels H.264 Video Encoder



Software Partners:



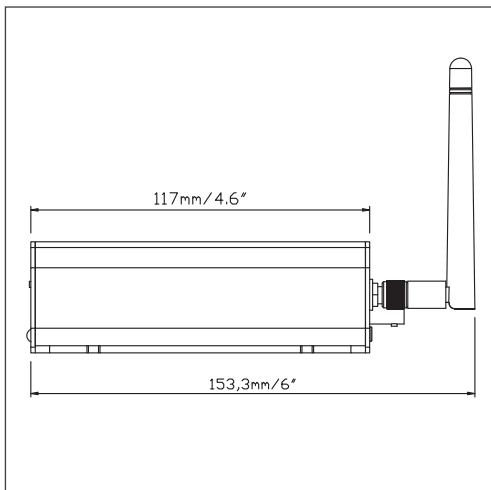
Features

- High quality H.264, MPEG-4 and MJPEG multi stream output at 4CIF resolution @60fps
- H.264/MPEG4/MJPEG dual stream output per channel for simultaneous live monitoring and high resolution recording
- Smart wizard settings for varied event and schedule recording
- Support PTZ control
- Built-in SD memory card slot for local storage and support SDHC
- Two-way audio
- Power over Ethernet (PoE) IEEE 802.3af.
- Ultra-compact size for space-saving applications

Specifications

Specifications	
Video Compression	H.264/MPEG-4/M-JPEG
Video Resolution	4CIF, VGA, CIF, QVGA, QCIF
Video Quality	8 levels adjustable
Frame Rate	Up to 30fps
Video Source	2 BNC composite, 1Vp-p/75ohm NTSC/PAL auto-sense
AUDIO	
Compression Method	IMA ADPCM (Pulse Code Modulation)
Operation Mode	2 way audio
NETWORK	
Interface	10Base-T/100Base-TX auto-negotiation, RJ-45 socket Support MDI/MDI-X auto crossover function
Supported Protocols	HTTP, TCP/IP, UDP, RTP, RTSP, FTP, SMTP, DHCP, DNS, DDNS, NTP
Bandwidth Control	Min. 64 kbps adjustable,
Max. Client Limit	32 simultaneous clients
WIRELESS (EVS200AW)	
Standard	IEEE 802.11b/g
Antenna Gain	2 dBi
TERMINAL I/O	
Alarm I/O	2/2
Serial Connector	RS485
EVENT MANAGEMENT	
Event Triggered	Alarm input, Manual trigger, Motion detection and Schedule recording
Notification	Trigger alarm output, Send mail notification, Upload video to FTP, Record video to SD card, Record video to PC and Network alarm
Pre-and Post-Alarm Buffer	48MB RAM reserved for pre-alarm record up to 120 sec
LOCAL STORAGE	
SD Card	Secure Disk physical layer specification version 2.0 Supports SDHC Host Specification
POWER	
Power Supply	12 VDC
Power over Ethernet	Yes (PoE 802.3af)
Power Consumption	4.5w max. (12VDC)
Certificates	CE, FCC

Dimensions



ERS-4

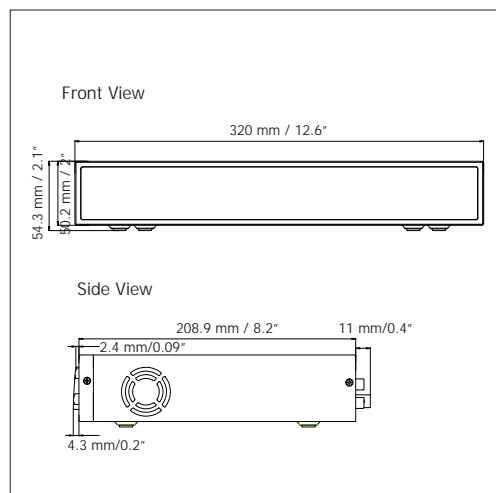
4 Channels H.264 Video Server with Recording Capability



Features

- H.264 Compression technology
- Real-time recording and streaming at 2CIF resolution for all cameras and total 50 IPS (PAL)/60 IPS (NTSC) under D1 resolution
- Dual stream for 3GPP mobile phones
- Integrated free EverFocus DDNS service, no DDNS setup PC required
- Bidirectional audio channel with recording
- Support 1 internal 3.5" SATA HDD
- Express Setup-configuration of major parameters on a single menu page
- Complete setup can be accomplished via network
- Easy remote IP configuration with EverFocus IP Utility tool
- Alternative setup option with local monitor and USB mouse
- RS-485 interface for PTZ control
- 4 alarm inputs, 1 alarm output relay
- Local monitor output for live view (full screen, 4x screen, sequence) and setup

Dimensions



Specifications

PHYSICAL	
Recording Rate/Resolution	352 x 288: 100 IPS PAL/120 IPS NTSC 704 x 288: 100 IPS PAL/120 IPS NTSC 704 x 576: 50 IPS PAL/60 IPS NTSC
Playback and Streaming Rate/Resolution	352 x 288: up to 100 IPS PAL/120 IPS NTSC 704 x 288: up to 100 IPS PAL/120 IPS NTSC 704 x 576: up to 50 IPS PAL/60 IPS NTSC depending on network conditions
Video Input	4 x 1 Vpp FBAS, BNC, 75ohm termination
Monitor Output	1 x 1 Vpp FBAS, BNC at 75 Ohm 1 x VGA (resolution 800x600@60 Hz)
Audio Input/Output	Input: 1 x Line In, 1V max. /1Kohm, RCA socket Output: 1 x Line Out 1V max. 1Kohm, RCA socket
Alarm In	4 x N.O./N.C., screw terminal connector
Alarm Out	1 x relay out N.O./N.C., screw terminal connector
RS-485	1x, screw terminal connector
Network Interface	100 BASE-T, 8P8C/RJ45 socket
USB	1x USB 2.0 on Back Panel (for USB-Mouse) 1x USB 2.0 on Front Panel (for service purpose)
Status LED	Power, Alarm, HDD activity, Network traffic
Clock	Internal Real Time Clock, NTP synchronisation option
Power Source	12VDC with external power supply 100~240 VAC ; 50/60 Hz
Dimensions (W x D x H)	320 x 208.9 x 54.3 mm/12.6" x 8.2" x 2.1"
Temperature	0°C~40°C/32°F~104°F (20~80% humidity)
FUNCTIONAL	
OS	Embedded Linux
Video Compression	H.264
User Interface	GUI (Graphical User Interface)
Operation	Simultaneous network live/playback operation and local recording
Recording Mode	Manual, Schedule and Event
Playback Search	By Date/Time or Event
Video Pause	Yes
Video Loss Detection	Yes
Motion Detection	Yes
Event Log	Yes
Schedule Setting	Support Express and Advanced Schedule Setting
User Access	3 Levels of User Access Support
PTZ Protocols	EverFocus, Pelco-D, Pelco-P, Samsung EI., Transparent
Certificates	CE, FCC

* Models vary in different countries. Please visit EverFocus regional websites for detailed ordering information
* Lens models and availability vary in different regions

* All product specifications are subject to change without notice

NVR Pro

Professional Network Video Recorder Server

NEW



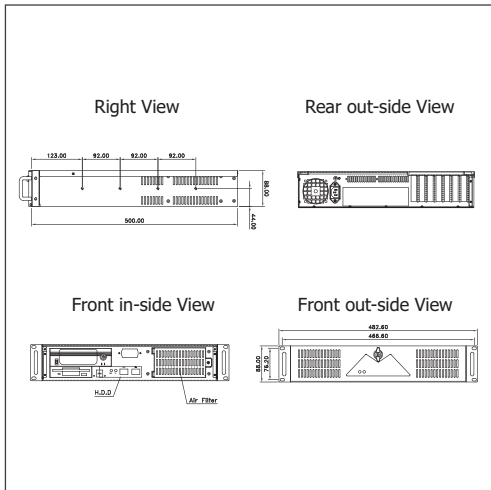
Features

- Support ENVR-F16S, ECMS-DVR, PowerCon 4 series and NVR Software
- Industrial grade NVR designed
- Gigabit LAN
- Dual-monitor support with one VGA, one DVI-I, one D-SUB and one HDMI port
- HDA with two-way audio
- 4 x USB2.0, 1 x RS232
- Internal 5 x 3.5" SATA HDD with RAID 0, RAID 1, RAID 0+1 and RAID 5
- 2U Height Rackmount Chassis
- Windows XP embedded
- 3-years warranty

Specifications

Video Compression	H.264, MPEG4, MJPEG
Supported Number of Channels	64 channels
Storage Capacity	10TB
Ethernet	Two Gigabit Ethernet
Display	1x VGA port 1x DVI-I / 1x D-SUB / 1x HDMI port
USB	4* USB2.0
Serial Port	1* RS232
Audio	HDA with Mic-in/Line in/Line out port
Storage	Internal 3.5" *5pcs
Power Input	AC110V~264V
Chassis Construction	Heavy duty metal
Indicators	Power, HDD, LAN
OS	Windows XP embedded
Operating Temperature	0°C to 45°C (10%~90% humidity)
Storage Temperature	-20°C to 70°C (5%~95% humidity)
Dimension (DxWxH)	483x88x501 (mm)
Colour	Black
Weight	12.0kg / 26.5 lbs
Mounting	Rack mount
EMC/Safety	FCC class B, CE

Dimensions





Accessories

EKB500

Multi-Function Control Keyboard



- RS232**
Yes
- RS485**
Yes
- DVR**
Device Control
- PTZ**
Device Control
- ACS**
Device Control
- Cascade**
Up to 8 Keyboards
- LCD Display**
20x2 characters

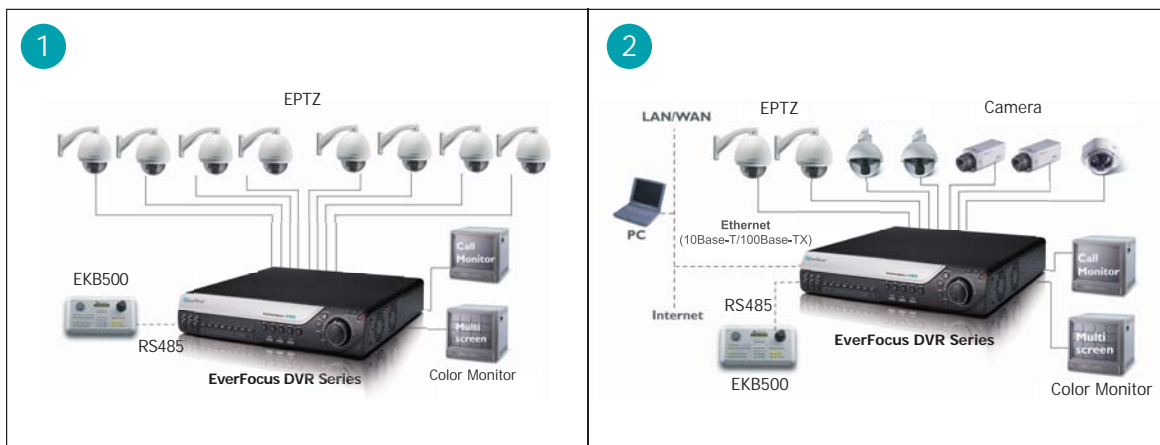
Features

- Capable of controlling speed dome cameras, DVRs, and monitors
- Centralized control of up to 999 cameras from a single controller
- Password protected to prevent unauthorized users
- 3-D Joystick for PTZ control functions and Jog Shuttle for DVR control
- Two independent communication prots with selectble baud rate and protocol
- Customized, upgradeable firmware for specific applications
- Auto tracking by external signal processor unit
- Preset position and pattern control ; full programmable preset tour
- Matrix control (EverFocus DVR series products)

Specifications

Power Source	12VDC
Power Consumption	10W
Device Control	PTZ Speed Domes, DVRs and Monitors
Protocols	Pelco-D, Pelco-P, EverFocus Enhanced Protocols
Remote Control	RS-232/RS-485
Baud Rate	1200-38400 dps
LCD Display	20 x 2 Characters
Integration	Up to 8 keyboard cascading connection
Auto Surveillance	Position, Tour, Auto Pan
Wiring Box	Yes
Dimensions (L x W x H)	Approx. 356 x 203 x 108mm/14" x 8" x 4.25"
Weight	Approx. 1.5kg/3.3lb

System Examples



EKB200

USB Control Keyboard with 3-Axis

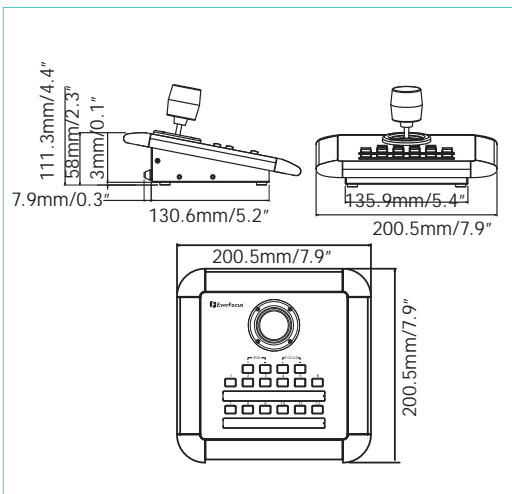


- USB Interface
Plug & Play
USB Power
- 3-Axis Joystick
PTZ Control
- HID
Standard
HID Class
- 4 PTZ Keys
Iris +/-
Focus +/-
- 12 Free Keys
Programmable
Switches
- JoyMap
Keymapper
Software

Features

- "Plug and play" USB interface
- 3-axis joystick for PTZ control function
- Support standard HID class device with high compatibility
- Industrial ID design
- Long working life of industrial grade 3-axis joystick
- 4 pre-defined PTZ function keys: Iris+/-, Focus+/-
- 12 free assignable function keys
- Panel mount kit available
- No external power supply required
- Suitable for right or left-handed users
- Dedicated EverFocus JoyMap keymapper software for standard Windows operation
- Support standard HID class device, easy for 3rd party integration
- Supported by EverFocus PowerCon central management software for easy PTZ operation

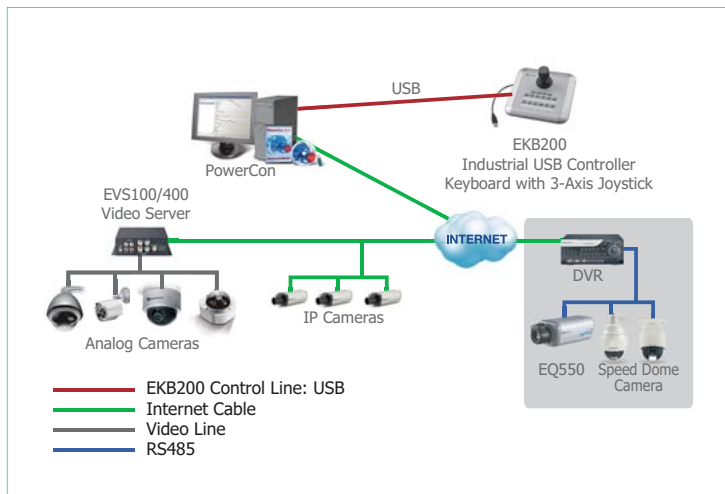
Dimensions



Specifications

Interface	USB 1.1
PTZ Function Key	4 keys, Iris+, Iris-, Focus+, Focus-
Assignable key	12 keys
Default Protocol	USB HID class
Keymapper Support	EverFocus JoyMap
USB Cable (Length)	1.8m/6ft
USB Cable (Colour)	Black
Dimension (W x D x H)	200.5 x 200.5 x 111.3mm/7.9" x 7.9" x 4.4" (with Joystick)
Weight	800g/1.94 lbs
Operating Temperature	0°C~50°C/32°F~122°F
Mounting Method	Desktop, Panel
Power Source	USB Bus Power
Power Consumption	80mA max.
Certification	CE, FCC class A

System Examples



EDA450

EverFocus SATA Bay Storage Expansion



Features

- 1U 19" form factor
- Supports SATA I and SATA II hard drive, with up to 2TB per hard drive
- Power and each HDD status LED
- Configure as individual SATA drive
- Four 3.5" drive bays
- SATA II compliant, 1.5 Gb/s and 3 Gb/s
- Platform independent—works with Windows or Linux computers with compatible SATA controller

Specifications

Form Factor	1U 19"
HDD Bays	4 x 3.5"
Maximum Capacity	8TB
Host Interface & Transfer Rate	eSATA (3Gb/s)
Drive Interface	SATA I & SATA II
Cooling Fan	x2
Power Supply	150W x 1 (AC100~240V)
Status Indicators	4 LEDs for HDD, Power LED
Dimensions (W x D x H)	19" x 15" x 1.7"
Weight	12 lbs
Certifications	CE, FCC

EPR110

EverFocus Hard Drive Reader



Features

Operations	1/4/9/16 multi-channel playback
	Playback forward/backward at 0.1~16x speed
	Audio playback for 1~60FPS recordings (MPEG4 4CH/8CH/16CH will not support audio function)
	Pause
	Step forward/backward
Search	Jump to beginning or end of a segment
	Search video by segment list, date/time and alarm list
	Slide bar to move video pointer
	Display current video date/time
	Save still image to BMP or JPEG file
Archive	Print still image
	Save video to Motion JPEG AVI file up to 4GB
	Save disk raw data into proprietary file
	Save meta-data to text or binary file
	Length limitation depends on various PC hardware, disk and OS configurations

Specifications

Supported Products	Paragon and Paragon264 Series DVRs
Light Indication	2 LEDs for power and disk activity
Lock	HDD tray lock
Power Switch	Power On/Off
Interface Connector	USB type B connector
Power Connector	6 pin 5V/12VDC
Operations	1, 4, 6, 9, or 16 multi-channel playback Playback forward/backward at 0.1~16x speed ; Pause ; Step forward/backward ; Jump to beginning or end of entire drive
Search	Search video by segment list, date/time, alarm list Slide bar to move video pointer, display current video date/time
Archive	Save still image to BMP or JPEG file, save video to AVI file, save disk raw data into proprietary file, save meta-data to text or binary file
Power Consumption	1.5 amp
Dimension (L x W x H)	276.9 x 154.9 x 45.7 mm/10.9" x 6.1" x 1.8"
Weight	2.3 kg/5 lbs

CCTV Lens



Specifications

Auto Iris & Vari-focal Lens

Product Model	Description
EFV-2814DC	Vari-focal 2.8~12mm auto iris
EFV-358	Vari-focal 3.8~8mm auto iris
EFV-358DC	Vari-focal 3.8~8mm auto iris
EFV-416	Vari-focal 4~16mm manual iris
EFV-416DC	Vari-focal 4~16mm auto iris
EFV-550	Vari-focal 5~50mm manual iris
EFV-550DC	Vari-focal 5~50mm auto iris

Fixed Iris & Mini Board Lens

Product Model	Description
FL-2520	2.5mm Lens
FL3620	3.6mm Lens
FL-4320	4.3mm Lens
FL-6020	6mm Lens
FL-8020	8mm Lens
FL-1220	12mm Lens
FL-1620	16mm Lens

Lens Term & Features

C-mount:

Standard for CCTV lens screw mounting. It is defined with the thread of 1" (25.4mm) in diameter and 32 threads/inch, and the back flange-to CCD distance of 17.526mm (0.69") The C-mount description applies to both lenses and cameras. C-mount lenses can be put on both C-mount and CS-mount cameras, an adaptor is required for the latter version only.

CS-mount:

Newer standard for lens mounting. It uses the same physical thread as the C-mount, but the back flange-to-CCD distance is reduced to 12.5mm, in order to have the lenses made smaller, more compact and less expensive, CS-mount lenses can only be used on CS-mount cameras.

CS-to C-mount Adaptor:

An adaptor used to convert a CS-mount camera to C-mount to accommodate a C-mount lens. The EQ-120/150/250/350 Series Cameras are equipped with a wide range backfocal mechanism, the adaptor ring is not required.

DC Iris Control:

The lens iris mechanism is controlled by a DC voltage, which is generated depending on the video signal level in the camera.

Sensor Format:

Physical size of the camera CCD chip. The most common chip sizes in CCTV industry are 1/3" and 1/4" cameras, but not for 1/2" cameras.

Horizontal Field of View for 1/3" Cameras

f (mm)	Hor. angle of view (°)	Horizontal Field of View (m)			
		Object Distance (m)			
		2	5	10	20
2.8	81	3.4	8.6	17.1	34.3
3.5	69	2.7	6.9	13.7	27.4
3.6	67	2.7	6.7	13.3	26.7
4.3	58	2.2	5.6	11.2	22.3
5	51	1.9	4.8	9.6	19.2
8	33	1.2	3.0	6.0	12.0
10	27	1.0	2.4	4.8	9.6
15	18	0.6	1.6	3.2	6.4
50	5.5	0.2	0.5	1.0	1.9

* Models vary in different countries. Please visit EverFocus regional websites for detailed ordering information

* All product specifications are subject to change without notice

FH17LED/FH19LED

17", 19" Professional LED CCTV Monitors

NEW



Features:

- Longer Lifetime
- Higher Contrast and Black Level
- More Balanced Colour Saturation
- Lower Failure Rate
- Lower Temperature
- Better Operation Efficiency - 40% Less Power Consumption
- Environmental Friendly

Specifications

Model No.	FH17LED	FH19LED
Display		
Screen Size	17"	19"
Max Resolution	1280x1024	
Brightness	300cd/m ²	
Pixel Type	Active Matrix TFT	
Pixel Pitch	0.264(H) x 0.264(V)	0.294(H) x 0.294(V)
Display Colour	16.7 Million	
Backlit	LED	
Contrast Ratio	10000:1	
Aspect Ratio	4:3	
Viewing Angle (H/V)	170°/ 160°	
Response Time	5ms	
Video System	NTSC/PAL	
Interface		
Video In/Out (BNC Type)	2/2	
VGA In/Out (15Pin D-Sub)	1	
HDMI In	1	
Audio In/Out (RCA Type)	1/1	
PC Stereo In	1	
Audio		
Built In speaker	Yes (2.5W x 2)	
Special Features		
3D Comb Filter	YES	
3D De-Interlace	YES	
Multi-Language	English, German, French, Italian, Spanish, Russia, Turkish, Japanese, Polish	
Key Lock Function	Optional	
Dimension		
Net (WxHxD)	375x420x190(mm)	420x420x190(mm)
Packing(WxHxD)(1pcs/Box)	500x160x570(mm)	
Weight	N.W.: 3.17kgs G.W.: 4.7kgs	N.W.: 3.22kgs G.W.: 4.74kgs
Cabinet		
Finish/Tilt Stand	Black/Yes	
Mount		
Vesa Mounts Size	75mm/100mm compatible	
Wall	Optional	
Ceiling	Optional	
Rack	Optional	
Power		
Electrical Ratings	DC12V (AC100~240 [50 / 60])	
Consumption < On	20W Max	25W Max
Regulations	UL/CUL, FCC-DOC, CE, RoHS	

FH-7515E
FH-7517E
FH-7519E

15", 17", 19" Professional LCD CCTV Monitors



Features

- 2 x BNC Composite Video Input
- 2 x BNC Composite Video Output
- 1 x HDMI Input
- 1 x VGA Input
- 2 x Audio Input, build in speakers
- Newest 4D-Comb-Filter with De-Interlace technology for clear colour transitions and suppression of cross colours
- Integrated 3D noise reduction filter
- Easy multi-language OSD setup
- Picture size and - position setup also for all video input types
- Newest power management technology
- VESA compatible mount (75mm)

Specifications

Model	FH-7515E	FH-7517E	FH-7519E
Diagonal Size	15"	17"	19"
Active Area (mm)	304.1(H) x 228.1(V)	337.9(H) x 270.3(V)	376.3(H) x 301.06(V)
Display Resolution	1024 x 760	1280 x 1204	1280 x 1024
Pixel Pitch (mm)	0.297 x 0.297	0.264 x 0.264	0.294 x 0.294
Brightness	260 cd/m ²	300 cd/m ²	300 cd/m ²
Contrast Ratio	700:1	800:1	800:1
Response Time (Tr/Tf)	8ms	5ms	5ms
Resolution	SXGA		
System	PAL/NTSC		
Display Mode	Video1/ Video2/ PC/ HDMI		
Viewing Angle	Vertical: -80°~80°, Horizontal: -80°~80°		
Temperature	Operation: 5°C~40°C, Storage: -10°C~60°C		
Composite Input	BNC x 2, RCA x 2, VGA x 1, PC Audio x 1, HDMI x 1		
Composite Output	BNC x 2		
Voltage Input	100~240 V, 50/60 Hz		
Power Consumption	40W		
Standby Power Consumption	3.4W		
AC power	AC 100~240V, 50/60 Hz		
Dimension (W x H x D)	370 x 355 x 170mm	420 x 420 x 220mm	430 x 415 x 220mm
Net Weight	3 KG	5.5 KG	6 KG
Cerificates	FCC, CE, RoHS		

* Models vary in different countries. Please visit EverFocus regional websites for detailed ordering information

* All product specifications are subject to change without notice

FH-7522E

22" Professional Widescreen LCD CCTV Monitors

NEW



Features

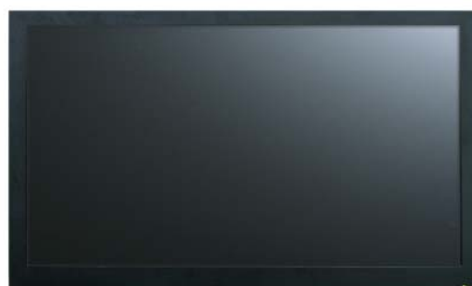
- 2 x BNC Composite Video Input
- 2 x BNC Composite Video Output
- 1 x HDMI Input
- 1 x VGA Input
- 2 x Audio Input, build in speakers
- Newest 4D-Comb-Filter with De-Interlace technology for clear colour transitions and suppression of crosscolours
- Integrated 3D noise reduction filter
- Easy multi-language OSD setup
- Picture size and - position setup also for all video input types
- Newest power management technology
- VESA compatible mount (75mm)

Specifications

Diagonal Size	22"
Active Area (mm)	437.6(H) x 296.1(V)
Display Resolution	1680 x 1050
Pixel Pitch (mm)	0.282 x 0.282
Brightness	300 cd/m ²
Contrast Ratio	1000:1
Response Time (Tr/Tf)	5 ms
Resolution	WXGA
System	PAL/NTSC
Display Mode	Video1/ Video2/ PC/ HDMI
Viewing Angle	Vertical: -80°~80°, Horizontal: -85°~85°
Temperature Operation	Operation: 5°C~40°C, Storage: -10°C~60°C
Composite Input	BNC x 2, RCA x 2, VGA x 1, PC Audio x 1, HDMI x 1
Composite Output	BNC x 2
Voltage Input	100~240 V, 50/60 Hz
Power Consumption	40W Max. in "ON" Mode
Standby Power Consumption	2.5W x 2
AC Power	AC 100~240V, 50/60 Hz
Dimension (W x H x D)	510 x 420 x 190 mm
Net Weight	7.0 kg
Certificates	FCC-DDC, UL/CUL, CE, ROHS

FH1080P42

42" Professional LCD CCTV Monitor



Features

- 42" Professional Industrial Metal Case Design
- 1920 x 1080 Full HD High Resolution
- 3D Comb Filter High Quality Motion Adaptive
- 4H Comb Filter Adaptive for Best image Quality

Specifications

Diagonal Size	42"
Active Area (mm)	930.24(H) x 523.26(V)
Display Resolution	1920 x 1080 (Full HD)
Pixel Pitch (mm)	0.4845 x 0.4845
Brightness	500 cd/m ²
Contrast Ratio	2500:1
Response Time (Tr/Tf)	6 ms
Viewing Angle	V: 178°, H: 178°
Colour Depth	16.7 M colours
System	PAL/NTSC
Display Mode	Video1/ Video2/ PC/ HDMI
Temperature	Operation: 0°C~40°C, Storage: -10°C~60°C
Humidity	10%~90%
Horizontal Frequency	60KHz~73KHz
Vertical Frequency	47Hz~63Hz
Power Consumption	240 W
Speaker	1.5 W x 2
AC Power	AC 100~240V 50/60 Hz
OSD Control	Picture Mode, Contrast, Brightness, Colour, Tint, Sharpness, Colour Temp., DNR
OSD Languages	English, German, French, Italian, Spanish, Russian, Turkish, Japanese, Polish
Remote Control	Yes
Wall Mount	Yes (Optional)
Wall Mount Size	300 x 200 mm
Dimension (W x H x D)	990 x 592 x 103 mm
Net Weight	28 KG
Accessories	Power code, Manual, VGA Cable, Remote control
Certificates	FCC, UL, CE, RoHS

* Models vary in different countries. Please visit EverFocus regional websites for detailed ordering information

* All product specifications are subject to change without notice

EN7517HDMI EN7519HDMI

17" and 19" HDMI CCTV Monitors

NEW



Features

- High Resolution LCD Monitors (over 500 TVL)
- 1280 x 1024 Resolution (SXGA) panels
- 3D Comb Filter, De-Interlace, Noise Reduction
- NTSC/PAL/SECAM Auto Detection
- Digital (HDMI) & Analog (RGB) Inputs
- Looping BNC Input
- Multi-Language OSD and Built-In Speakers
- UL Listed with FCC, CE, and CB, RoHS
- 50,000 Hour Rated Lifespan
- Black Plastic Bezel with Metal Base
- Remote Control Included
- HDMI and VGA Cables Included

Specifications

Model No.	EN7517HDMI	EN7519HDMI
Resolution	1280 x 1024 (SXGA)	1280 x 1024 (SXGA)
Screen Scale	4:3 (HD)	4:3 (HD)
Active Area (mm ²)	337.92 x 270.336	376.32 x 301.056
Viewing Lines	>500 lines (TVL)	>500 lines (TVL)
Pixel Pitch	0.264mm	0.294mm
Brightness	300 cd/m ²	300 cd/m ²
Contrast Ratio	800:1	
Response Time	5ms	
Viewing Angles	H: 170° V: 170°	
3D Comb Filter	Yes	
De-interlace	Yes	
OSD	2 out of 9 language options	
Display Colours	16.7 Million	
Speakers	2 each (3 watts)	
Video Inputs	HDMI, VGA, BNC, S-Video, RCA	
Video Outputs	BNC (1 each)	
Audio Inputs	RCA, PC	
Audio Outputs	RCA	
Mounting	75mm Vesa	
Power Input	AC100-240V, 60/50Hz	
Power Use	<45W, <2W (standby)	
Desk Stand	Removable-Metal	
Options	Rack and wall mounts	
Accessories	VGA cord, Power Cord, and HDMI Cable	
Packaging	580x515x165 (LxWxD)	518x465x165 (LxWxD)
Weight	7 kg net(9 kg in carton)	6 kg net(7.5 kg in carton)
Operating Temperature	5°C - 40°C	
Certificates	CE, FCC, CB	

EN1080P22

22" Full HD Widescreen CCTV Monitors

NEW



Features

- High Resolution LCD Monitors (over 500 TVL)
- 1920x1080 (Full HD) Resolution on K10S22
- 1366x768 (720P) Resolution on K10S19
- 3D Comb Filter, De-Interlace, Noise Reduction
- NTSC/PAL Auto Detection
- Looping BNC Input
- Multi-Language OSD and Built-In Speakers
- Digital (HDMI) & Analog (RGB) Inputs
- CE Listed with FCC, and CB, RoHS
- 50,000 Hour Rated Lifespan
- Black Plastic Bezel with Removable Base
- HDMI and VGA Cables Included

Specifications

Resolution	1920x1080
Screen Scale	16:9 (HD)
Active Area (mm ²)	476.64x268.11
Viewing Lines	>500 lines (TVL)
Pixel Pitch	0.264mm
Brightness	300cd/m ²
Contrast Ratio	1000:1
Response Time	5 ms
Viewing Angles	H: 170° V: 160°
3D Comb Filter	Yes
De-interlace	Yes
OSD	2 out of 6 language options
Display Colours	16.7 Million
Speakers	2 each (3 watts)
Video Inputs	HDMI, VGA, BNC Looping, RCA
Video Outputs	BNC (1 each)
Audio Inputs	RCA, PC
Mounting	75mm Vesa
Power Input	AC100-240V, 60/50Hz
Power Use	<45W, <2W (standby)
Desk Stand	Removable-Plastic
Options	Rack and Wall Mounts
Accessories	VGA Cord, Power Cord, and HDMI Cable
Packaging	581x115x405 (LxDxW)
Weight	4.5 kg net(5.5 kg in carton)
Operating Temperature	5°C - 40°C
Certificates	CE, FCC, CB

* Models vary in different countries. Please visit EverFocus regional websites for detailed ordering information

* All product specifications are subject to change without notice

EN768P26/EN768P32/EN1080P42

26"/ 32"/ 42" Full HD Widescreen CCTV Monitor



Features

- High Resolution (over 500 TVL)
- 1920x1080 (Full HD) Resolution (SVD420)
- 1366x768 (720P) Resolution (SVD260 & SVD320)
- 3D Comb Filter, De-Interlace, Noise Reduction
- NTSC/PAL Auto Detection
- 2 Looping BNC Inputs
- Multi-Language OSD and Built-In Speakers
- Digital (HDMI) & Analog (RGB) Inputs
- Super Slim Design
- FCC, CE, and RoHs
- 50,000 Hour Rated Lifespan
- Metal Case
- Remote Control Included

Specifications

Model No.	EN768P26	EN768P32	EN1080P42
Size	26"	32"	42"
Resolution	1366x768	1366x768	1920x1080
Colours	16.7M	16.7M	16.7M
Viewing Angle	H: 170° V: 160°	H: 170° V: 170°	H: 170° V: 170°
Viewing Lines	600 TVL	600 TVL	600 TVL
Contrast Ratio	1000:1	1000:1	1000:1
Response Time	8ms	8ms	6ms
3D Comb Filter	Yes	Yes	Yes
3D Noise Reduction	Yes	Yes	Yes
Brightness	450cd/m ²	450cd/m ²	550cd/m ²
PIP / POP	Yes	Yes	Yes
Speakers	2 each (5 watts)	2 each (5 watts)	2 each (8 watts)
Composite Inputs	BNC x 2, VGA, S-video x 1, HDMI x 1		
Composite Outputs	BNC x 2		
Audio	Input and Output		
Auto Adjustment	Yes		
Wall Hanging	VESA Standard		
OSD Language	English, Spanish, French, German, Italian, and Simplified Chinese		
Power Use	<120W AC100V~240V	<180W AC100V~240V	<220W AC100V~240V
OSD Control	Yes	Yes	Yes
Remote Control	Yes	Yes	Yes
Accessories	Power Supply, VGA Cable, Remote Control, User's Guide, and Audio Cable		
Operating Temperature	5°C - 40°C		
Certificates	FCC-DOC, CE, RoHS		

EN200/EN220

5.6" Colour TFT LCD Test Monitor & Server Kit



EN200 Features

- 5.6" LCD CCTV monitor
- Small & compact for portability
- Audio & Video Inputs
- Built in speaker & Earphone Output
- Input voltage 9-20VDC
- 12VDC adaptor included

EN220 Features

- 5.6" LCD CCTV Test monitor
- Small & compact for portability
- Full colour LCD to check for Audio & Video signal
- Built in speaker & Earphone Output
- Rechargeable batteries & service Leads included
- DC adaptor & Rechargeable adaptor included
- Supplied in a portable zip bag with strap
- Input voltage 9-20VDC

Specifications

Screen Size (H x V)	5.6"/116 x 87 mm
Active Area (H x V)	111.36mm x 83.52mm
Pixel Type	A-Si Active Matrix TFT
Screen Colour	Full colour
Dot Matrix (H x V)	320 x 240 RGB
Dot Pitch	0.116 x 0.348
Contrast Ratio	85:1
Brightness	270 cd/m2
Sound Input	200mW (built-in 4cm speaker)
Terminal Input	Power, Video & Audio Input
Video Input	0.75 Vp-p~1Vp-p, 3.5 pin
Audio Input	50mV min., Stereo In, 3.5 pin
Stereo Output	Ear phone, 3.5 pin
Screen Display	Reverse/normal switchable (R->N)
Power Consumption	12VDC, 600mA (8W max.)
Power Source	9VDC~20VDC, 2.0 pin
Dimensions (W x H x D)	162 x 133 x 54 mm/6.4" x 5.2" x 2.1"
Operating Temperature	0°C - 60°C/32°F - 140°F

Mounting Brackets



BA01 BA10 BA11 BA-EHD BA-ED

Specifications

Dome Brackets

Product Model	Description
BA-ED	Plastic "L" style mounting bracket for ED series mini domes. 146.7 x 121 x 66mm/5.75" x 4.75" x 2.6" (L x W x H)
BA-EHD	Aluminum "L" style mounting bracket for EHD series vandal Domes. 169 x 146 x 110 mm/6.7" x 5.7" x 4.3" (L x W x H)
BA-EDMS	Aluminum "L" style mounting bracket for ED550, ED560, EDN800. 169 x 146 x 110 mm/6.7" x 5.7" x 4.3" (L x W x H)
BA10	Ceiling mount bracket for EPD200 (624mm/24.6" long)
BA11	Ceiling mount bracket for EPD200 (300mm/12" long)

Box Camera Brackets

Product Model	Description
BA-01	Mounting bracket. Aluminum. Max. load: 3 kg/6.6 lbs 57 x 165 mm/2.2" x 6.5" (W x H)
BA-03	Mounting bracket. Plastic. Max load: 35kg/7.7 lbs 80 x 160 mm/3.1" x 6.3" (W x H)
BA-05	Mounting bracket. Aluminum. Max. Load: 10kg/22 lbs 84 x 294 mm/3.3" x 11.6" (W x H)

Camera Housing



Specifications

Product Model	Description
FH-7153	Outdoor camera housing with top cover and lock. Aluminum. 352 x 113 x 106mm/13.9" x 4.5" x 4.2" (L x W x H)
FH-7153H	Outdoor camera housing with top cover, lock and heater. 24VAC, 17W power consumption. Aluminum. 352 x 113 x 106mm/13.9" x 4.5" x 4.2" (L x W x H)
FH-7153HB	Outdoor camera housing with top cover, lock, heater and blower. 24VAC, 18.7W power consumption. Aluminum. 373 x 140 x 115mm/14.7" x 5.5" x 4.5" (L x W x H)

* Models vary in different countries. Please visit EverFocus regional websites for detailed ordering information

* All product specifications are subject to change without notice

EIR20/50

20m/50m IR Illuminator



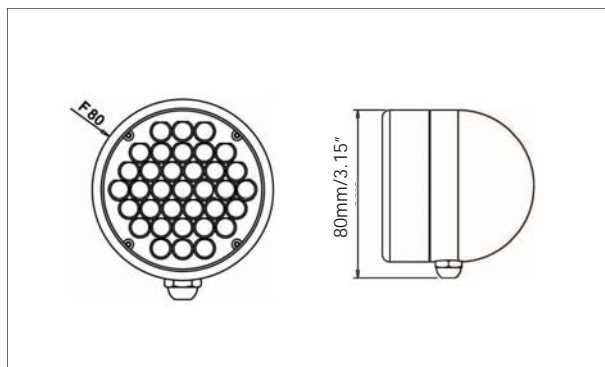
Features

- Up to 50m/164ft. of IR range (EIR50)
- Up to 20m/66ft. of IR range (EIR20)
- Compact size for discreet surveillance
- Compact Standalone design for flexible application
- Up to 20,000 hours of LED lifespan
- Improve image quality in complete darkness and/or in low-light conditions
- Built-in sensor will automatically turn on illuminator at night and off during the daytime
- Weatherproof design and IP66 rated

Specifications

Model No.	EIR50	EIR20
IR Distance	50m/164ft.	20m/66ft.
IR Wavelength	850nm	
IR LED Lifespan	Up to 20,000 hours	
Power Source	12VDC	
Power Consumption	6W max.	
Dimensions (D x H)	80mm x 88.5mm/3.15" x 3.48" (w/out basket) 80mm x 148mm/3.6" x 5.83" (with bracket)	
Weight	0.33kg/0.73 lbs (with bracket)	
Operating Temperature	-10°C~50°C/140°F~122°F (20%~80% humidity)	
Weatherproof Ratings	IP66	

Dimensions



EIR100

70m IR Illuminator for use w/EZ550



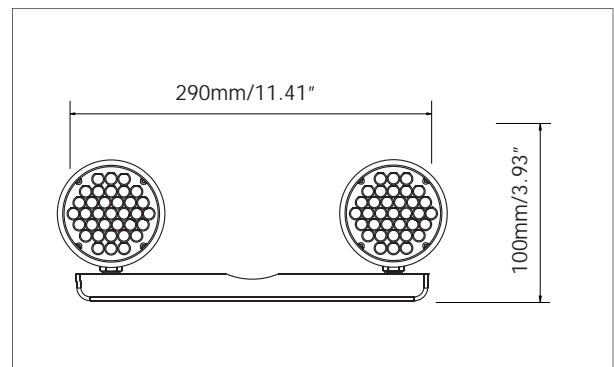
Features

- Up to 70m/230ft. of IR range
- Up to 20,000 hours of LED lifespan
- Improve image quality in complete darkness and/or in low-light conditions
- Built-in with EZ550, will automatically turn on illuminator at night and off during the daytime
- Weatherproof design and IP66 rated
- Designed to enhance low light performance for EZ550 only

Specifications


IR Distance	70m/230ft.
IR Wavelength	850nm
IR LED Lifespan	Up to 20,000 hours
Power Source	12VDC
Power Consumption	12W max.
Dimensions (LxWxH)	200mm x 290mm x 100mm/7.87" x 11.41" x 3.93"
Weight	0.76kg/1.67lbs
Operating Temperature	-10°C~50°C/140°F~122°F (20%~80% humidity)
Weatherproof Ratings	IP66

Dimensions




INFRA RED FIXED ANGLE LED ILLUMINATION c/w integrated Photocell

LOW VOLTAGE INTEGRATED INFRA RED ILLUMINATION


	IR 30i/120	IR 30 120 degree, fixed panel 850nm IR Illuminator Integrated Photo cell 12Vdc/24Vac input up to 10m
---	------------	--

VARI FOCAL INFRA RED DUAL PANEL LED ILLUMINATION LAMPS (850nm) complete with PSU


LONG DISTANCE IR ILLUMINATION

	IR750/50180	IR 750 50-180 degree triple panel vari-focal 850nm IR Illuminator c/w Ext Boxed PSU 230Vac input wide angle/ ultra long distance up to 150m
	IR 500/1020	IR 500, 10-20 degree dual panel vari-focal 850nm IR Illuminator c/w Ext Boxed PSU 230Vac input ultra long distance up to 250m


MEDIUM TO LONG DISTANCE IR ILLUMINATION

	IR 500/2060	IR 500 20-60 degree dual panel vari-focal 850nm IR Illuminator c/w Ext Boxed PSU 230Vac input up to 160m
	IR 500/50100	IR 500 50-100 degree dual panel vari-focal 850nm IR Illuminator c/w Ext Boxed PSU 230Vac input up to 110m
	IR 500/120180	IR 500 120-180 degree dual panel vari-focal 850nm IR Illuminator c/w Ext Boxed PSU 230Vac input up to 60m

MEDIUM DISTANCE IR ILLUMINATION

	IR 300/2060	IR 300 20-60 degree dual panel vari-focal 850nm IR Illuminator c/w Ext Boxed PSU 230Vac input up to 80m
	IR 300/50100	IR 300 50-100 degree dual panel vari-focal 850nm IR Illuminator c/w Ext Boxed PSU 230Vac input up to 50m
	IR 300/120180	IR 300 120-180 degree dual panel vari-focal 850nm IR Illuminator c/w Ext Boxed PSU 230Vac input up to 30m


SHORT TO MEDIUM DISTANCE IR ILLUMINATION

	IR 100/2060	IR 100 20-60 degree dual panel vari-focal 850nm IR Illuminator c/w Ext Boxed PSU 230Vac input up to 40m
	IR 100/50100	IR 100 50-100 degree dual panel vari-focal 850nm IR Illuminator c/w Ext Boxed PSU 230Vac input up to 25m
	IR 100/120180	IR 100 120-180 degree dual panel vari-focal 850nm IR Illuminator c/w Ext Boxed PSU 230Vac input up to 15m


* Models vary in different countries. Please visit EverFocus regional websites for detailed ordering information

* All product specifications are subject to change without notice


INFRA RED FIXED ANGLE LED ILLUMINATION (850nm)

	IR 50/30	IR 50 30 degree fixed panel 850nm IR Illuminator c/w Ext Boxed Power supply 230Vac input
	IR 50/50	IR 50 50 degree fixed panel 850nm IR Illuminator c/w Ext Boxed Power supply 230Vac input
	IR 50/120	IR 50 120 degree fixed panel 850nm IR Illuminator c/w Ext Boxed Power supply 230Vac input



INFRA RED FIXED ANGLE LED ILLUMINATION POE (850nm)

	IR 50/30-POE	IR 50 30 degree fixed panel 850nm IR Illuminator POE input
	IR 50/50-POE	IR 50 50 degree fixed panel 850nm IR Illuminator POE input
	IR 50/120-POE	IR 50 120 degree fixed panel 850nm IR Illuminator POE input
* Please note all IR50 POE Lamps are INTERNAL ONLY		


FIXED PANEL INFRA RED LED ILLUMINATION LAMPS (940nm)

	IR 50/30-940	IR 50 30 degree fixed panel 940nm IR Illuminator c/w Ext Boxed Power supply 230Vac input
	IR 50/50-940	IR 50 50 degree fixed panel 940nm IR Illuminator c/w Ext Boxed Power supply 230Vac input
	IR 50/120-940	IR 50 120 degree fixed panel 940nm IR Illuminator c/w Ext Boxed Power supply 230Vac input

VARI FOCAL INFRA RED DUAL PANEL LED ILLUMINATION LAMPS (940nm)

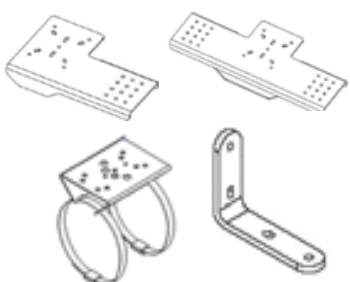
 	IR 100/2060-940	IR 100 20-60 degree dual panel vari-focal 940nm IR Illuminator c/w Ext Boxed PSU 230Vac input
	IR 100/50100-940	IR 100 50-100 degree dual panel vari-focal 940nm IR Illuminator c/w Ext Boxed PSU 230Vac input
	IR 100/120180-940	IR 100 120-180 degree dual panel vari-focal 940nm IR Illuminator c/w Ext Boxed PSU 230Vac input
	IR 300/2060-940	IR 300 20-60 degree dual panel vari-focal 940nm IR Illuminator c/w Ext Boxed PSU 230Vac input
	IR 300/50100-940	IR 300 50-100 degree dual panel vari-focal 940nm IR Illuminator c/w Ext Boxed PSU 230Vac input
	IR 300/120180-940	IR 300 120-180 degree dual panel vari-focal 940nm IR Illuminator c/w Ext Boxed PSU 230Vac input
	IR 500/2060-940	IR 500 20-60 degree dual panel vari-focal 940nm IR Illuminator c/w Ext Boxed PSU 230Vac input
	IR 500/50100-940	IR 500 50-100 degree dual panel vari-focal 940nm IR Illuminator c/w Ext Boxed PSU 230Vac input
IR 500/120180-940	IR 500 120-180 degree dual panel vari-focal 940nm IR Illuminator c/w Ext Boxed PSU 230Vac input	

WHITE LIGHT LED LAMPS INCLUDING PSU's

	WL50/30	WL 50 30 degree fixed panel White light LED Illuminator c/w Ext Boxed Power supply 230Vac input
	WL50/50	WL 50 50 degree fixed panel White light LED Illuminator c/w Ext Boxed Power supply 230Vac input
	WL 50/120	WL 50 120 degree fixed panel White light LED Illuminator c/w Ext Boxed Power supply 230Vac input
	WL100/2060	WL 100 20-60 degree dual panel vari-focal White light LED Illuminator c/w Ext Boxed PSU 230Vac input
	WL100/50100	WL 100 50-100 degree dual panel vari-focal White light LED Illuminator c/w Ext Boxed PSU 230Vac input
	WL100/120180	WL 100 120-180 degree dual panel vari-focal White light LED Illuminator c/w Ext Boxed PSU 230Vac input
	WL300/2060	WL 300 20-60 degree dual panel vari-focal White light LED Illuminator c/w Ext Boxed PSU 230Vac input
	WL300/50100	WL 300 50-100 degree dual panel vari-focal White light LED Illuminator c/w Ext Boxed PSU 230Vac input
	WL300/120180	WL 300 120-180 degree dual panel vari-focal White light LED Illuminator c/w Ext Boxed PSU 230Vac input
	WL500/2060	WL 500 20-60 degree dual panel vari-focal White light LED Illuminator c/w Ext Boxed PSU 230Vac input
WL500/50100	WL 500 50-100 degree dual panel vari-focal White light LED Illuminator c/w Ext Boxed PSU 230Vac input	
WL 500/120180	WL 500 120-80 degree dual panel vari-focal White light LED Illuminator c/w Ext Boxed PSU 230Vac input	

* Please note all lamps are supplied with a standard PSU incorporating adjustable power output, photo cell adjustment and a telemetry input (except IR30i range)
 Premium PSU include all of the features of Standard plus following on contact and 12Vdc output. Prices available on request

FIXING BRACKETS FOR IR & WHITE LIGHT LED ILLUMINATORS

	SB1	Single bracket for Top Pan/Tilt mount
	DB2	Dual mounting bracket for Top Pan/Tilt mount
	PB180	Pole bracket for IR 750 for use with C-Allview & C-Dome
	PB360	Pole bracket for IR 750 for use with C-Allview & C-Dome
	PBC-1	Pole clamp mount
	WB1	Wall Bracket - L Bracket

Accessories



PS-201C
1-port Gigabit IEEE 802.3at PoE+ Injector

- 1 Ethernet Input Port (Data Only) + 1 Ethernet Output Port (Data + Power)
- Compliant with IEEE 802.3at , Output Power up to 25W
- Smart Plug and Play



PD-2024
1-port Gigabit IEEE 802.3at PoE+ Splitter

- 1 LAN-In Port (Data + Power) + 1 LAN-Out Port (Data Only)
- Power Detection and Classification
- Compliant with IEEE 802.3at
- Supports 24V output voltage



DC Lead
Multiple output DC Lead
single input 4 outputs



Power Adaptors
TP12.5 12vdc 500ma
TP12.10 12vdc 1amp



BB012 Patch Lead
Ready made 1.2mtr
BNC to BNC patch lead



Power Adaptors
TP12.30 12vdc 3amp
TP12.50 12vdc 5amp



Mini Coax & DC Lead
20mtr & 40mtr Composite Cable



Power Centre
PW101 4 x 1.5 amp PW103 16 x 0.5 amp
PW102 8 x 1.0 amp PW104 16 x 1.0 amp

Accessories

Accessories



BNCCRIMP
RG59 BNC Crimp



BNCTO
RG59 Twist on BNC



PPBNC
BNC plug to phono



BNCSS
Back to back BNC



PSBNC
BNC to phono



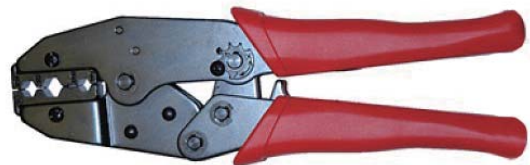
BNCTP
BNC T piece



BNCPP
BNC connector



CABSTRIPPER
BNC Cable Stripper



CRIMPT
Coax Cable Crimp Tool



RG59 Cable
RG59.1 100 mtr roll
RG59.2 200 mtr roll



RG59 DC Cable
RG59DC.1 100 mtr roll
RG59DC.2 250 mtr roll

* Models vary in different countries. Please visit EverFocus regional websites for detailed ordering information

* All product specifications are subject to change without notice

Accessories

Accessories

 <p>TP111VE Mini Video Transceiver BNC Male to screw terminal</p>	 <p>TTP111VEL Mini Video Transceiver with Pigtail</p>	 <p>TTP111VL Video Transceiver With 25cm Mini Coax Cable</p>	 <p>TTP111VPD Video, Power, Data Transceiver (Terminal connection)</p>
 <p>TPP016 16 Port Passive Transceiver Hub In 1U Rack Mounting Panel</p>	 <p>IP01 IP01 is a low cost and easy, speedy solution to allow you use existing coax cable to send IP camera signal</p>	 <p>EP01 The EP01 Easy Passive POE (Power Over Ethernet), uses unused pairs of 100baseT network cable to transmit power to remote</p>	 <p>TTP111VGA Features: VGA connector to shielding RJ45 female*2pcs. Passive, no power need</p>
 <p>SP001 Coaxial Video Surge Protector BNC Connector</p>	 <p>SP001VPD Video, Power, Data Surge Protector</p>	 <p>CD104 108 1 Input 4-8 Output Video Distributor</p>	 <p>GL001 Video Ground Loop Isolator</p>
 <p>TTP111VK Video Balun DIY KIT (TTP111VT + TTP111VL)</p>	 <p>TTP414V 4 Channel Video Transceiver</p>	 <p>TTA111VT+TTA111VR Active Video Twisted Pair Transmission</p>	
 <p>TTA111AVT + TTA111AVR Active Video & Audio & Data Twisted Pair Transmission</p>	 <p>TPA008 - TPA016 8 - 16 Port Active Receiver Hub In 1U Rack Mounting Panel</p>	 <p>TTA414VR Built in 4 port active receivers.</p>	



EverFocus USA - California:

1801 Highland Avenue, Unit A, Duarte,
CA 91010, USA
TEL: +1 626 844 8888
FAX: +1 626 844 8838
www.everfocus.com
sales@everfocus.com

EverFocus USA - New York:

415 Oser Avenue, Unit S, Hauppauge,
NY 11788, USA
TEL: +1 631 436 5070
FAX: +1 631 436 5027
www.everfocus.com
sales@everfocus.com

EverFocus Taiwan:

12F, No.79, Sec. 1, Shin-Tai Wu Road,
Hsi-Chih, Taipei, Taiwan
TEL: +886 2 2698 2334
FAX: +886 2 2698 2380
www.everfocus.com.tw
marketing@everfocus.com.tw

EverFocus Europe - Germany:

Albert-Einstein-Strasse 1, D-46446
Emmerich, Germany
TEL: +49 2822 93940
FAX: +49 2822 939495
www.everfocus.de
info@everfocus.de

EverFocus Europe - UK:

Unit 12, Spitfire Business Park,
Hawker Road, Croydon
Surrey, CR0 4WD
TEL: +44 (0) 20 8649 9757 / 0845 430 9999
FAX: +44 (0) 20 8649 9907
www.everfocus.com
salesuk@everfocus.com

EverFocus China - Beijing:

Room 609, Technology Trade Building,
Shangdi Information Industry Base,
Haidian District, Beijing 100085, China
TEL: +86 10 6297 3336~39
FAX: +86 10 6297 1423
www.everfocus.com.cn
marketing@everfocus.com.cn

EverFocus China - Shenzhen:

4F, No. 2, D4 Building, Wan Yelong
Industrial Park, Tangtou Road, Shiyan,
Baoan, Shenzhen, Guangdong 518101, China
TEL: +86 755 2765 1313
FAX: +86 755 2765 0337
www.everfocus.com.cn
marketing@everfocus.com.cn

EverFocus Japan:

5F, Kinshicho City Building,
2-13-4 Koto-Bashi, Sumida-Ku,
Tokyo, 130-0022, Japan
TEL: +81 3 5625 8188
FAX: +81 3 5625 8189
www.everfocus.co.jp
info@everfocus.co.jp

EverFocus India:

Suite 803, Housefin Bhavan, C-21,
Bandra Kurla Complex, Bandra (East),
Mumbai 400051, India
TEL: +91 22 6128 8700
FAX: +91 22 6128 8705
www.everfocus.in
sales@everfocus.in

